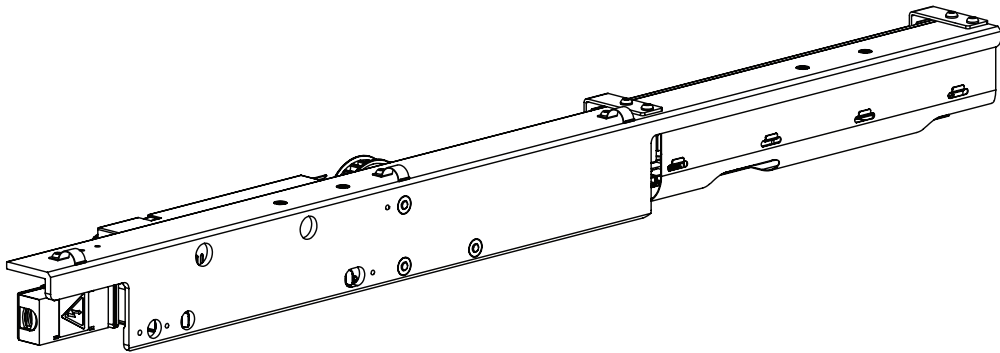




Sliding Door Operator Ditec KS200HD-KS200RG Retrofit Kit



Installation Manual Original instructions

© All rights in and to this material are the sole property of Entrematic Group AB. Copying, scanning, alterations or modifications are expressly forbidden without the prior written consent of Entrematic Group AB. Rights reserved for changes without prior notice.

Backtrack information: folder:Workspace Main, version:a615, Date:2020-09-28 time:09:20:10, state: Frozen

CONTENTS - Original instructions

1	Revision	5
2	Reference	6
3	Tools required	7
4	Mechanical installation	8
4.1	Ditec KS200HD replacement kit for non escape route universal solution	
	Ditec KS200RG replacement kit for escape route universal solution	8
4.1.1	Check the components and kits	8
4.1.2	The IOU (KS902MP) and the battery (KS902BAT2) installation	16
4.1.3	Fix the brackets to the backbone assembly	17
4.1.4	Fix the brackets to the tension wheel	20
4.1.5	Checking and adjusting the belt tension	21
4.1.6	Fix the brackets to the belt lock (option)	22
4.1.6.1	Limited SBL (support beam length) for belt lock	23
4.1.7	Fix the extension plate kit	25
4.1.8	Fix the transmission bracket to the connecting bracket	30
4.1.9	Attachment of slack reducer	31
4.1.10	General rules of the installation	32
4.1.11	List of the adapted door types	34
4.1.12	Adapted door types	36
4.1.12.1	ATS CLIXMASTER	36
4.1.12.2	ATS TSF 2100	37
4.1.12.3	Baumgartner AI-Profil	38
4.1.12.4	Baumgartner steel	39
4.1.12.5	DORMA ES 50	40
4.1.12.6	DORMA ES 55/60	41
4.1.12.7	DORMA ES 70	42
4.1.12.8	DORMA ES 90/100	43
4.1.12.9	DORMA ES 200	44
4.1.12.10	ELDEBE GSX	45
4.1.12.11	EMD	46
4.1.12.12	EMC	47
4.1.12.13	Faiveley 6	48
4.1.12.14	Faiveley 12	49
4.1.12.15	Faiveley 17	50
4.1.12.16	GEZE ECdrive	51
4.1.12.17	GEZE TSA 340	52
4.1.12.18	GEZE TSA 350 N/350 W	53
4.1.12.19	GEZE TSA 360	54
4.1.12.20	GEZE TSA 450	55
4.1.12.21	Gilgen SLK/SLG	56
4.1.12.22	Gilgen SLM/SLP	57
4.1.12.23	HORTON Series 2001	58
4.1.12.24	Manusa PA 80	59
4.1.12.25	Manusa STK	60
4.1.12.26	Manusa Visio	61
4.1.12.27	Portalp 2000B	62
4.1.12.28	Porte Automatique GTS-L/-P	63
4.1.12.29	Porte Automatique GTV	64
4.1.12.30	Record STA7	65
4.1.12.31	Record STA8	66
4.1.12.32	Record STA9/STA10	67
4.1.12.33	Record STA11	68
4.1.12.34	Record STA12/STA14 Steel	69
4.1.12.35	Record STA12/STA14 AL	70
4.1.12.36	Record STA13	71
4.1.12.37	Record STA15	72
4.1.12.38	Record STA16/17	73
4.1.12.39	Record STA19	74
4.1.12.40	Record STA20	75
4.1.12.41	Record STA21	76

	4.1.12.42	Tormax TMP	77
	4.1.12.43	Tormax TX/TM/TMX	78
	4.1.12.44	Tormax TEP/TXP	79
	4.1.12.45	Waldoor EC	80
	4.1.12.46	Waldoor UC	81
	4.1.12.47	Waldoor UWS 800	82
	4.1.12.48	Waldoor UWS 2400	83
	4.1.12.49	Ditec VALOR (escape route)	84
	4.1.12.50	Ditec Bis O	85
	4.1.12.51	Ditec Bis V	86
4.2		Ditec KS800BTX additional bracket kit for Tormax iMotion 2202	87
	4.2.1	Preparing the components	87
	4.2.2	Preparing	89
	4.2.3	The IOU (KS902MP) and the battery (KS902BAT2) installation	90
	4.2.4	Fix the nuts and screws on the drive unit kit and the main control assembly	91
	4.2.5	Fix the drive unit kit and the main control assembly	95
	4.2.6	Fix the tension wheel assembly	96
	4.2.7	Fix the transmission brackets	97
	4.2.8	Placement of the transmission brackets	98
	4.2.9	Attachment of the tooth belt	99
	4.2.10	Checking and adjusting the belt tension	100
	4.2.11	Bi-parting operators	101
	4.2.12	Attachment of slack reducer	102
	4.2.13	Install the belt lock (KSFB3LOCK) (option)	103
4.3		KS800BGZ additional bracket kit for GEZE Slimdrive SL NT	104
	4.3.1	Preparing the components	104
	4.3.2	Preparing	106
	4.3.3	Exchange the extension beams	107
	4.3.4	Fix the PSU (power supply unit) and drive unit kit	108
	4.3.5	Fix the mounting plate and MCU (control unit)	111
	4.3.6	IOU (KS902MP) and the battery (KS902BAT2) installation	112
	4.3.7	Fix the tension wheel assembly	113
	4.3.8	Fix the transmission brackets	114
	4.3.9	Placement of the transmission brackets	115
	4.3.10	Attachment of the tooth belt	116
	4.3.11	Checking and adjusting the belt tension	117
	4.3.12	Bi-parting operators	118
	4.3.13	Attachment of slack reducer	119
	4.3.14	Install the belt lock (KSFB4LOCK) (option)	120
	4.3.15	Fix the cable bracket	121

1 Revision

The following pages have been revised:

Page	Revision 2.0 → 3.0
	Added DD motor image.
	Changed "ISO 14583 (MRT-TT)" to "DIN 7500".
6	Added more text in Reference.
12	Updated the quantity for parts.
16	Added new picture for removing L bracket.

2 Reference

If there is an electromechanical lock in the operator the existing lock has to be exchanged to a belt lock, unless the operator is a Ditec operator then use the existing lock.

3 Tools required

- Allen key 6 mm with spherical tip
- Torx (T10, T20 and T30)
- Phillips screw driver
- Multi/Wire cutter
- Spanner 10mm
- Tape measuring tool

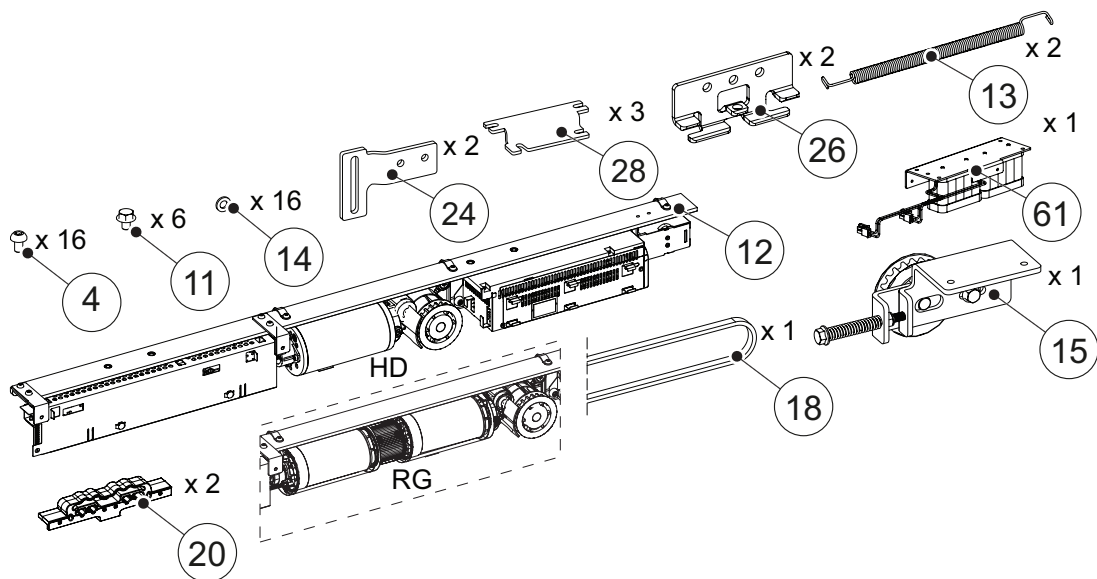
4 Mechanical installation

4.1 Ditec KS200HD replacement kit for non escape route universal solution Ditec KS200RG replacement kit for escape route universal solution

Note! Following are the common steps for connecting components, please refer to cross-view for each adapted door type.

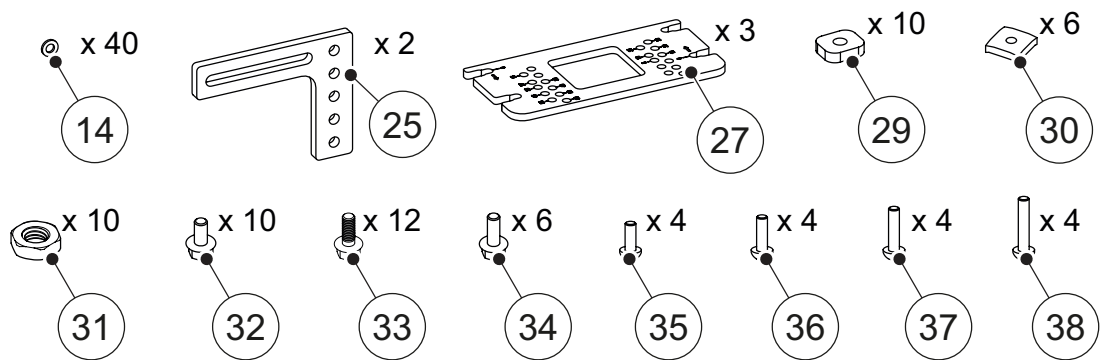
4.1.1 Check the components and kits

Check the components (Universal)



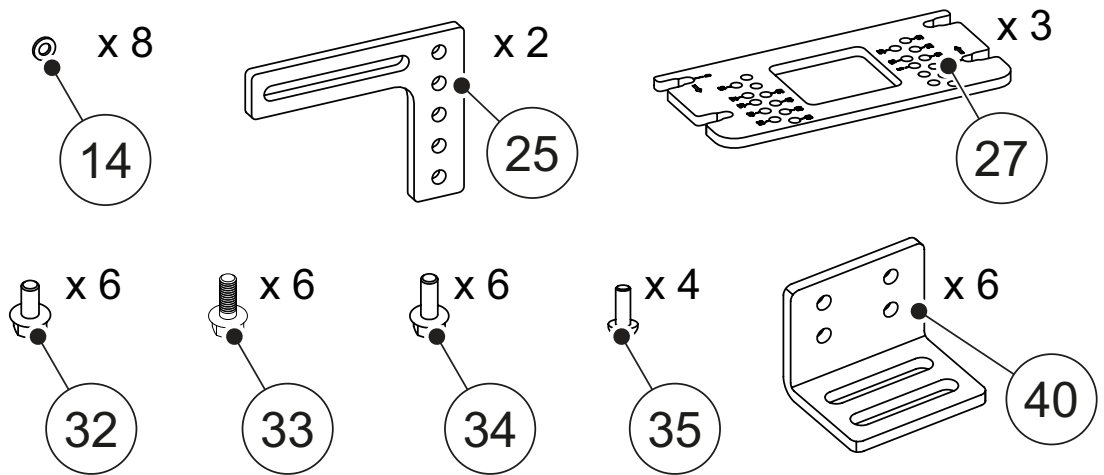
- 4 Screw: DIN 7500 M6x10
- 11 Screw: DIN 6921 (M6SF) M6x8
- 12 Backbone assembly
- 13 Slack reducer (Not needed if belt lock equipped)
- 14 Washer: ISO 7089 (BRB) 6.4x12x1.5
- 15 Tension wheel assembly
- 18 Tooth belt
- 20 Belt clamp
- 24 Connecting bracket
- 26 Transmission bracket
- 28 Mounting bracket
- 61 Battery (standard component only on KS200RG)

Check KS800B1 kit



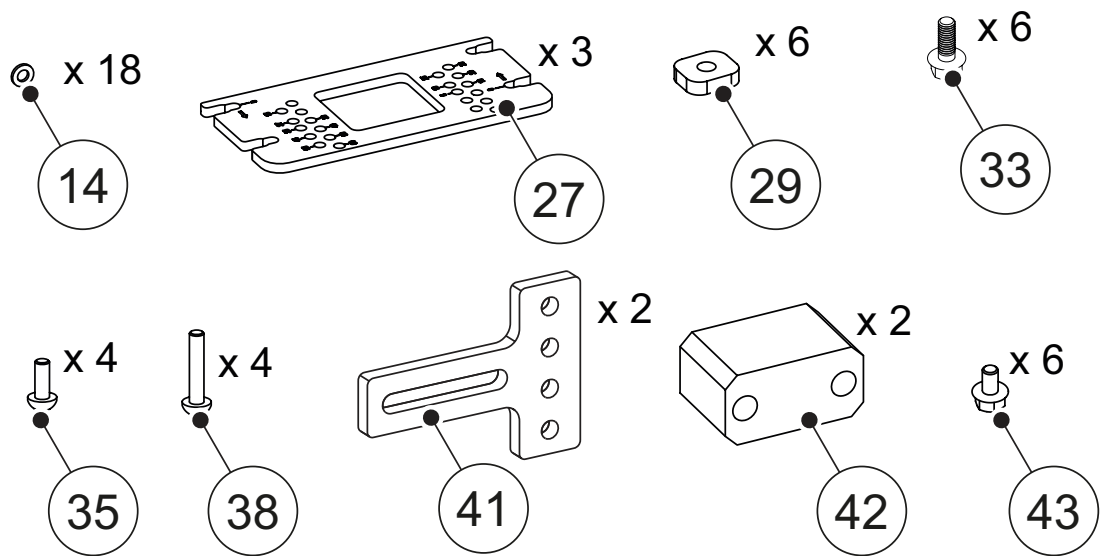
- 14 Washer: ISO 7089 (BRB) 6.4x12x1.5 FZB
- 25 Bracket 1
- 27 Mounting plate
- 29 Square nut: M6
- 30 Nut: M6
- 31 Nut: ISO 4035 (ML6M) M6 FZB
- 32 Screw: DIN 6921 (M6SF) M6x12
- 33 Screw: DIN 6921 (M6SF) M6x14
- 34 Screw: DIN 6921 (M6SF) M6x16
- 35 Screw: DIN 7500 M6x16
- 36 Screw: DIN 7500 M6x20
- 37 Screw: DIN 7500 M6x25
- 38 Screw: DIN 7500 M6x35

Check KS800B2 kit



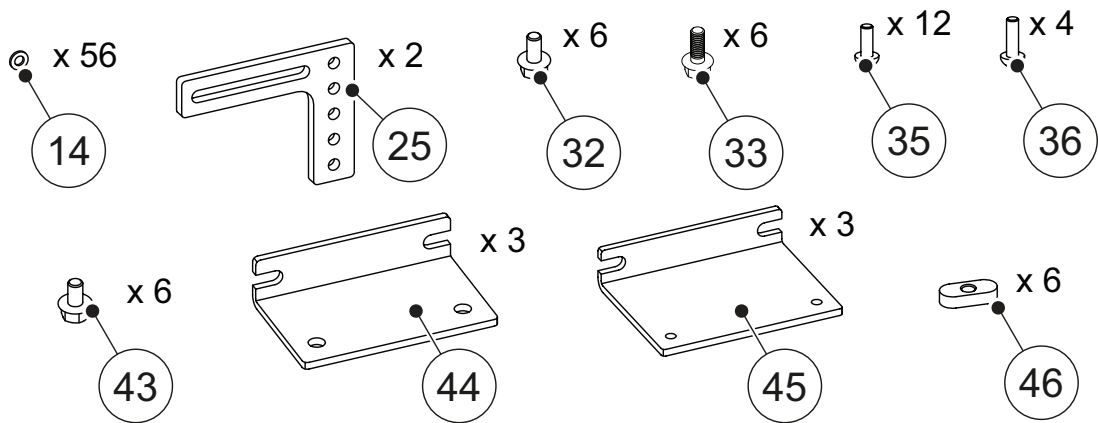
- 14 Washer: ISO 7089 (BRB) 6.4x12x1.5 FZB
- 25 Bracket 1
- 27 Mounting plate
- 32 Screw: DIN 6921 (M6SF) M6x12
- 33 Screw: DIN 6921 (M6SF) M6x14
- 34 Screw: DIN 6921 (M6SF) M6x16
- 35 Screw: DIN 7500 M6x16
- 40 Bracket 2

Check KS800B3 kit



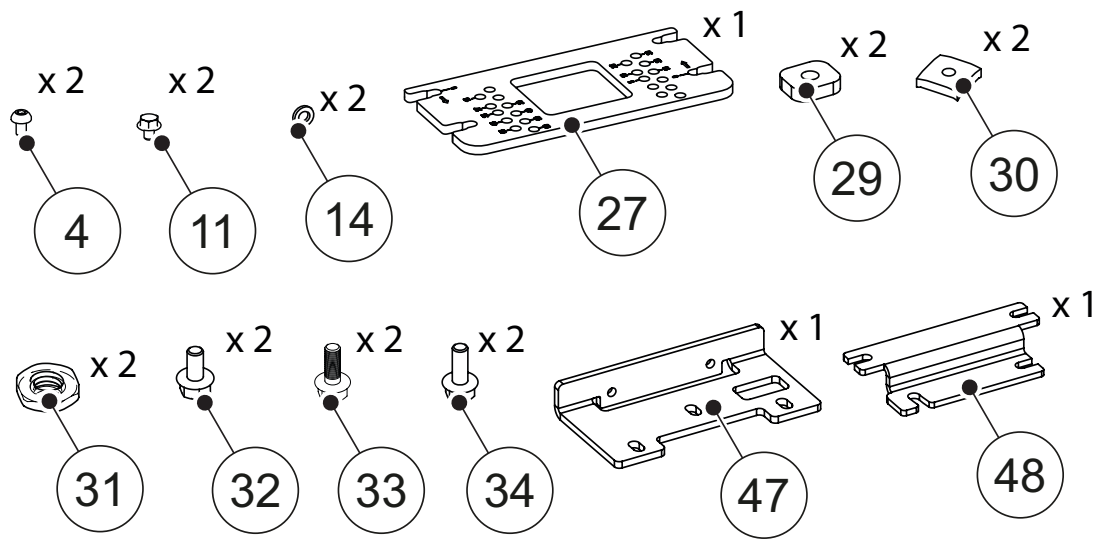
- 14 Washer: ISO 7089 (BRB) 6.4x12x1.5 FZB
- 27 Mounting plate
- 29 Square nut: M6
- 33 Screw: DIN 6921 (M6SF) M6x14
- 35 Screw: DIN 7500 M6x16
- 38 Screw: DIN 7500 M6x35
- 41 Bracket 3
- 42 Spacer block
- 43 Screw: DIN 6921 (M6SF) M6x10

Check KS800B4 kit



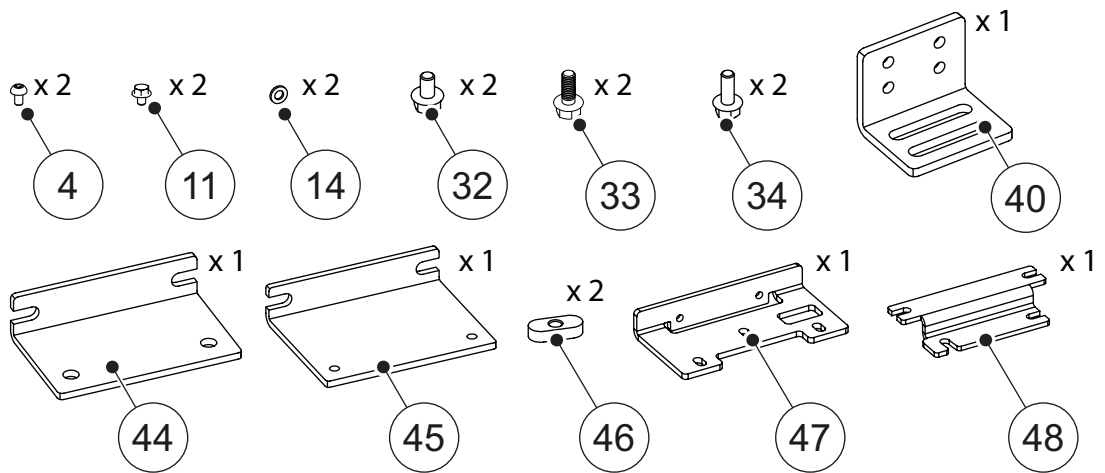
- 14 Washer: ISO 7089 (BRB) 6.4x12x1.5 FZB
- 25 Bracket 1
- 32 Screw: DIN 6921 (M6SF) M6x12
- 33 Screw: DIN 6921 (M6SF) M6x14
- 35 Screw: DIN 7500 M6x16
- 36 Screw: DIN 7500 M6x20
- 43 Screw: DIN 6921 (M6SF) M6x10
- 44 Bracket 4
- 45 Bracket 5
- 46 Nut: M6

Check belt lock fixing bracket kit KSFB1LOCK



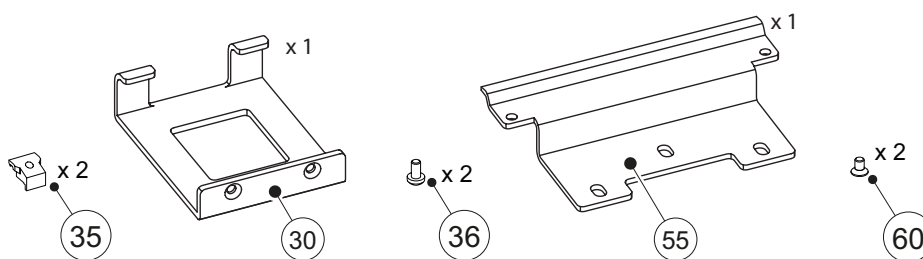
- 4 Screw: DIN 7500 M6x10
- 11 Screw: DIN 6921 (M6SF) M6x8
- 14 Washer: ISO 7089 (BRB) 6.4x12x1.5 FZB
- 27 Mounting plate
- 29 Square nut: M6
- 30 Nut: M6
- 31 Nut: ISO 4035 (ML6M) M6 FZB
- 32 Screw: DIN 6921 (M6SF) M6x12
- 33 Screw: DIN 6921 (M6SF) M6x14
- 34 Screw: DIN 6921 (M6SF) M6x16
- 47 Fixing bracket
- 48 Mounting bracket

Check belt lock fixing bracket kit KSFB2LOCK



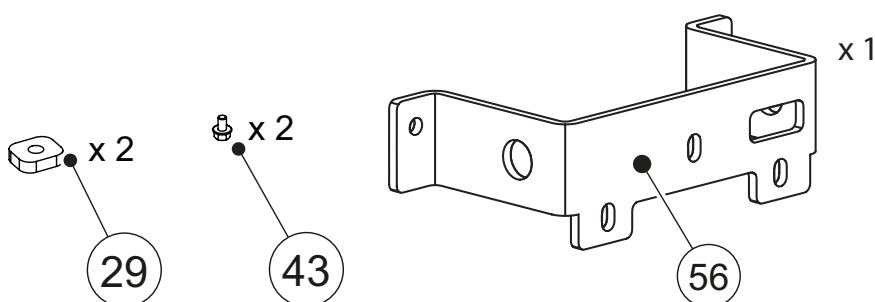
- 4 Screw: DIN 7500 M6x10
- 11 Screw: DIN 6921 (M6SF) M6x8
- 14 Washer: ISO 7089 (BRB) 6.4x12x1.5 FZB
- 33 Screw: DIN 6921 (M6SF) M6x14
- 34 Screw: DIN 6921 (M6SF) M6x16
- 40 Bracket 2
- 43 Screw: DIN 6921 (M6SF) M6x10
- 44 Bracket 4
- 45 Bracket 5
- 46 Nut: M6
- 47 Fixing bracket
- 48 Mounting bracket

Check belt lock fixing bracket kit KSFB3LOCK



- 35 Nut: M5
- 30 Belt guide
- 36 Screw: DIN 7500 M5x10
- 55 Fixing bracket (belt lock) TORMAX iMotion 2202
- 60 Screw: ISO 7046 (MFTS) M3x5

Check belt lock fixing bracket kit KSFB4LOCK



- 29 Square nut: M6
- 43 Screw: DIN 6921 (M6SF) M6x10
- 56 Fixing bracket (belt lock) GEZE Slimdrive SL NT

4.1.2 The IOU (KS902MP) and the battery (KS902BAT2) installation

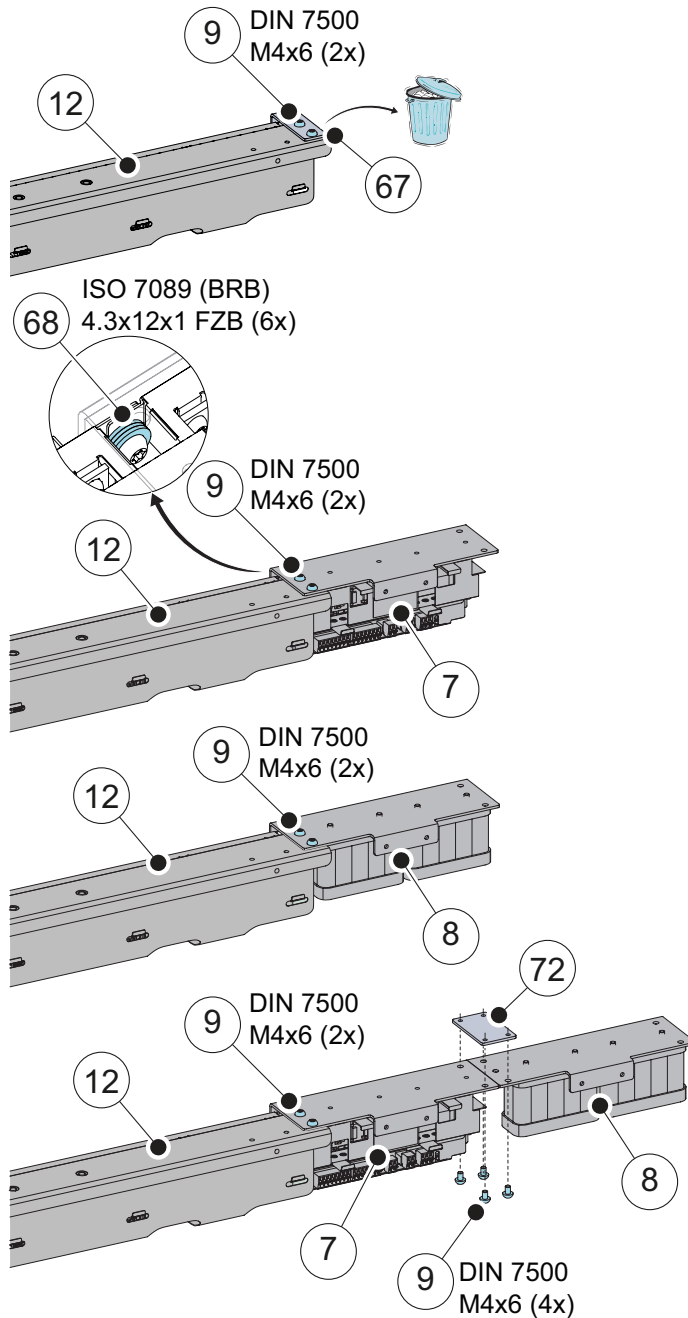
Note! Select IOU when using bi-stable lock.

Remove the L bracket (67) from the backbone assembly (12), keep the screws (9).

Fix the IOU (7) to the backbone assembly (12) with the screws (9). Fasten the MCU and IOU (7) with the same screw (68).

If there is no IOU fix the battery (8) to the backbone assembly (12) with the screws (9).

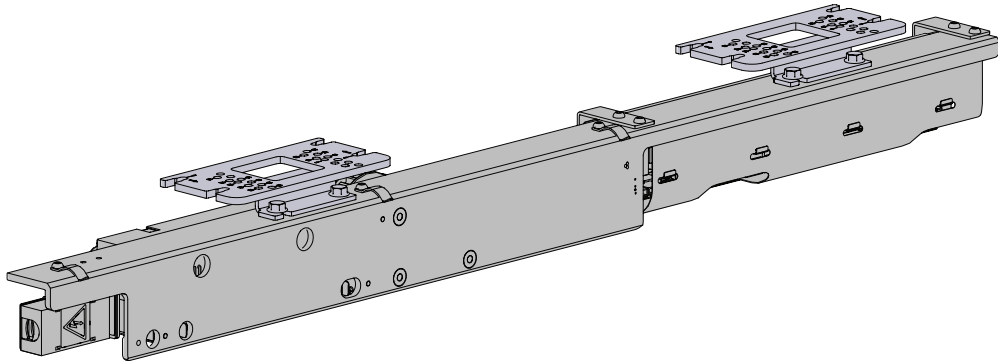
If there is an IOU (7) use connecting bracket (72) to fix the battery (8) to the IOU (7) with the screws (9).



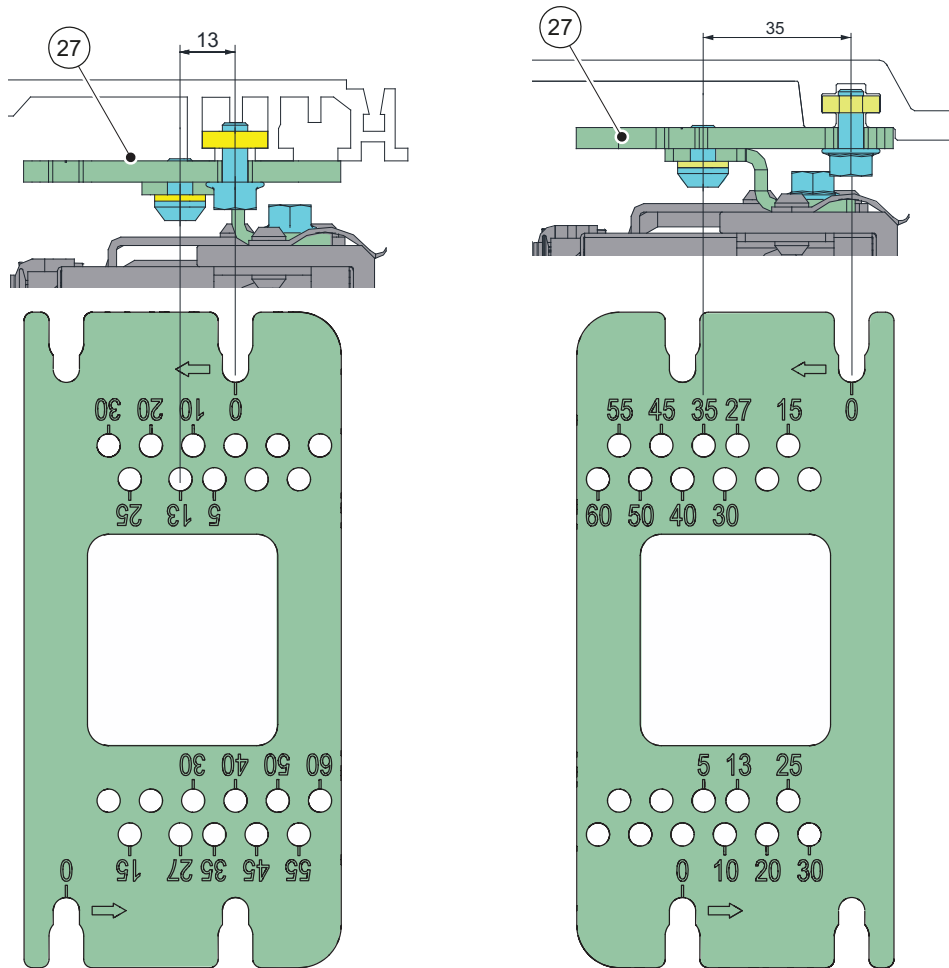
- | | |
|-----------------------|-----------------------|
| 7 IOU (KS902MP) | 67 L bracket |
| 8 Battery (KS902BAT2) | 68 Washer |
| 9 Screw | 72 Connecting bracket |
| 12 Backbone assembly | |

4.1.3 Fix the brackets to the backbone assembly

The brackets in the picture is only an example, please choose the suitable brackets for the specified operator.

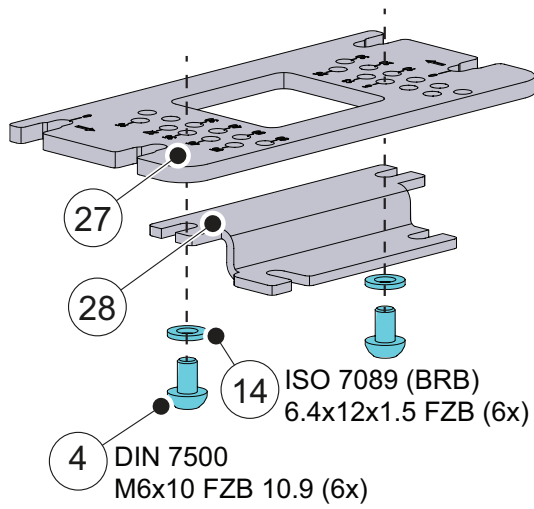


- a How to install the mounting plate. Please refer to the dimension on the surface of mounting plate (27) firstly. For measurement see drawing to respectively operator.



27 Mounting plate

- b Assemble the mounting plate (27) and mounting bracket (28) with the washers (14) and screws (4).



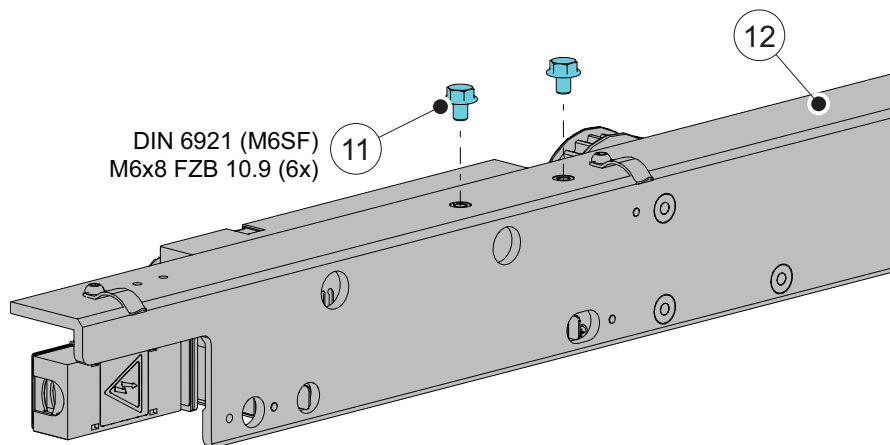
4 Screw

14 Washer

27 Mounting plate

28 Mounting bracket

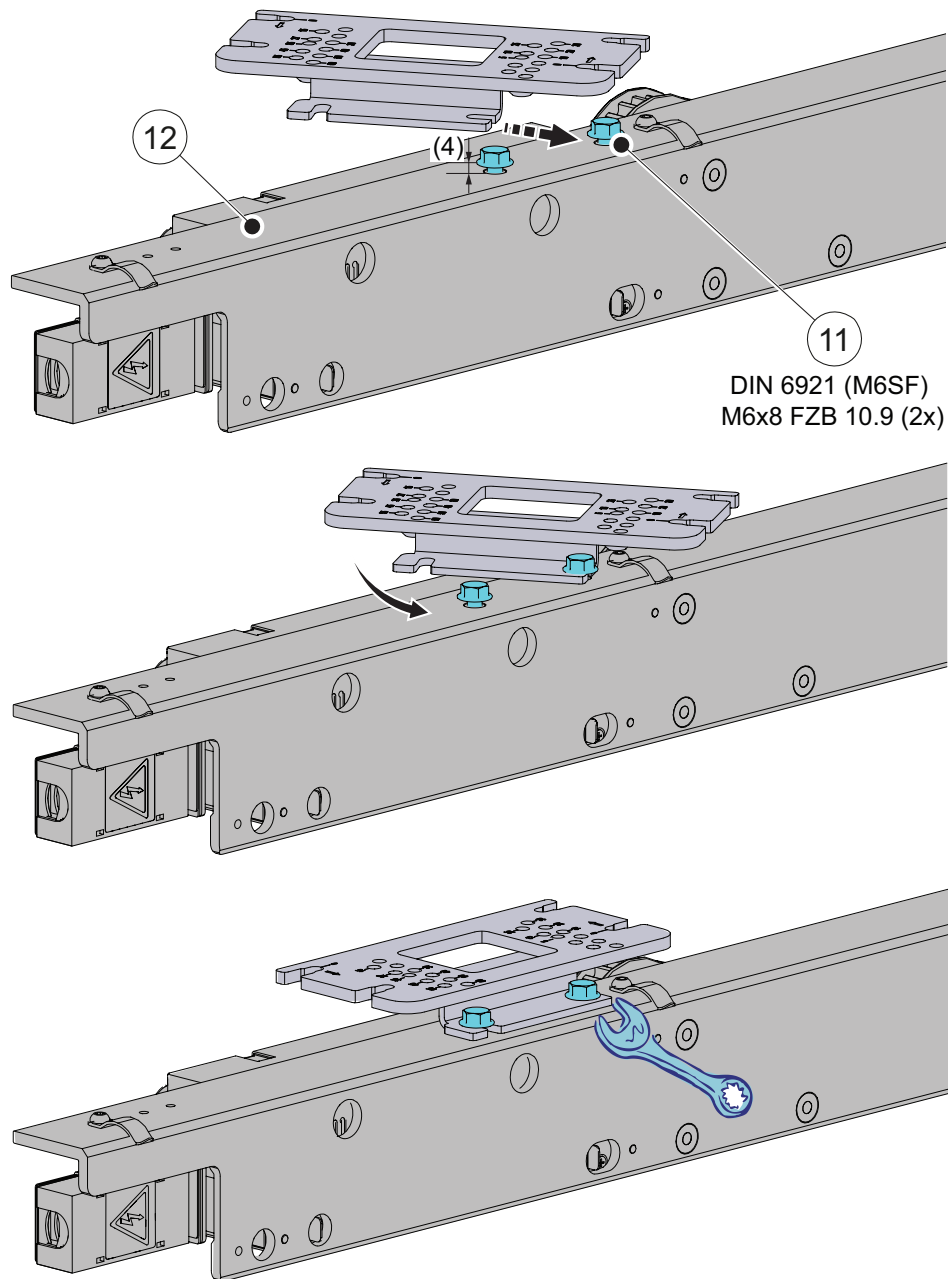
- c Fix two screws (11) to the backbone assembly (12), don't tighten the screws (11).



11 Screw

12 Backbone assembly

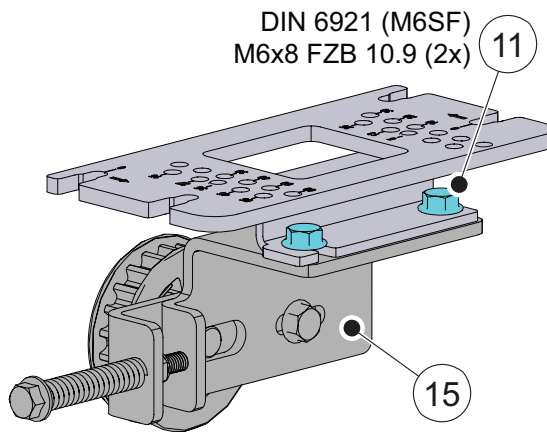
- d Fix the brackets to the backbone assembly (12), then tighten the screws (11) with a torque of 8 Nm.



- 11 Screw
12 Backbone assembly

4.1.4 Fix the brackets to the tension wheel

Fix the brackets to the tension wheel assembly (15) in the same way as 4.1.3 .



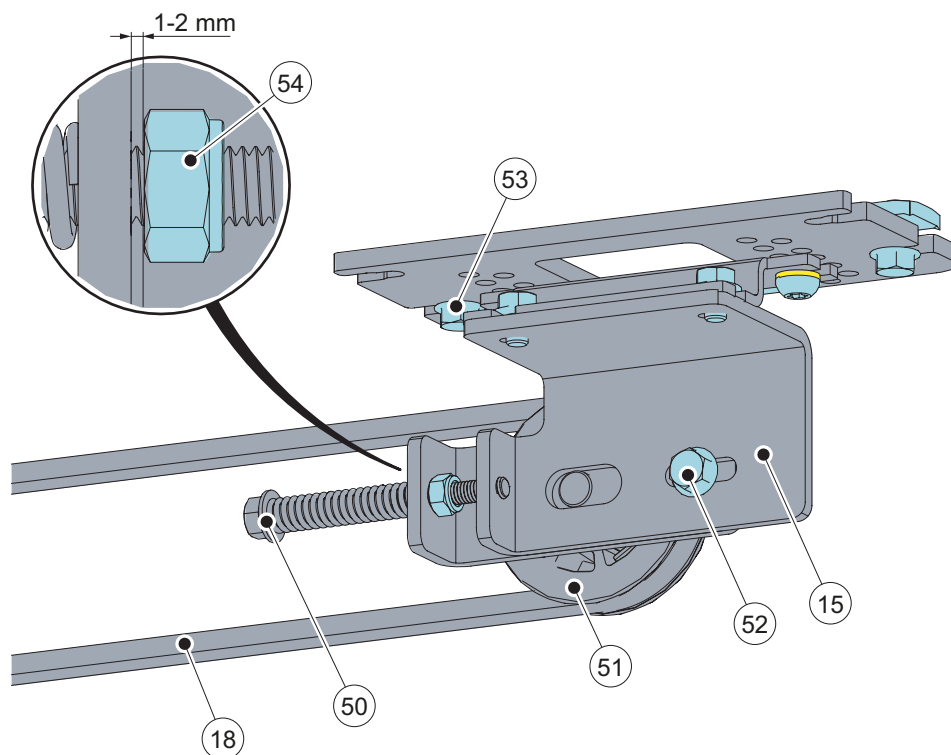
11 Screw

15 Tension wheel assembly

4.1.5 Checking and adjusting the belt tension

- a Loosen the fixing screw (52) without removing it.
- b Screw the adjustment screw (50) to its outmost position.
- c Tension the tooth belt (49) by pulling the tension wheel assembly (15) by hand. Tighten the screws (53) with a **torque of 10 Nm**.
- d Tighten the adjustment screw (50) until there is a gap of approx. 1-2 mm between the lock nut (54) and the bracket according to illustration below, but not further. Be sure not to overtighten, otherwise the adjustment screw (50) might damage the tension wheel (51).
- e Retighten the fixing screw (52) with a **torque of 10 Nm**.

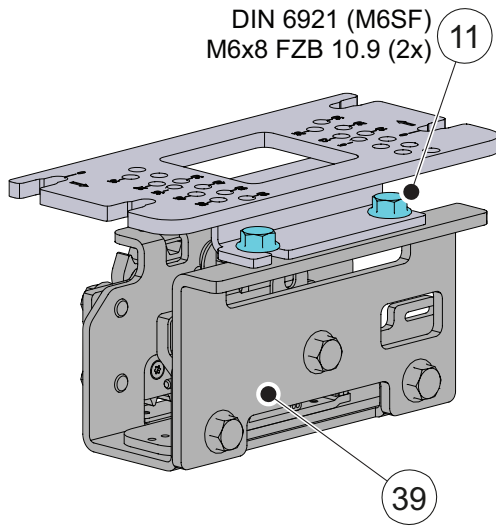
Note! Do not make any adjustment on the lock nut (54).



- 15 Tension wheel assembly
- 18 Tooth belt
- 50 Adjustment screw
- 51 Tension wheel
- 52 Fixing screw
- 53 Screws
- 54 Lock nut

4.1.6 Fix the brackets to the belt lock (option)

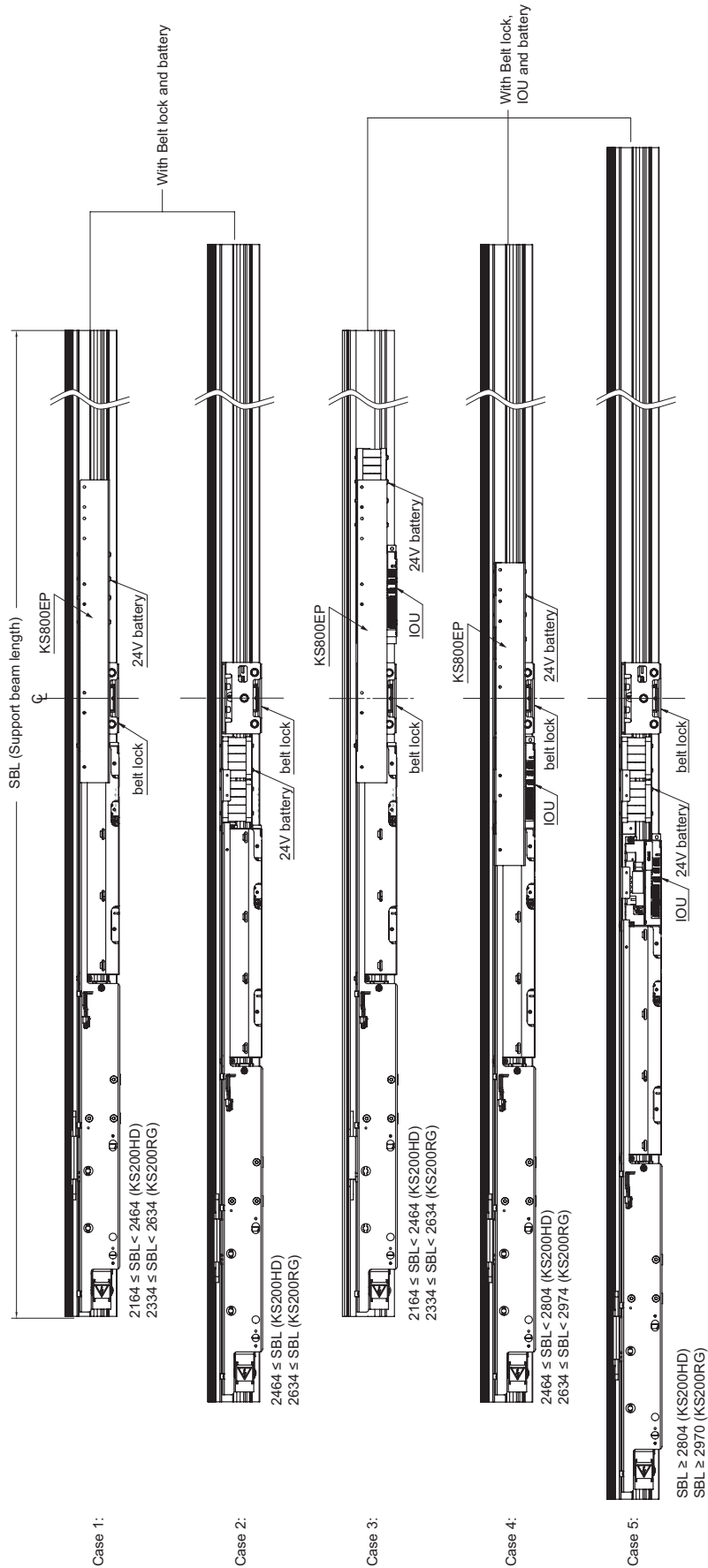
Fix the brackets to the belt lock (39) in the same way as 4.1.3.



- 11 Screw
- 39 Belt lock

Limited SBL (support beam length) for belt lock

Bi-parting door (the belt lock is installed in the middle)



Case 1/3/4: Need to order the extension plate kit (Article: KS800EP), please refer to the installation on page 25.

Case 3: Need to order the extension cable for IOU (Article: DAS800CMP).

Note! For the single opening right door, the belt lock is installed on the right side close to the backbone.

Bi-parting door (the belt lock is installed on the right side of the beam)

Note! Please refer to belt lock installation drawing (1019443).

2100 mm \leq SBL \leq 2164 mm (KS200HD)

2270 mm \leq SBL \leq 2334 mm (KS200RG)

Opening right door

Note! Belt lock is installed on the right side of the beam for following SBL. Please refer to belt lock installation drawing (1019443).

SBL < 2100 mm (KS200HD)

SBL < 2300 mm (KS200RG)

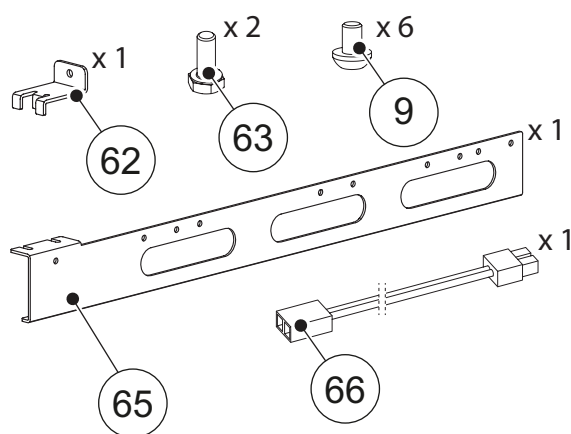
Opening left door

Note! Please refer to belt lock installation drawing (1019443).

No limitations.

4.1.7 Fix the extension plate kit

Note! The Extension plate is only needed when a belt lock shall be fitted in a door with small COW.

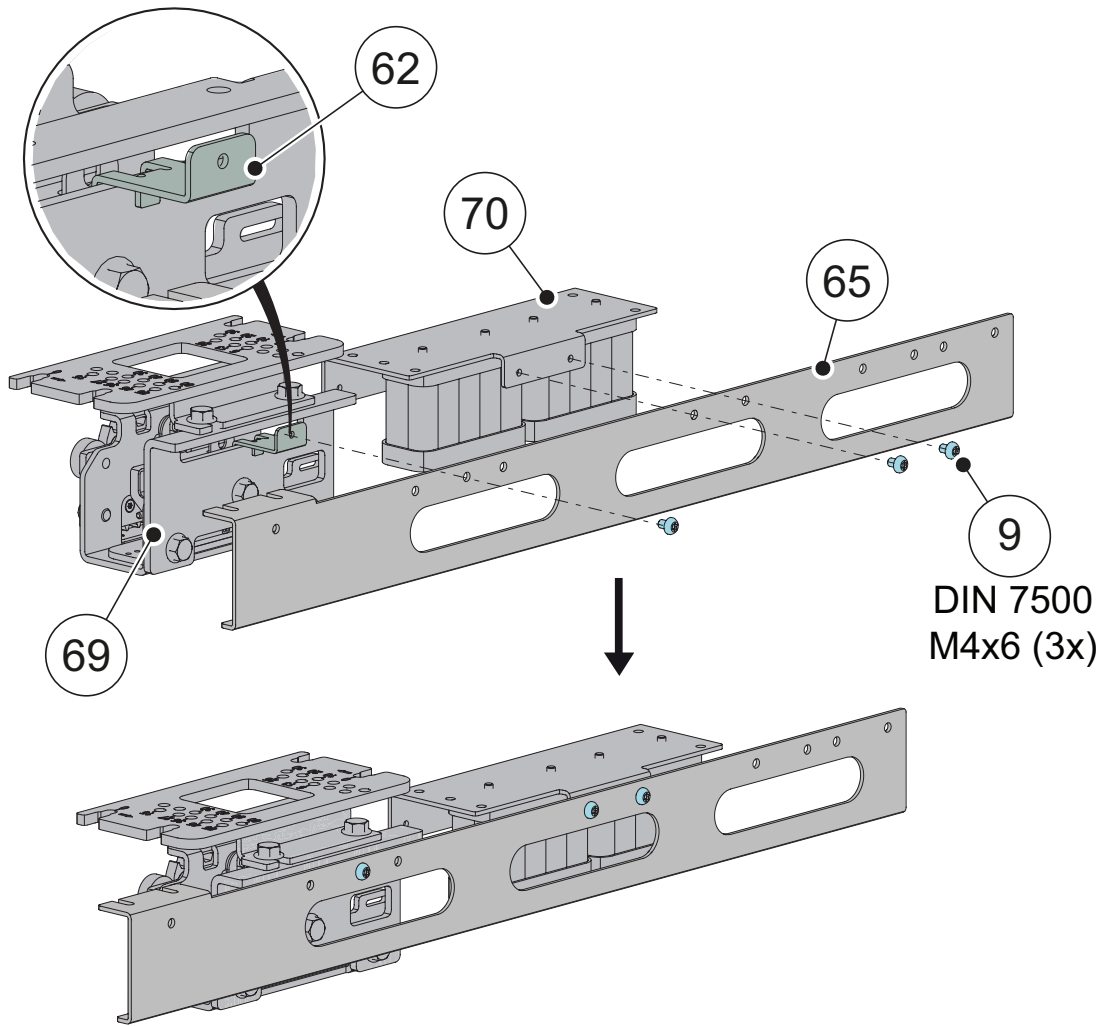
Check the components

- 9 Screw: DIN 7500 M4x6
- 62 Holding bracket
- 63 Screw: ISO 4014 (M6S) M4x10

- 65 Extension plate
- 66 Wiring harness

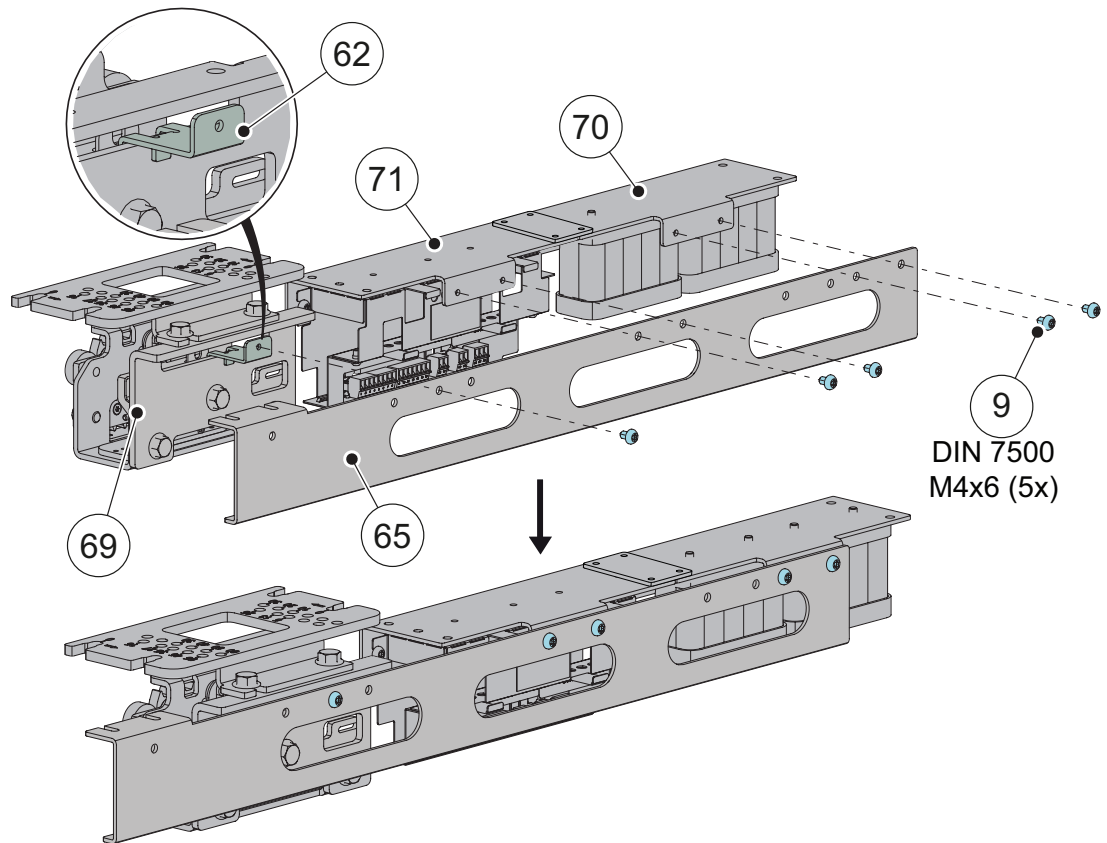
Fix IOU, battery and belt lock to extension plate

Case 1



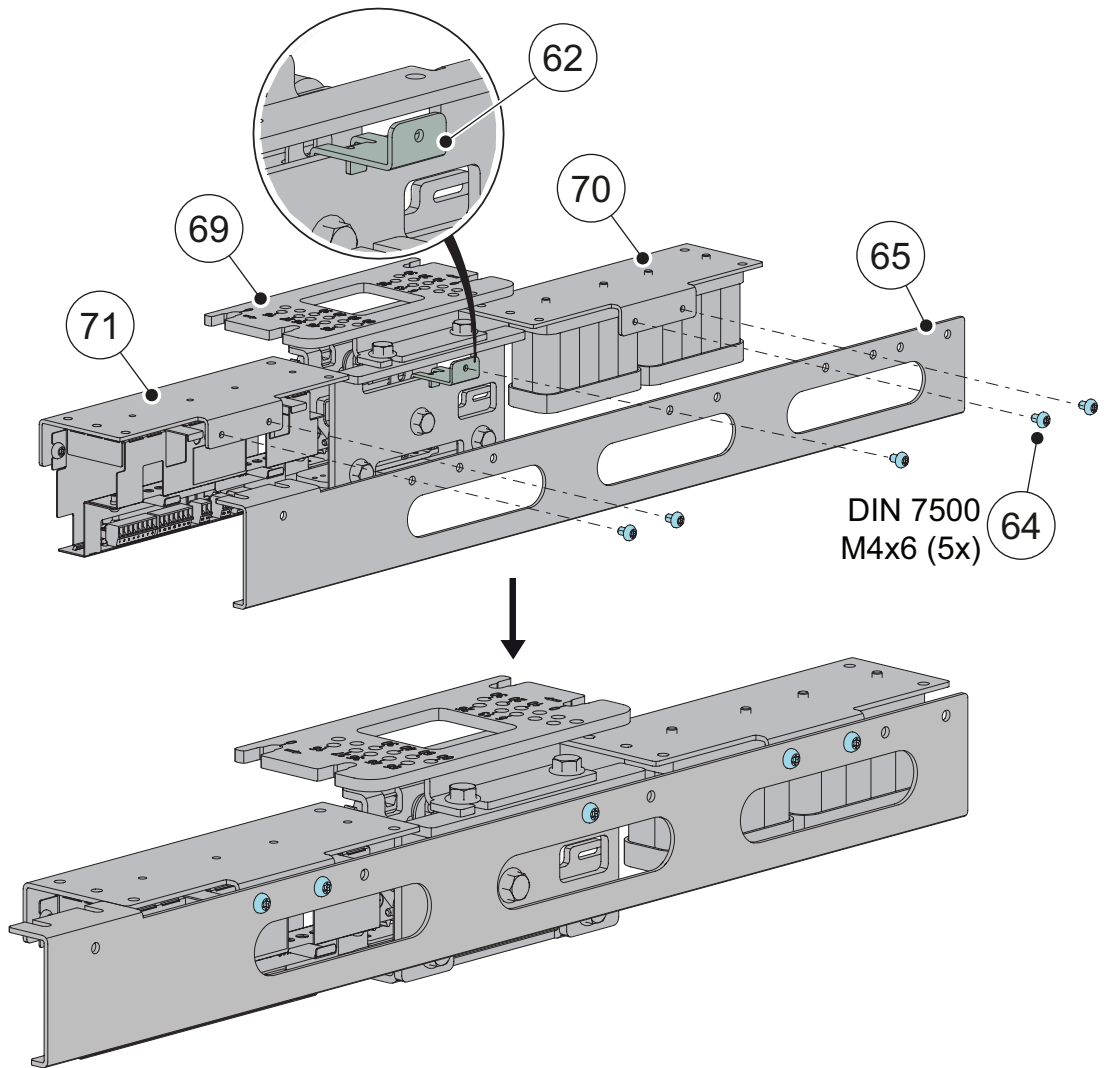
- 9 Screw
- 62 Holding bracket
- 65 Extension plate
- 69 Belt lock
- 70 Battery

Case 3

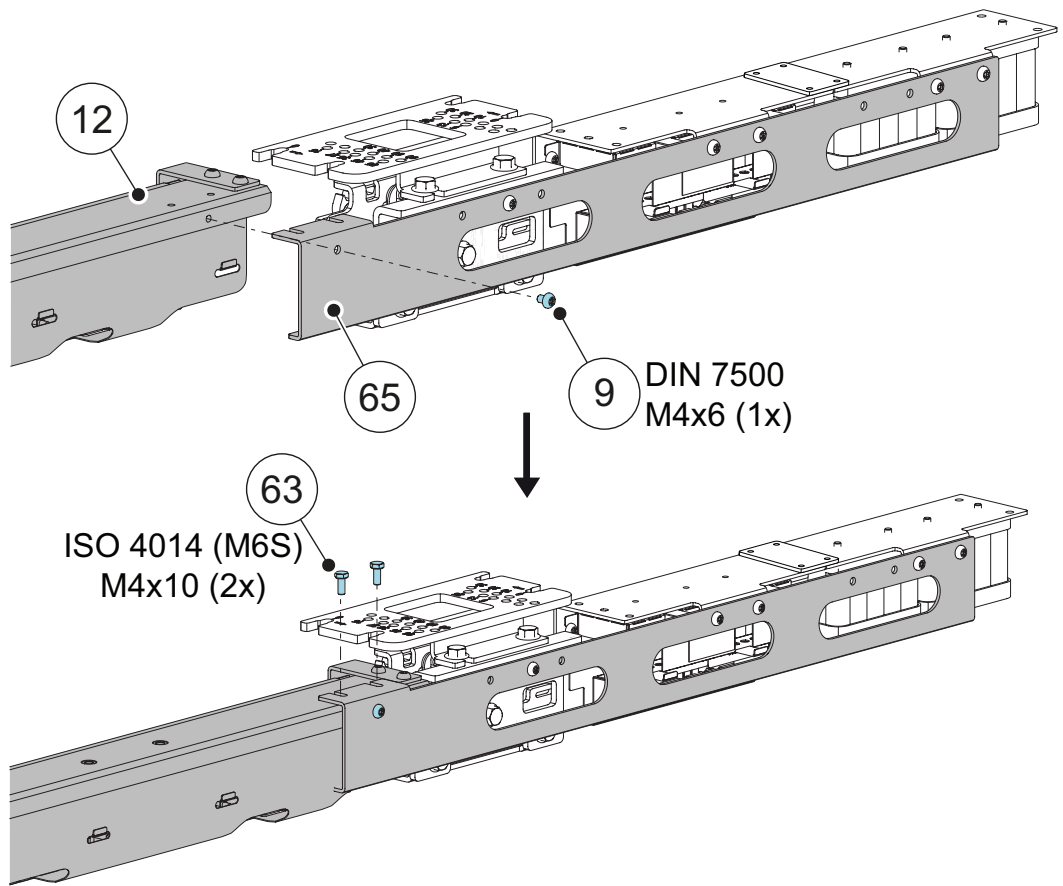


- | | | | |
|----|-----------------|----|-----------|
| 9 | Screw | 69 | Belt lock |
| 62 | Holding bracket | 70 | Battery |
| 65 | Extension plate | 71 | IOU |

Case 4



- | | | | |
|----|-----------------|----|-----------|
| 9 | Screw | 69 | Belt lock |
| 62 | Holding bracket | 70 | Battery |
| 65 | Extension plate | 71 | IOU |

Install the extension plate kit to the backbone

9 Screw

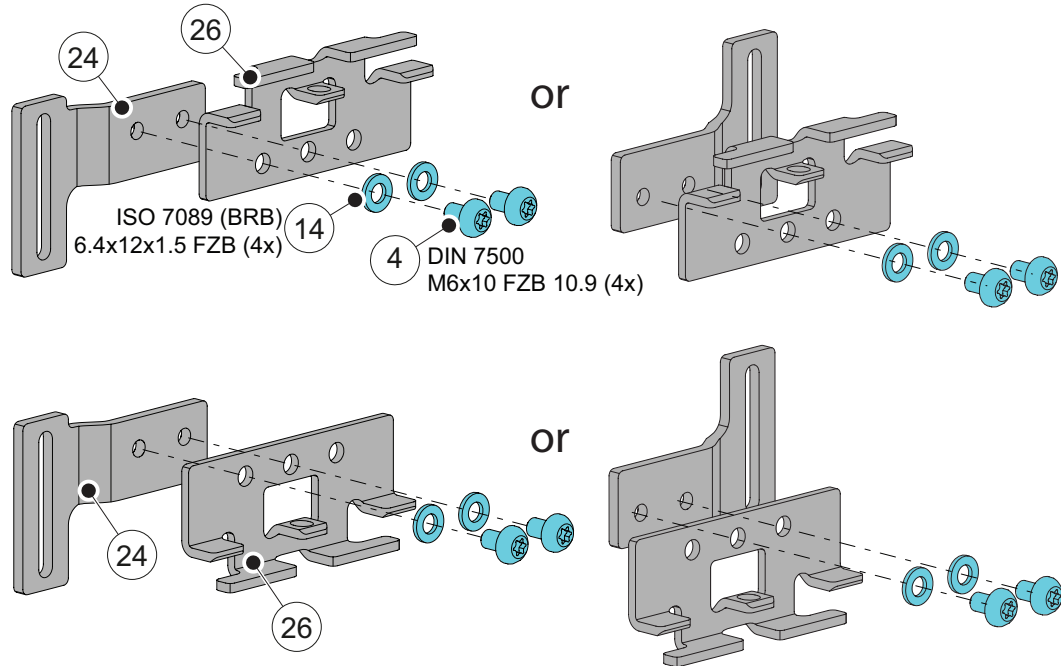
12 Backbone assembly

63 Screw

65 Extension plate

4.1.8 Fix the transmission bracket to the connecting bracket

- a Fix the transmission bracket (26) to the connecting bracket (24) with the screws (4) and washers (14).



- 4 Screw
- 14 Washer

- 24 Connecting bracket
- 26 Transmission bracket

4.1.9 Attachment of slack reducer

Attach the slack reducer between the eighth and ninth belt tooth on each side of the low transmission bracket. If two slack reducers are needed put the second slack reducer in the same way under the upper transmissions bracket.

Note! Slack reducer not needed if belt lock equipped.

Single doors

If the belt length is more than 4700 mm, there shall be one slack reducer.

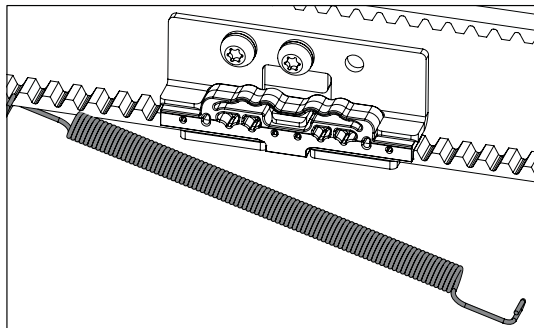
Double doors

If the belt length is more than 5700 mm, there shall be two slack reducers.

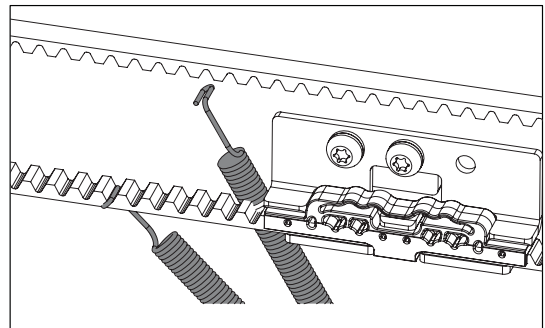
In all other cases

In all other cases, then above, there will not be any slack reducers in the operator.

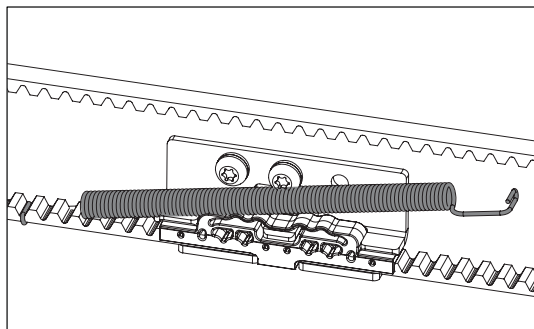
①



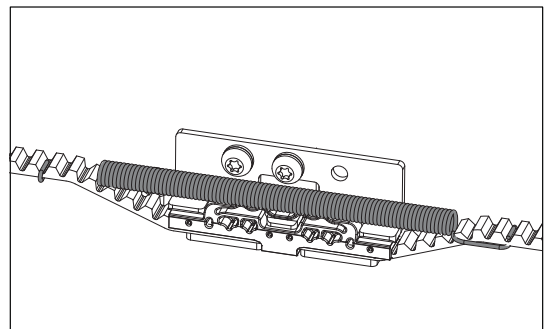
②



③



④



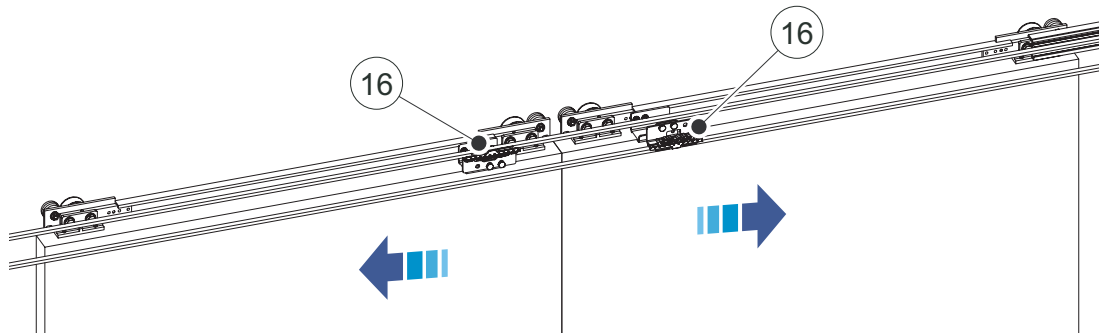
4.1.10 General rules of the installation

Position of the belt connecting to the transmission brackets.

Bi-parting opening

The transmission bracket (16) on the left door leaf shall be connected to the **upper** belt.

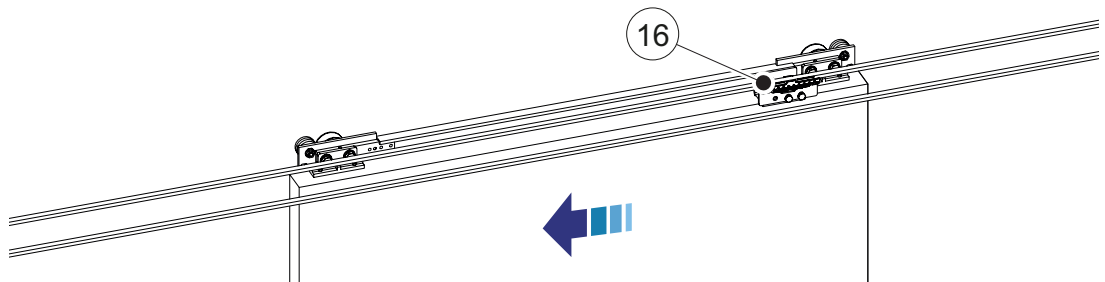
The transmission bracket (16) on the right door leaf shall be connected to the **lower** belt.



16 Transmission bracket

Single left opening

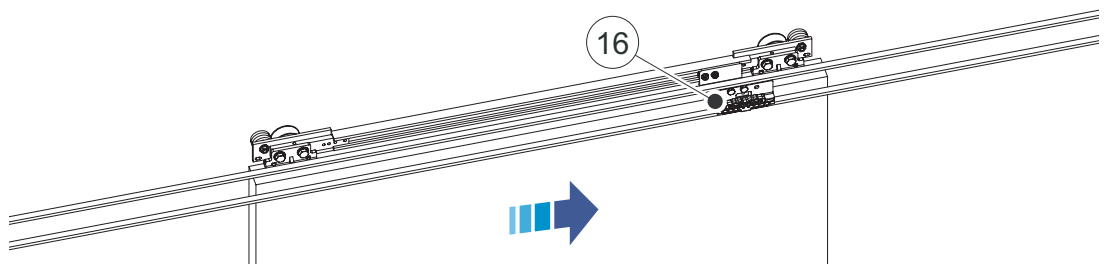
The transmission bracket (16) shall be connected to the **upper** belt.



16 Transmission bracket

Single right opening

The transmission bracket (16) shall be connected to the **lower** belt.



16 Transmission bracket

For electrical connection, start up and parameter setting, please refer to DAS200 Installation Manual using the following QR code.



<https://www.ditecentrematic.com/Entrematic/ditecentrematicCOM/QR/Multilanguages/DAS200/DitecDAS200.pdf>

4.1.11 List of the adapted door types

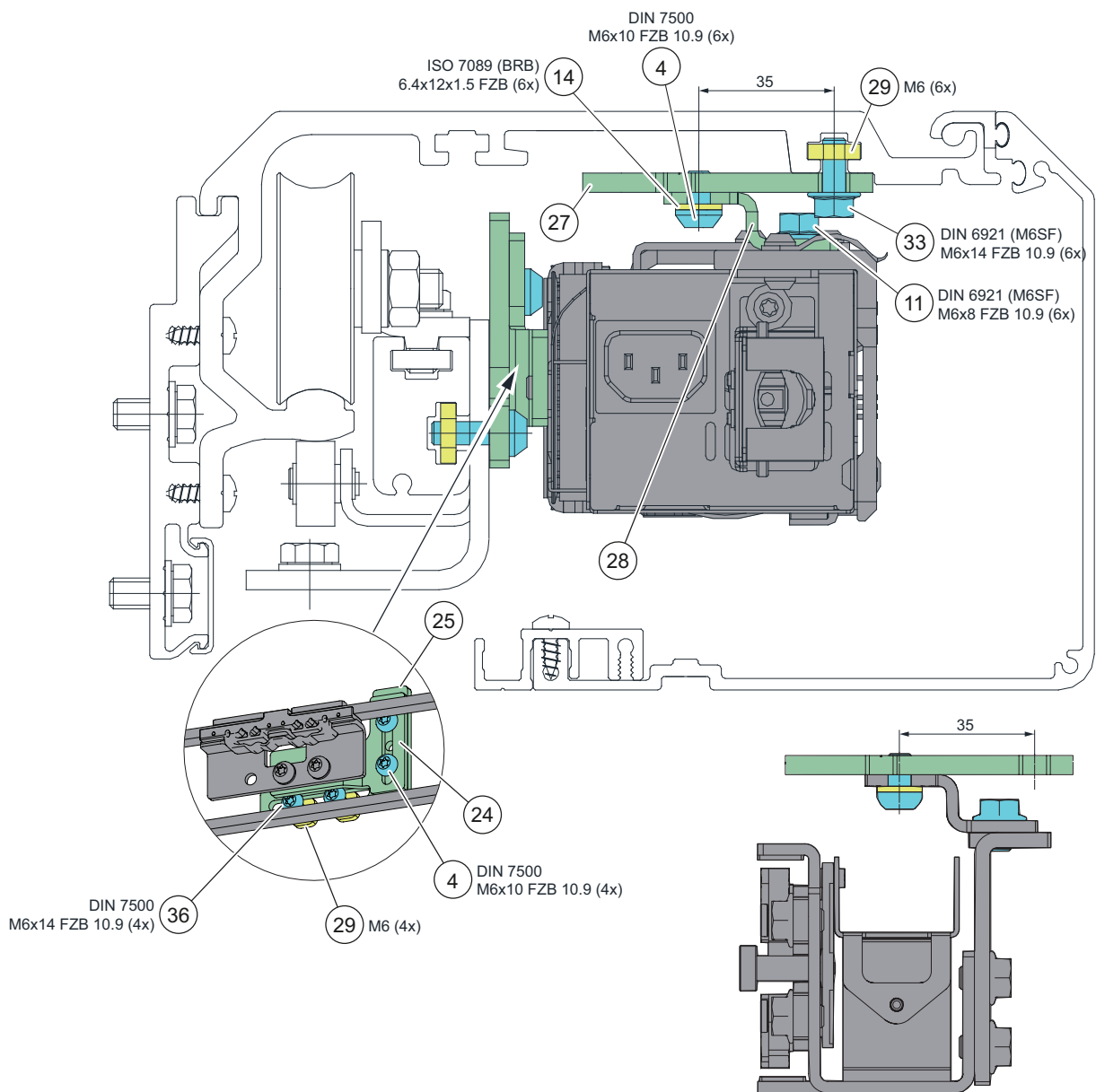
Item	Operator Brand&Type	Page	Bracket kit	Belt lock fixing bracket kit
1	ATS CLIXMASTER	36	KS800B1	KSFB1LOCK
2	ATS TSF 2100	37	KS800B1	
3	Baumgartner Al-Profil	38	KS800B1	
4	Baumgartner steel	39	KS800B2	
5	DORMA ES 50	40	KS800B1	
6	DORMA ES 55/60	41	KS800B1	
7	DORMA ES 70	42	KS800B1	
8	DORMA ES 90/100	43	KS800B1	
9	DORMA ES 200	44	KS800B3	
10	ELDEBE GSX	45	KS800B1	
11	EMD	46	KS800B1	
12	EMC	47	KS800B1	
13	Faiveley 6	48	KS800B1	
14	Faiveley 12	49	KS800B1	
15	Faiveley 17	50	KS800B1	
16	GEZE ECdrive	51	KS800B3	
17	GEZE TSA 340	52	KS800B1	
18	GEZE TSA 350 N/350 W	53	KS800B1	
19	GEZE TSA 360	54	KS800B1	
20	GEZE TSA 450	55	KS800B1	
21	Gilgen SLK/SLG	56	KS800B1	
22	Gilgen SLM/SLP	57	KS800B1	
23	HORTON Series 2001	58	KS800B1	
24	Manusa PA 80	59	KS800B1	
25	Manusa STK	60	KS800B1	
26	Manusa Visio	61	KS800B4	KSFB2LOCK
27	Portalp 2000B	62	KS800B2	KSFB1LOCK
28	Porte Automatiche GTS-L/-P	63	KS800B1	
29	Porte Automatiche GTV	64	KS800B1	
30	Record STA7	65	KS800B2	
31	Record STA8	66	KS800B2	
32	Record STA9/STA10	67	KS800B1	
33	Record STA11	68	KS800B1	
34	Record STA12/STA14 Steel	69	KS800B1	KSFB2LOCK
35	Record STA12/STA14 AL	70	KS800B4	
36	Record STA13	71	KS800B1	KSFB1LOCK
37	Record STA15	72	KS800B1	
38	Record STA16/17	73	KS800B1	

Item	Operator Brand&Type	Page	Bracket kit	Belt lock fixing bracket kit
39	Record STA19	74	KS800B4	KSFB2LOCK
40	Record STA20	75	KS800B4	
41	Record STA21	76	KS800B4	
42	Tormax TMP	77	KS800B1	KSFB1LOCK
43	Tormax TX/TM/TMX	78	KS800B1	
44	Tormax TEP/TXP	79	KS800B1	
45	Waldoor EC	80	KS800B1	KSFB2LOCK
46	Waldoor UC	81	KS800B2	
47	Waldoor UWS 800	82	KS800B1	KSFB1LOCK
48	Waldoor UWS 2400	83	KS800B4	KSFB2LOCK
49	Ditec VALOR (escape route)	84	KS800B1	KSFB1LOCK
50	Ditec Bis O	85	KS800B2	KSFB1LOCK
51	Ditec Bis V	86	KS800B2	

4.1.12 Adapted door types

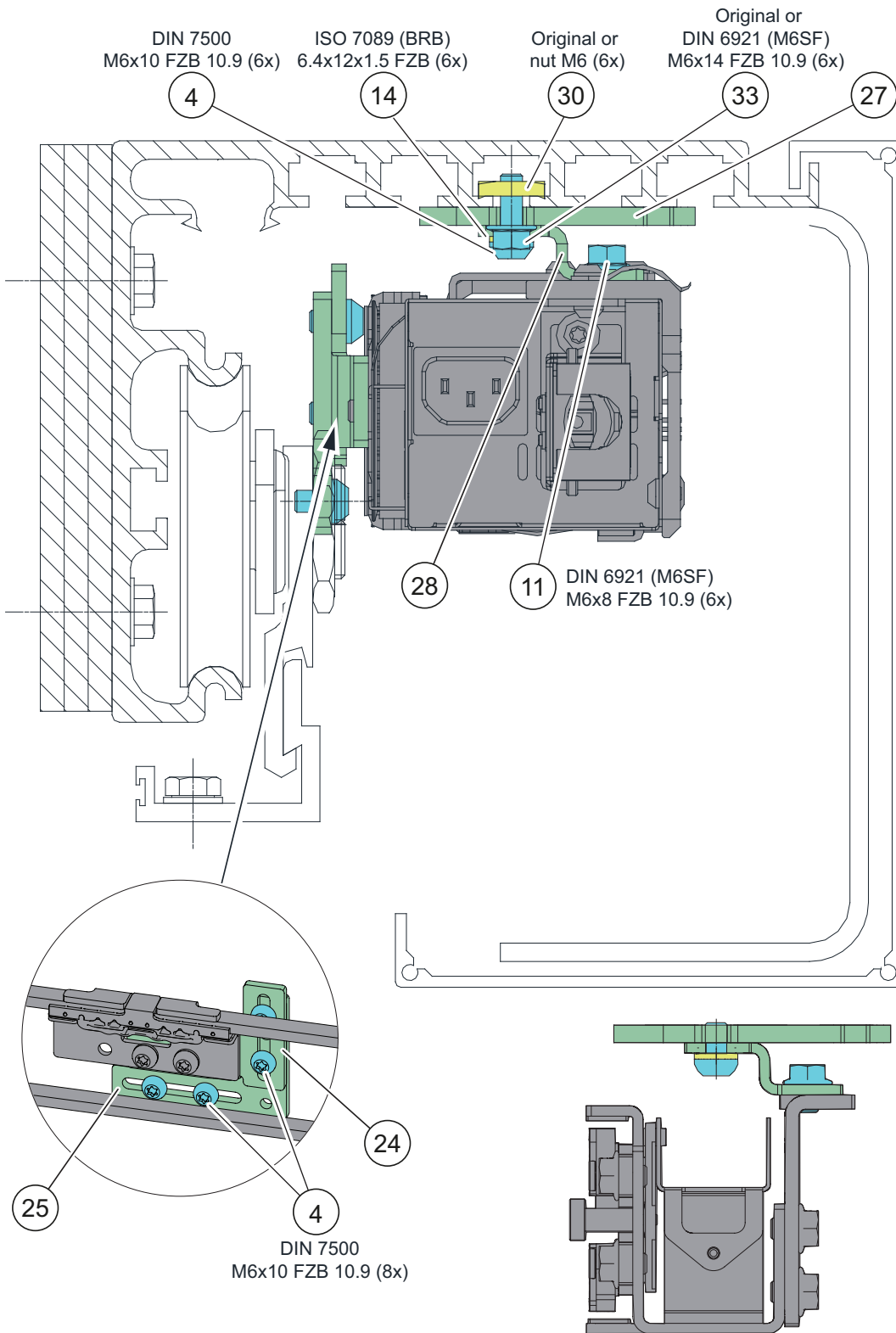
Note! Original nuts and bolts can be reused.

ATS CLIXMASTER



- | | | | |
|----|--------------------|----|------------------|
| 4 | Screw | 27 | Mounting plate |
| 11 | Screw | 28 | Mounting bracket |
| 14 | Washer | 29 | Nut |
| 24 | Connecting bracket | 36 | Screw |
| 25 | Bracket 1 | | |

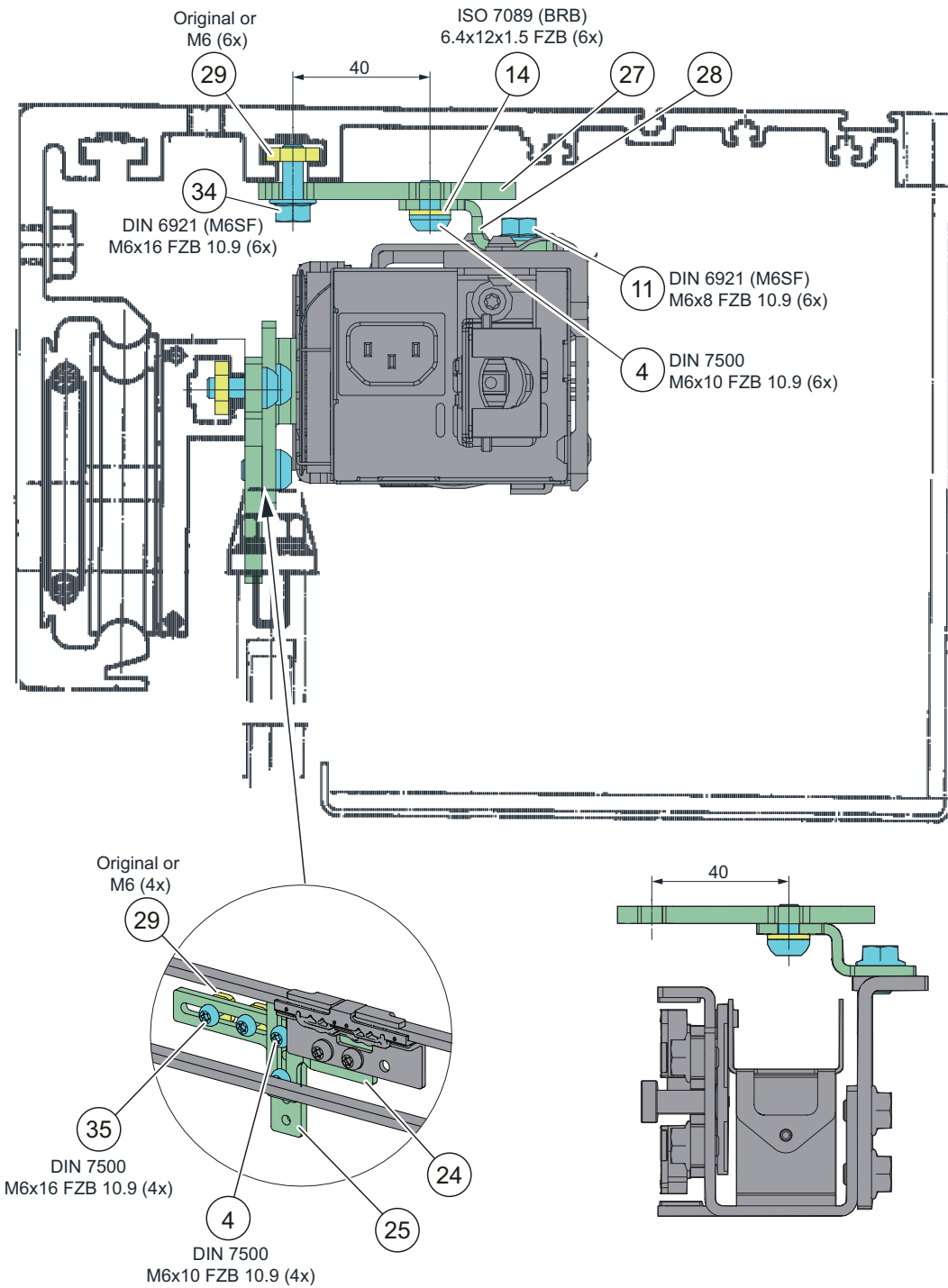
ATS TSF 2100



- 4 Screw
- 11 Screw
- 14 Washer
- 24 Connecting bracket
- 25 Bracket 1

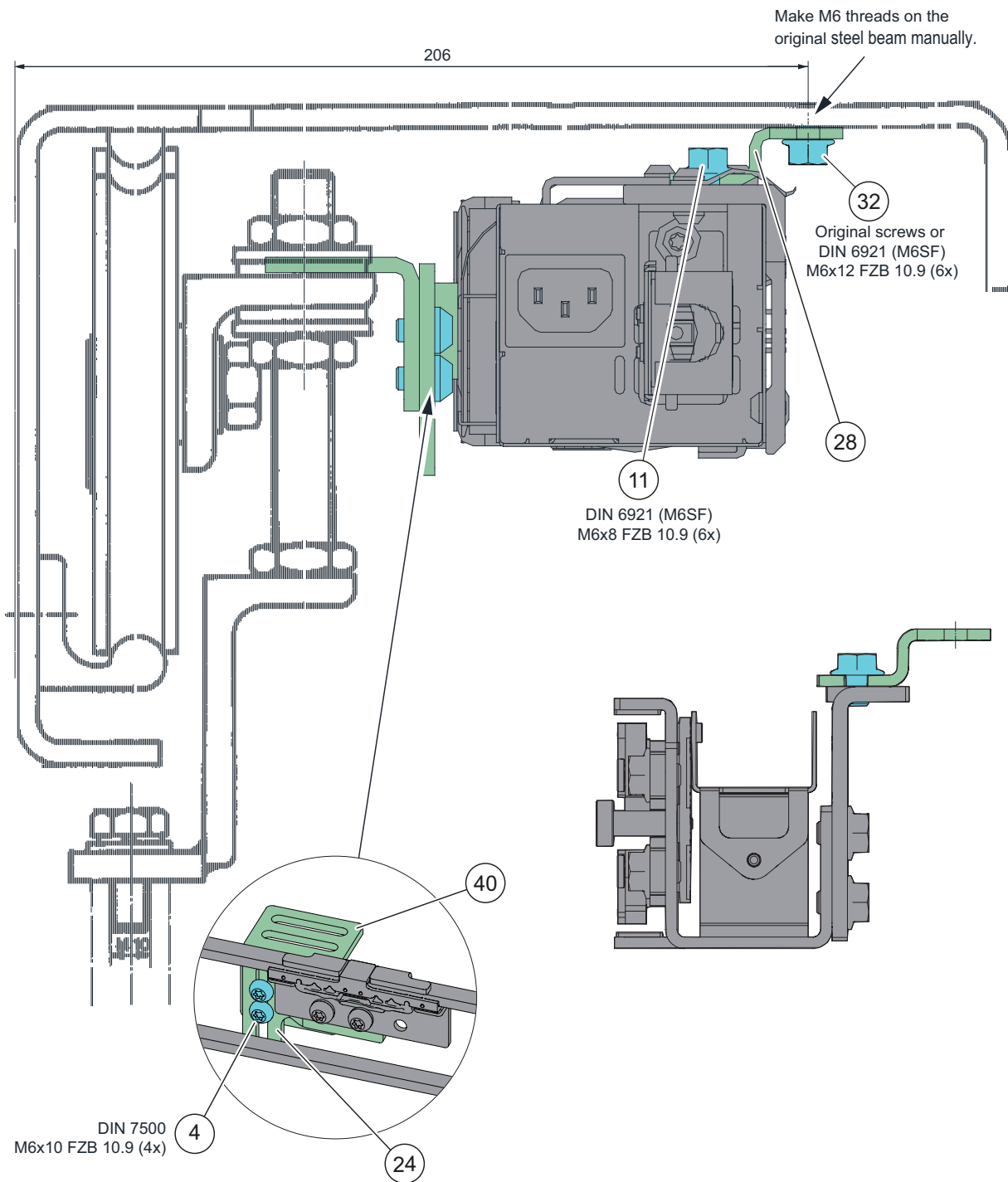
- 27 Mounting plate
- 28 Mounting bracket
- 30 Nut
- 33 Screw

Baumgartner AI-Profil



- | | | | |
|----|--------------------|----|------------------|
| 4 | Screw | 27 | Mounting plate |
| 11 | Screw | 28 | Mounting bracket |
| 14 | Washer | 29 | Square nut |
| 24 | Connecting bracket | 34 | Screw |
| 25 | Bracket 1 | 35 | Screw |

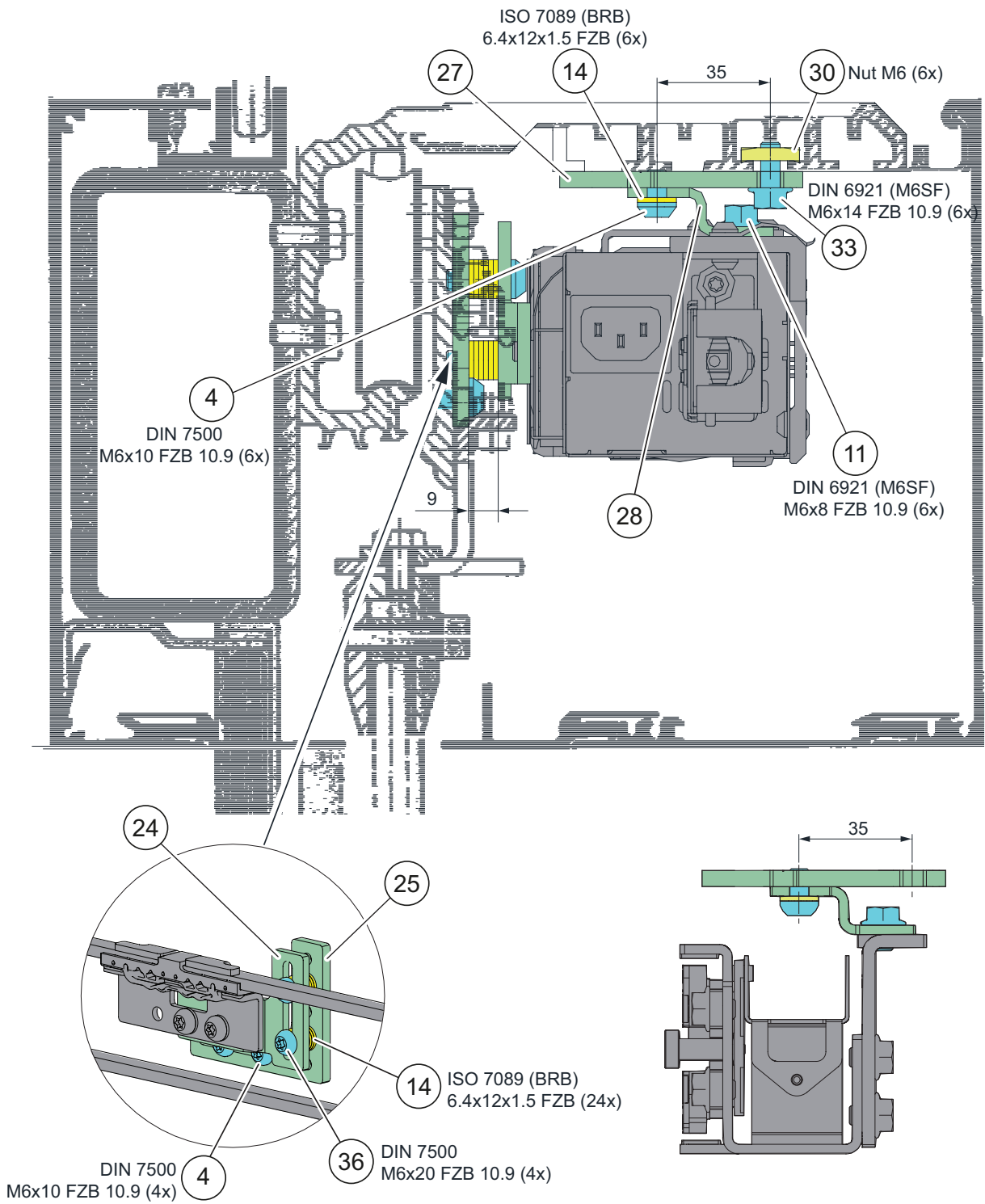
Baumgartner steel



- 4 Screw
- 11 Screw
- 24 Connecting bracket

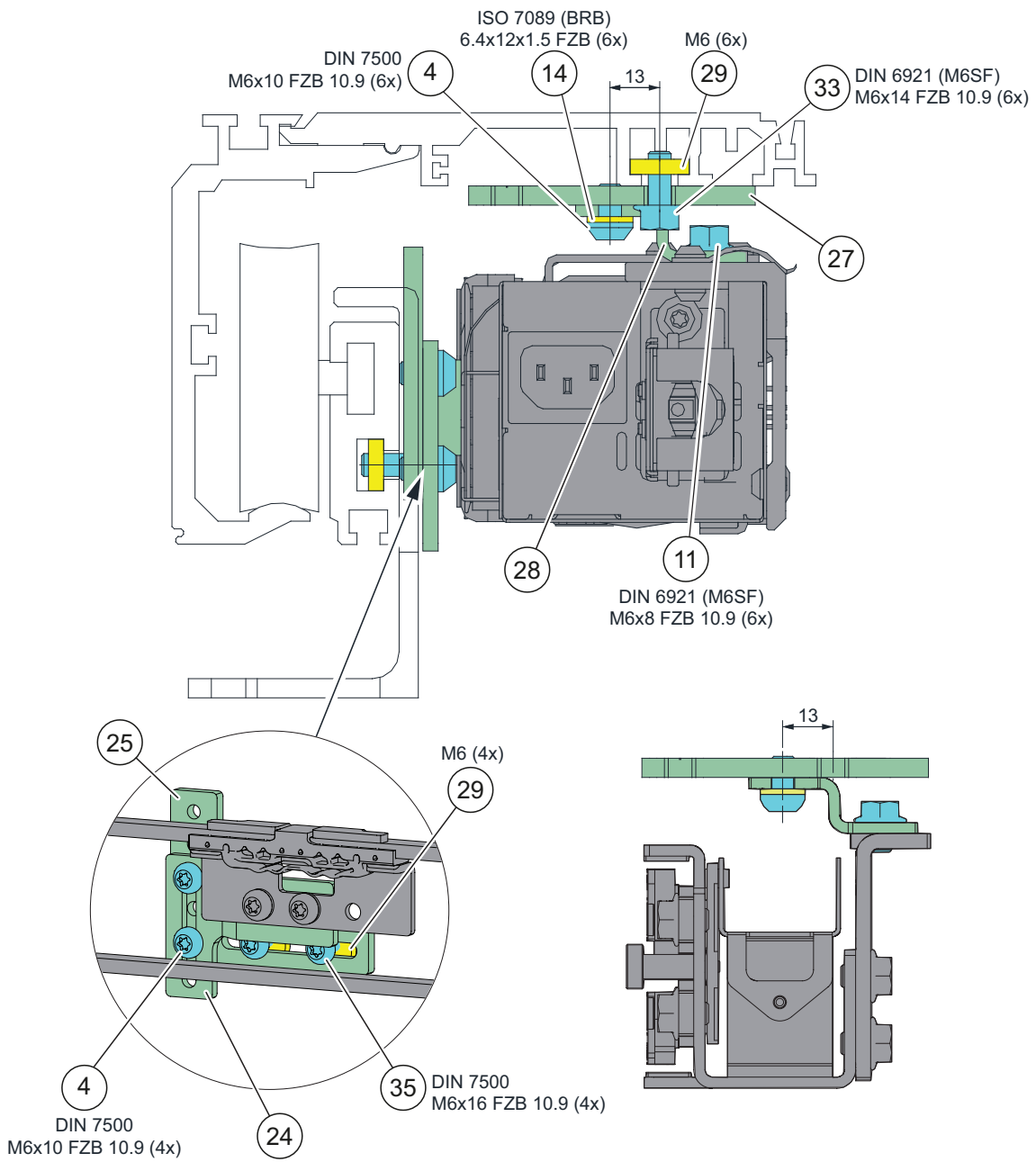
- 28 Mounting bracket
- 32 Screw
- 40 Bracket 2

DORMA ES 50



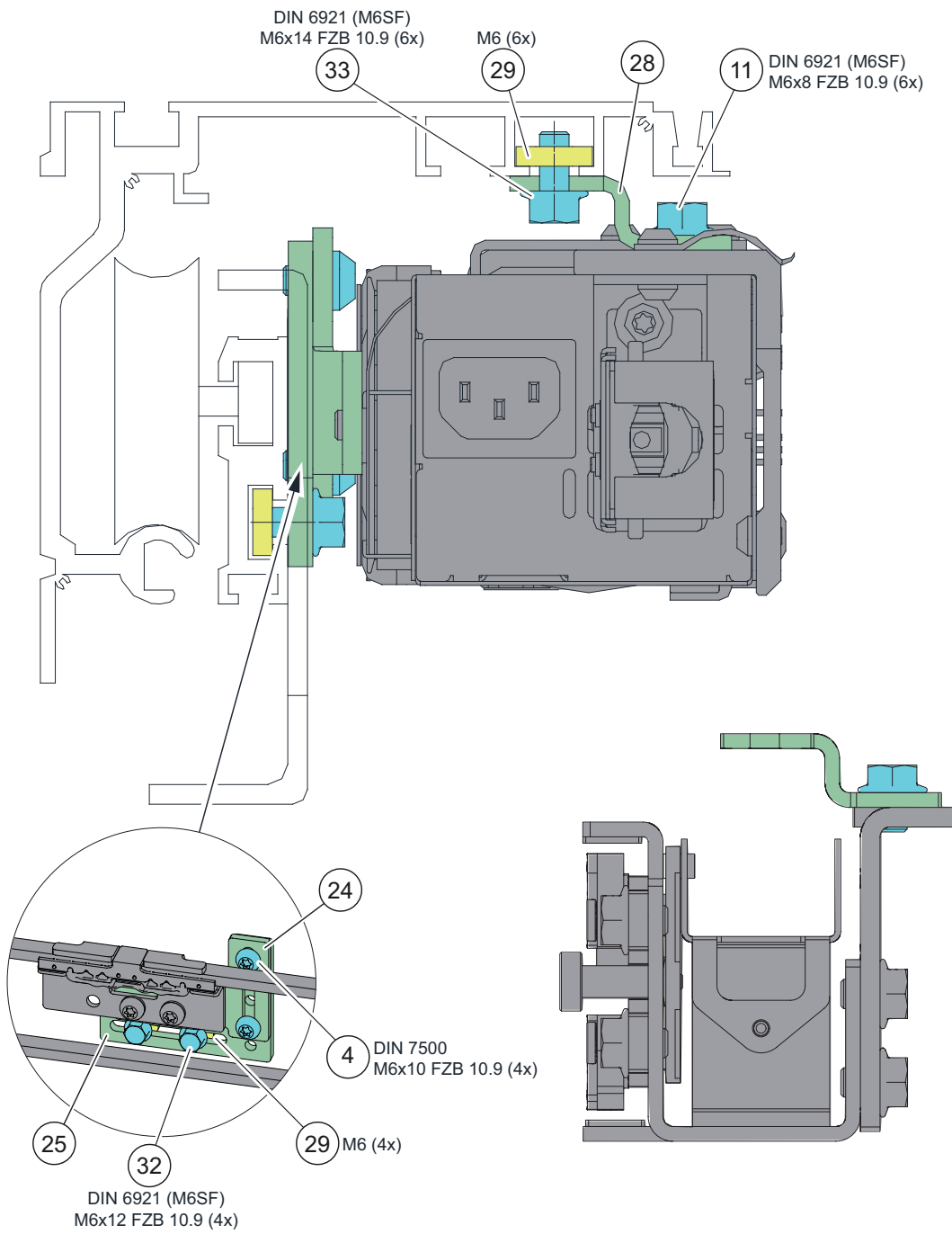
- | | |
|-----------------------|---------------------|
| 4 Screw | 27 Mounting plate |
| 11 Screw | 28 Mounting bracket |
| 14 Washer | 30 Nut |
| 24 Connecting bracket | 33 Screw |
| 25 Bracket 1 | 36 Screw |

DORMA ES 55/60



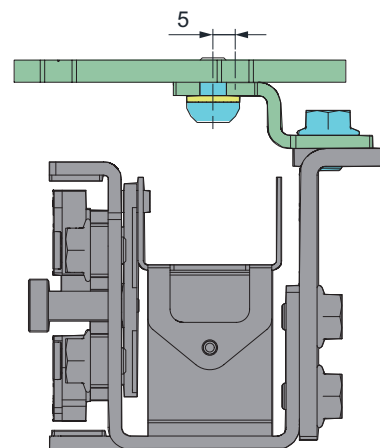
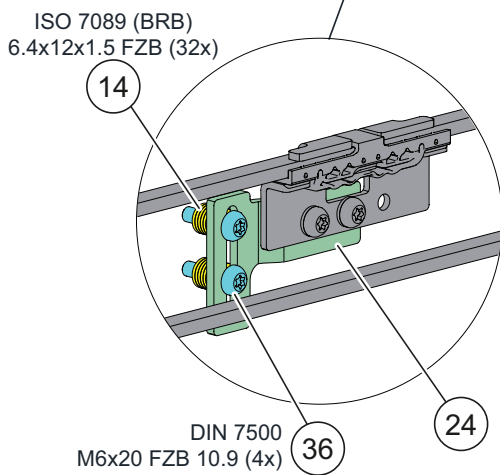
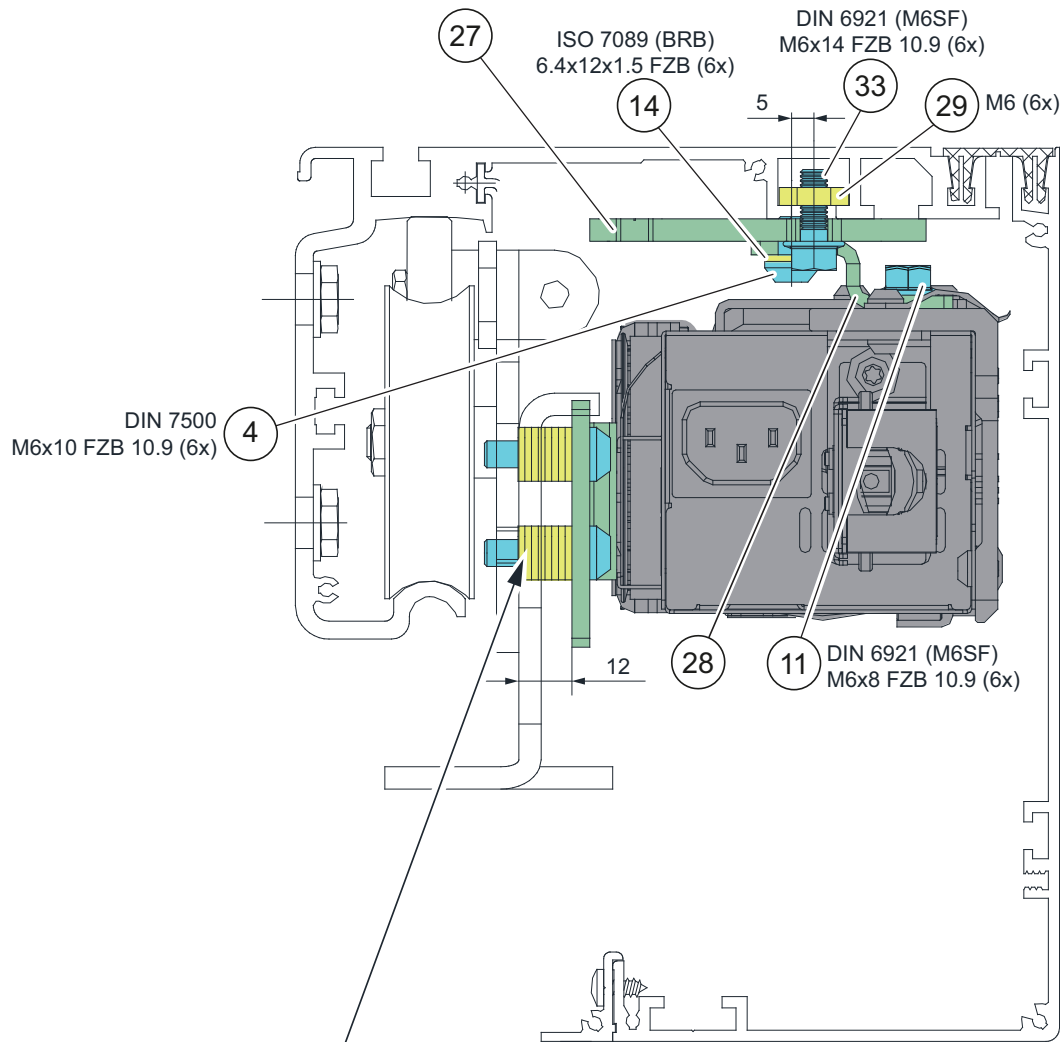
- | | | | |
|----|--------------------|----|------------------|
| 4 | Screw | 27 | Mounting plate |
| 11 | Screw | 28 | Mounting bracket |
| 14 | Washer | 29 | Square nut |
| 24 | Connecting bracket | 33 | Screw |
| 25 | Bracket 1 | 35 | Screw |

DORMA ES 70



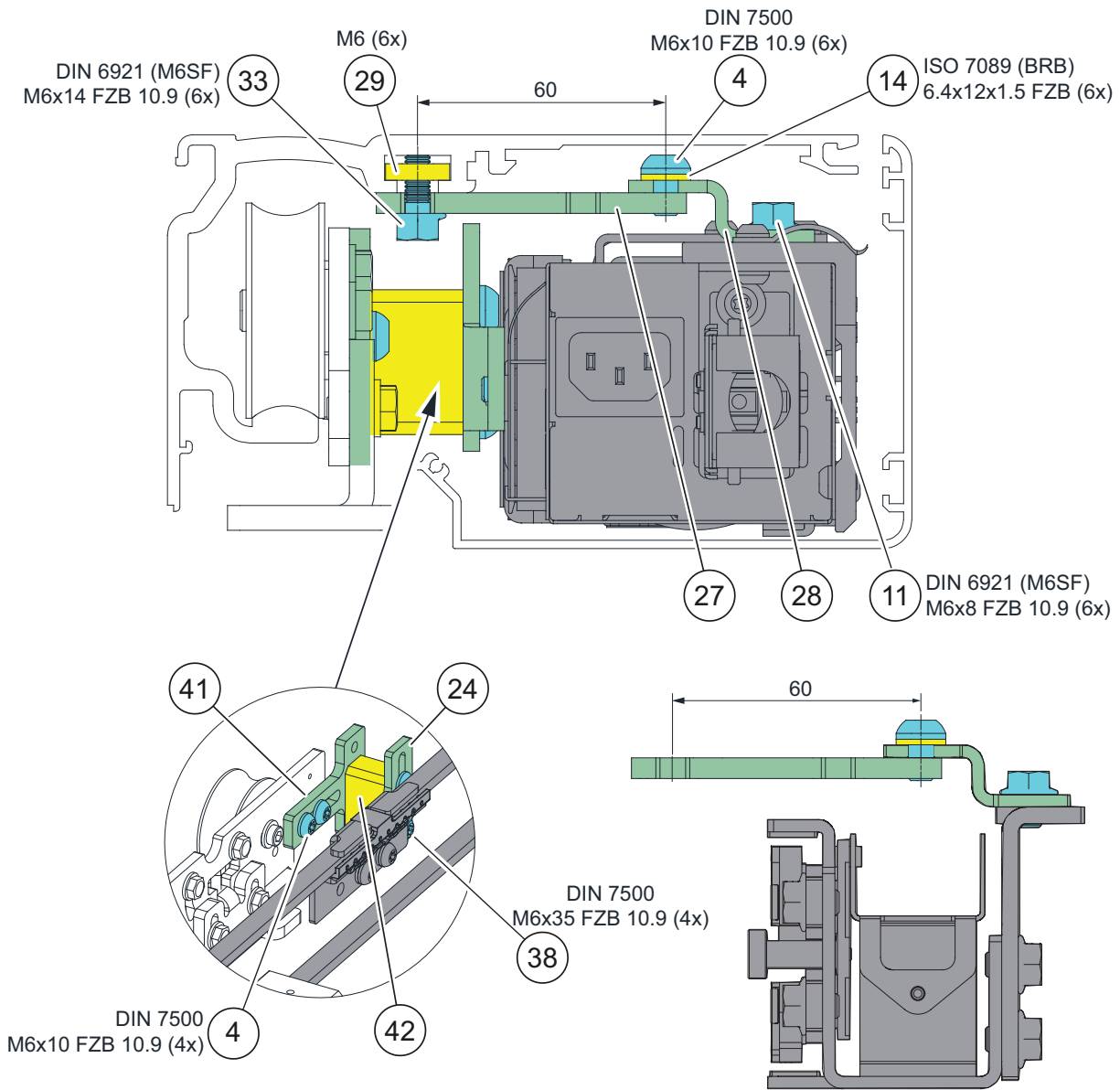
- | | | | |
|----|--------------------|----|------------------|
| 4 | Screw | 28 | Mounting bracket |
| 11 | Screw | 29 | Square nut |
| 24 | Connecting bracket | 32 | Screw |
| 25 | Bracket 1 | 33 | Screw |

DORMA ES 90/100



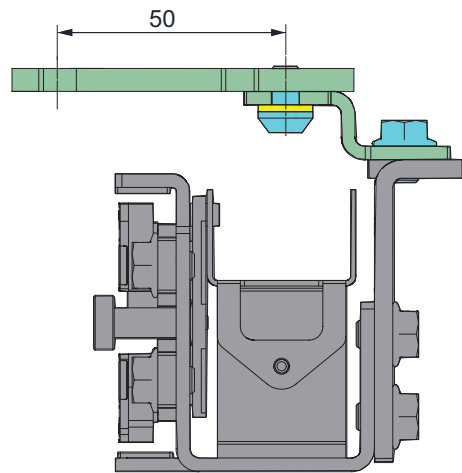
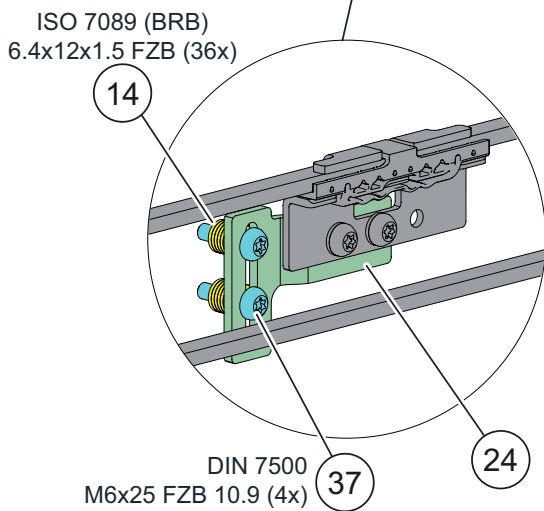
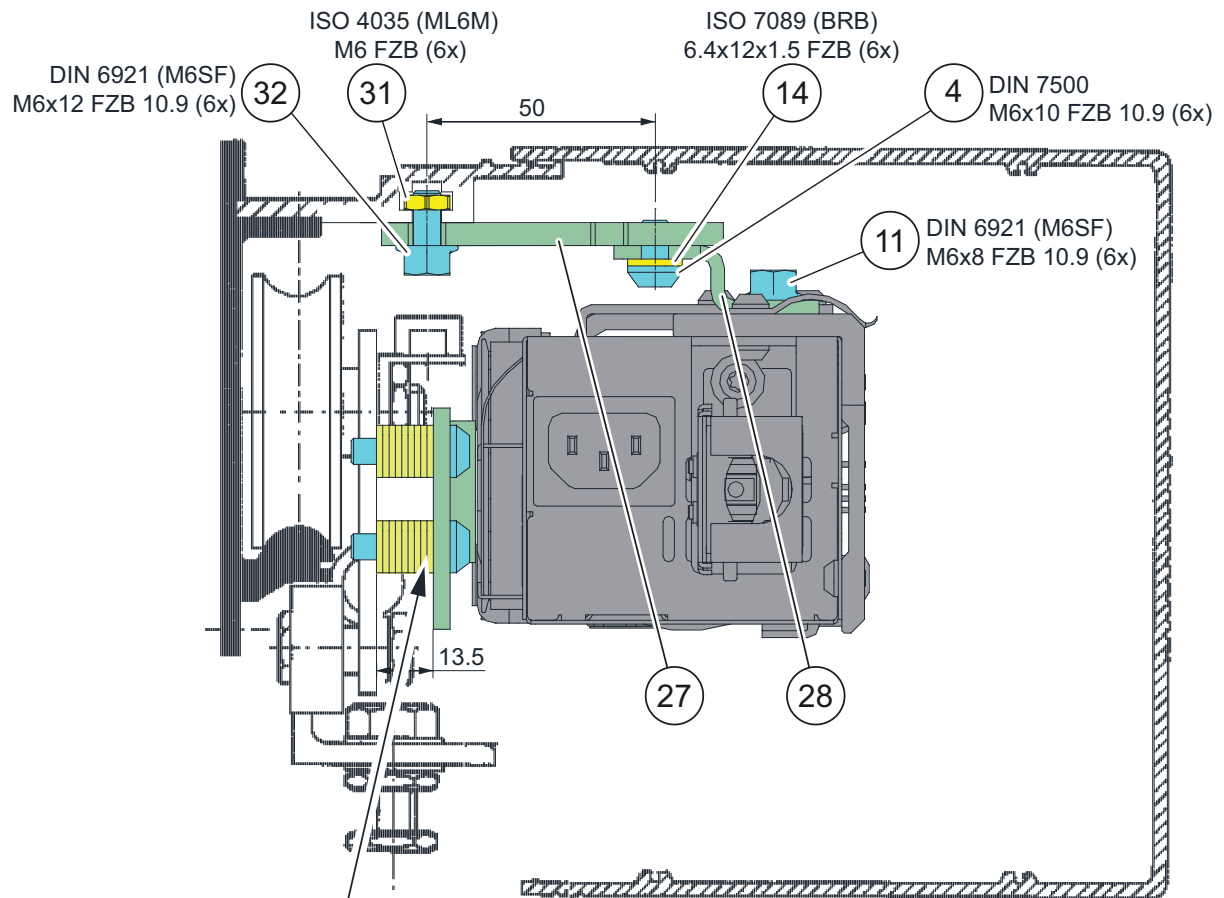
- | | | | |
|----|--------------------|----|------------------|
| 4 | Screw | 28 | Mounting bracket |
| 11 | Screw | 29 | Square nut |
| 14 | Washer | 33 | Screw |
| 24 | Connecting bracket | 36 | Screw |
| 27 | Mounting plate | | |

DORMA ES 200



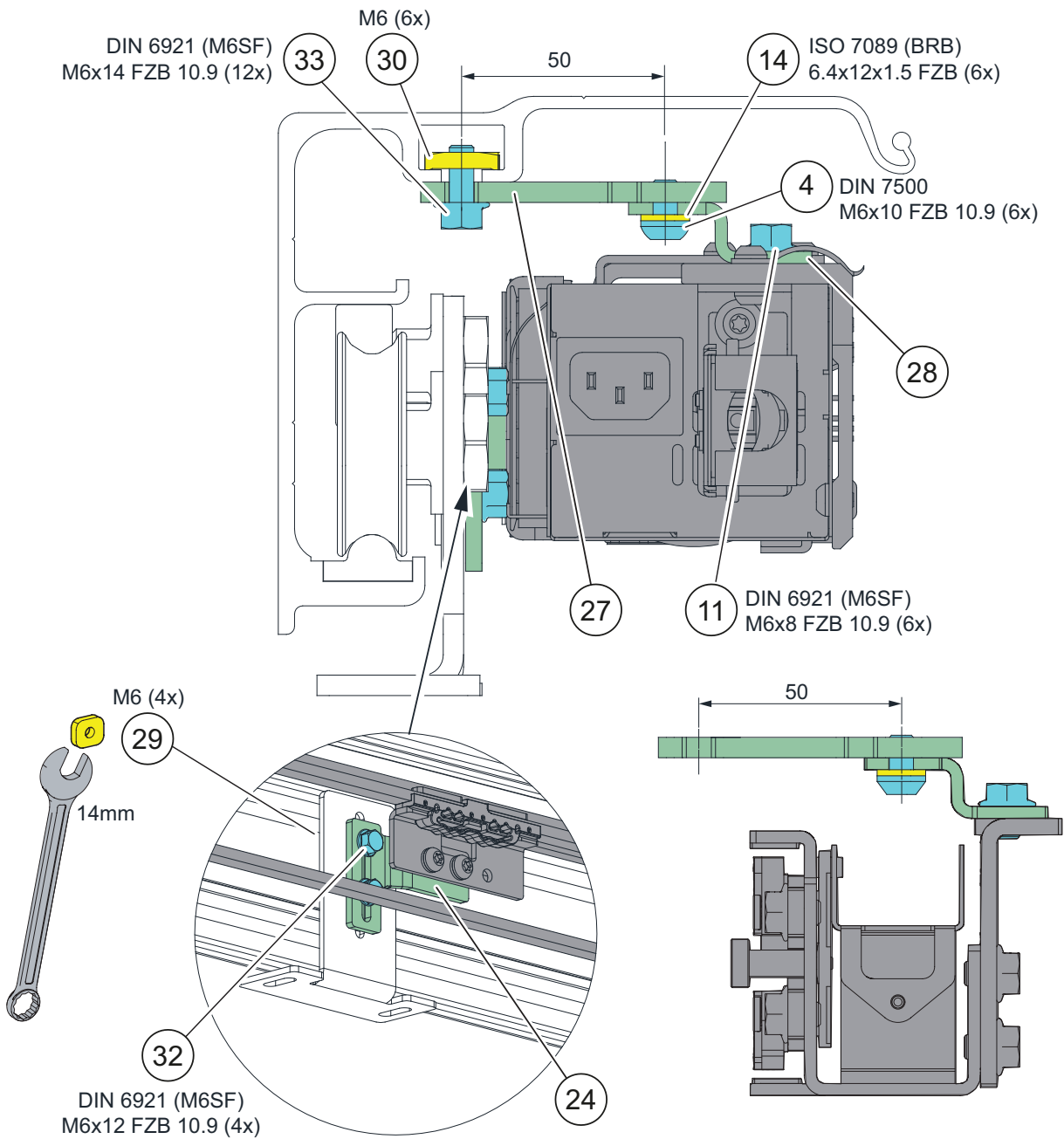
- | | | | |
|----|--------------------|----|--------------|
| 4 | Screw | 29 | Square nut |
| 11 | Screw | 33 | Screw |
| 14 | Washer | 38 | Screw |
| 24 | Connecting bracket | 41 | Bracket 3 |
| 27 | Mounting plate | 42 | Spacer block |
| 28 | Mounting bracket | | |

ELDEBE GSX



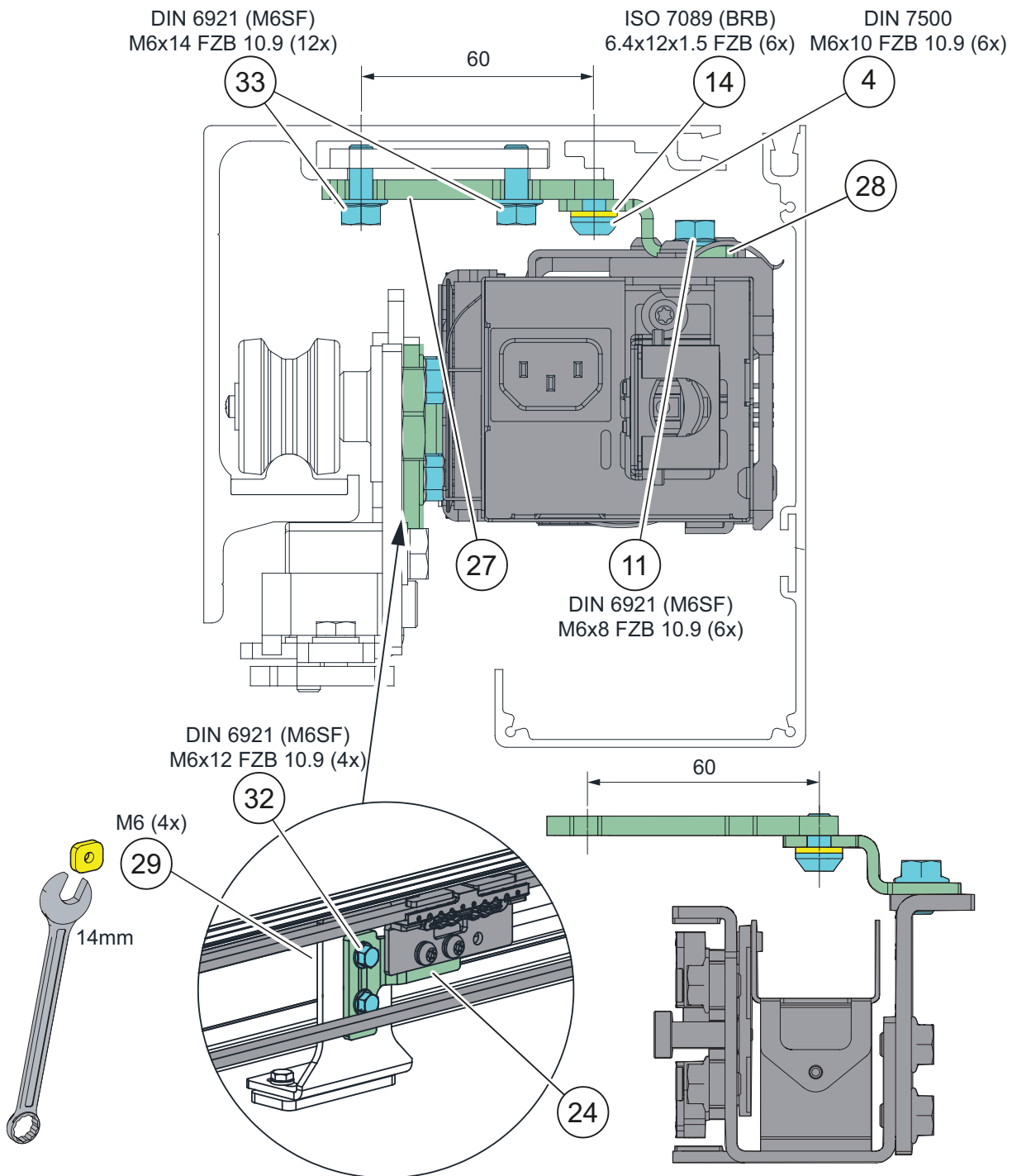
- | | | | |
|----|--------------------|----|------------------|
| 4 | Screw | 28 | Mounting bracket |
| 11 | Screw | 31 | Nut |
| 14 | Washer | 32 | Screw |
| 24 | Connecting bracket | 37 | Screw |
| 27 | Mounting plate | | |

EMD



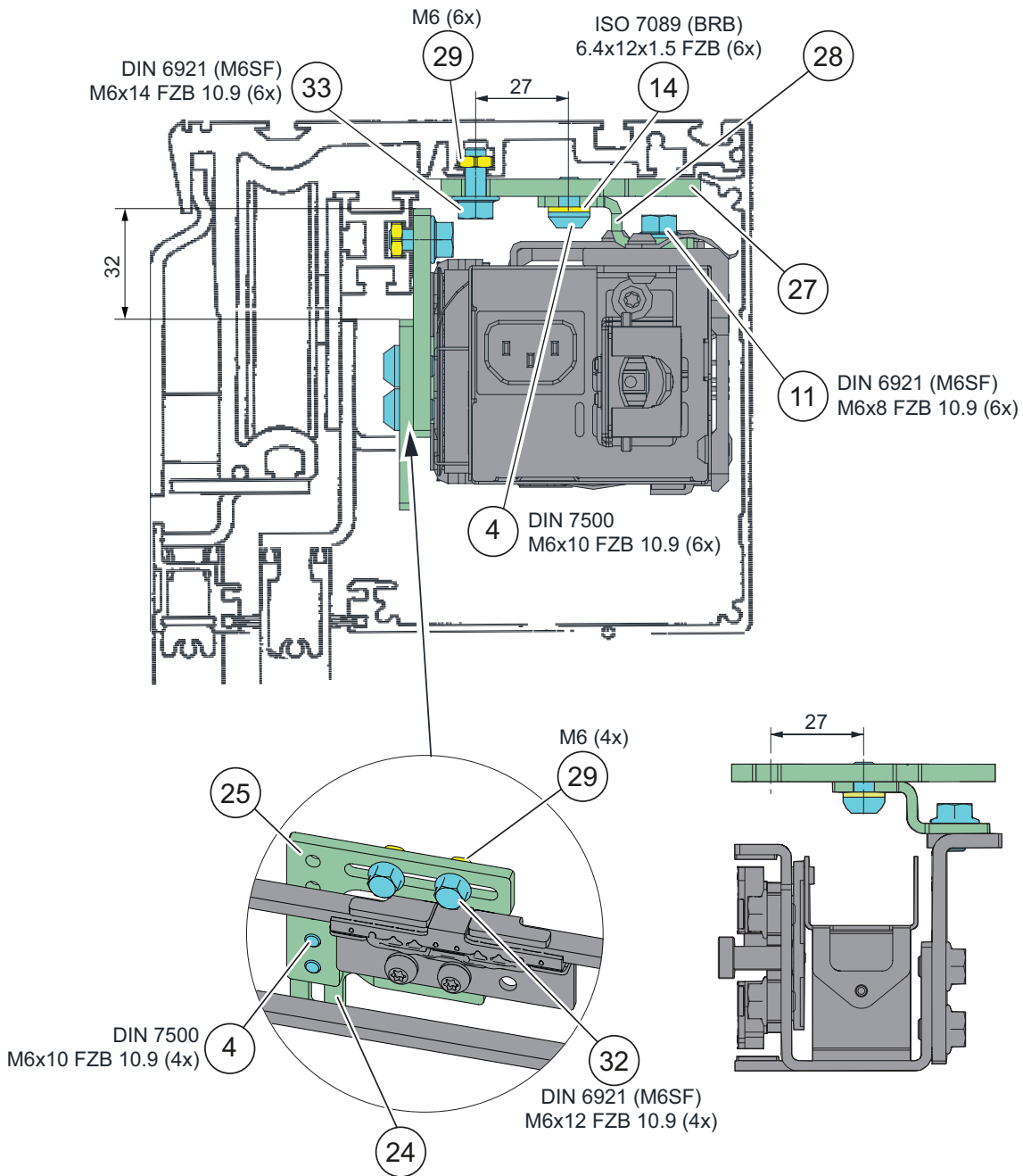
- | | | | |
|----|--------------------|----|------------|
| 4 | Screw | 29 | Square nut |
| 11 | Screw | 30 | Nut |
| 14 | Washer | 32 | Screw |
| 24 | Connecting bracket | 33 | Screw |
| 27 | Mounting plate | | |

EMC



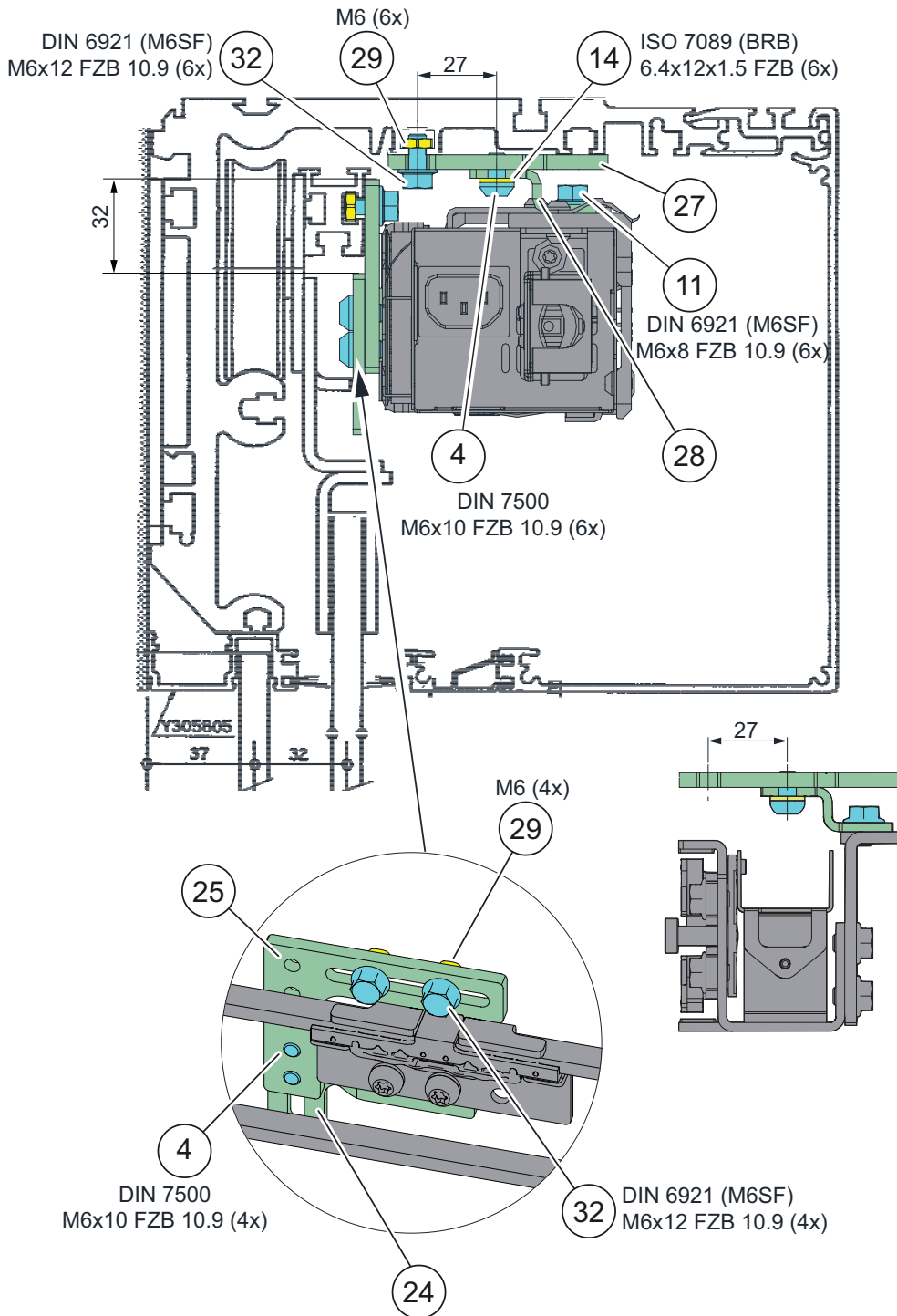
- | | | | |
|----|--------------------|----|------------------|
| 4 | Screw | 28 | Mounting bracket |
| 11 | Screw | 29 | Square nut |
| 14 | Washer | 32 | Screw |
| 24 | Connecting bracket | 33 | Screw |
| 27 | Mounting plate | | |

Faiveley 6



- | | | | |
|----|--------------------|----|------------------|
| 4 | Screw | 27 | Mounting plate |
| 11 | Screw | 28 | Mounting bracket |
| 14 | Washer | 29 | Square nut |
| 24 | Connecting bracket | 32 | Screw |
| 25 | Bracket 1 | 33 | Screw |

Faiveley 12

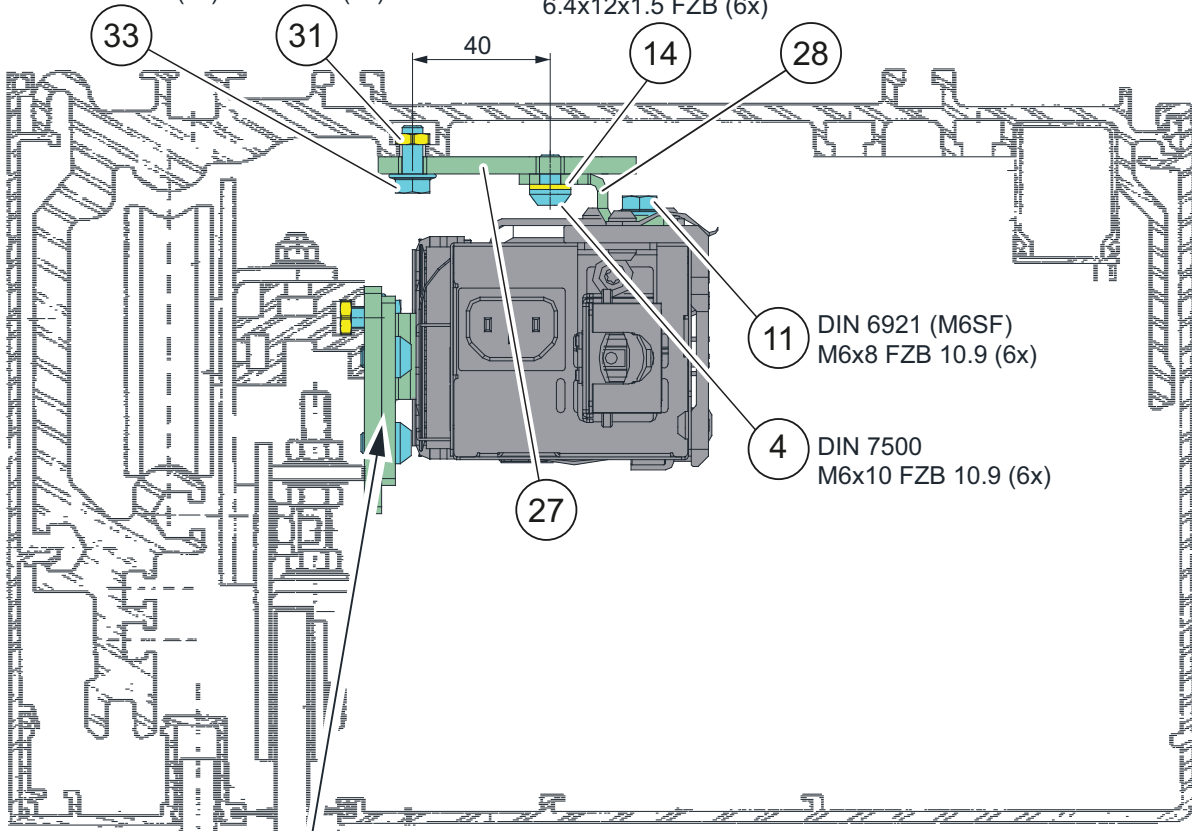


- | | | | |
|----|--------------------|----|------------------|
| 4 | Screw | 27 | Mounting plate |
| 11 | Screw | 28 | Mounting bracket |
| 14 | Washer | 29 | Square nut |
| 24 | Connecting bracket | 32 | Screw |
| 25 | Bracket 1 | | |

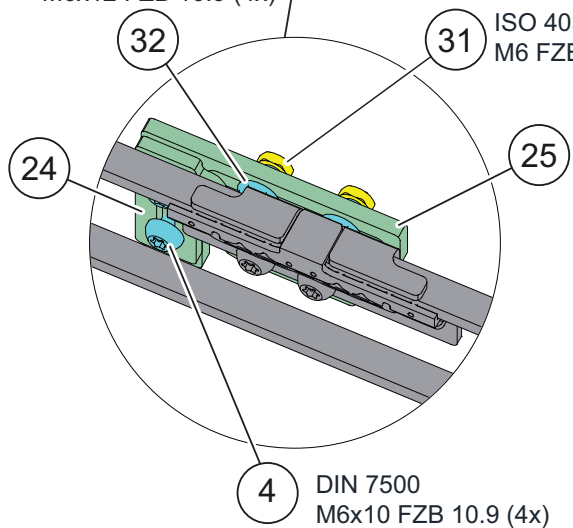
Faiveley 17

DIN 6921 (M6SF) ISO 4035 (ML6M)
 M6x14 FZB 10.9 (6x) M6 FZB (6x)

ISO 7089 (BRB)
 6.4x12x1.5 FZB (6x)

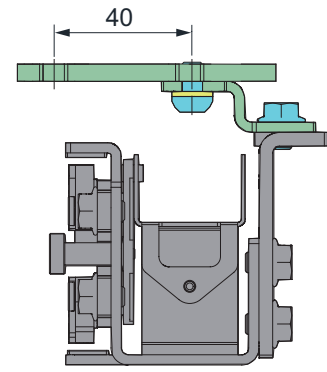


DIN 6921 (M6SF)
 M6x12 FZB 10.9 (4x)



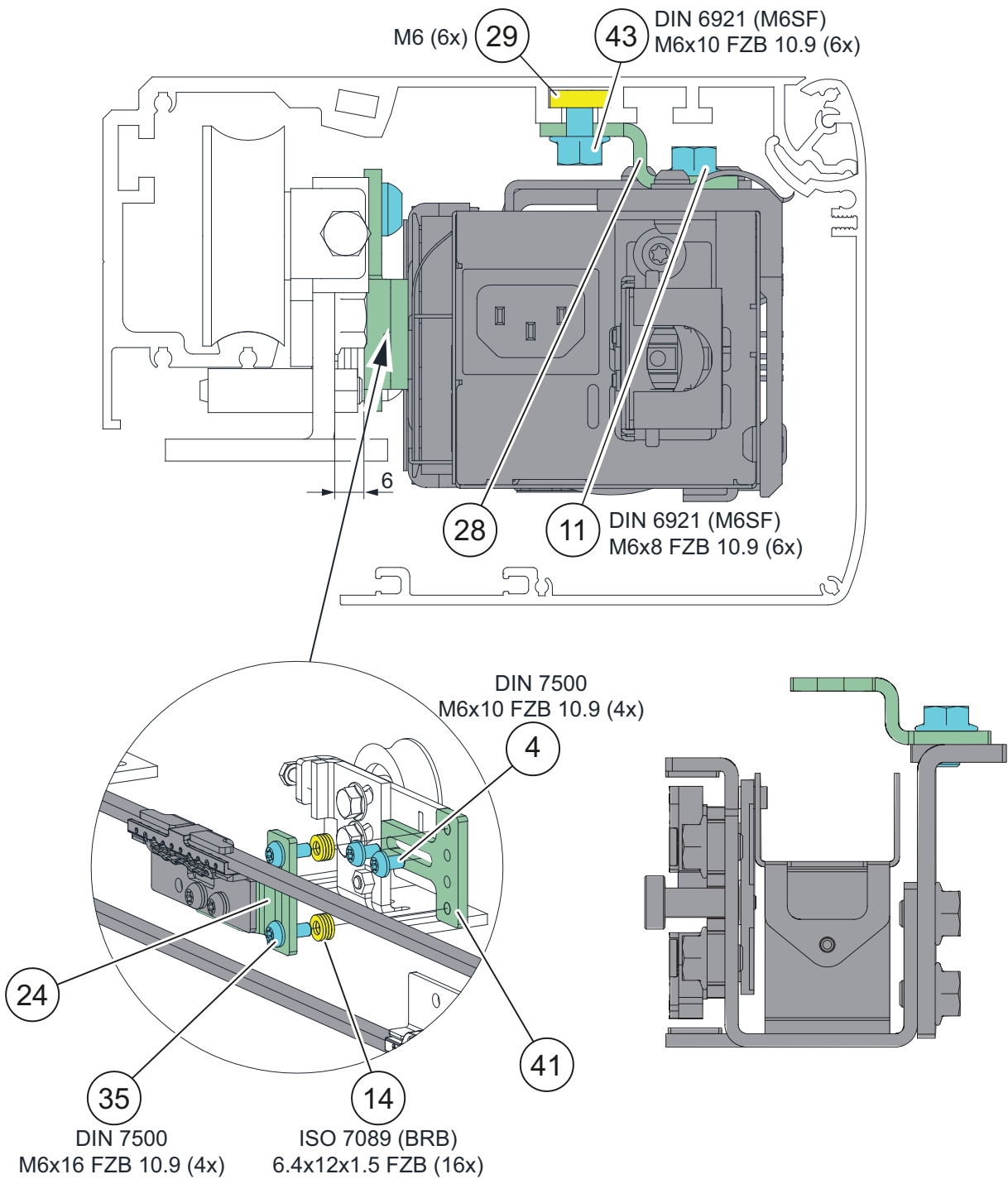
ISO 4035 (ML6M)
 M6 FZB (4x)

DIN 7500
 M6x10 FZB 10.9 (4x)



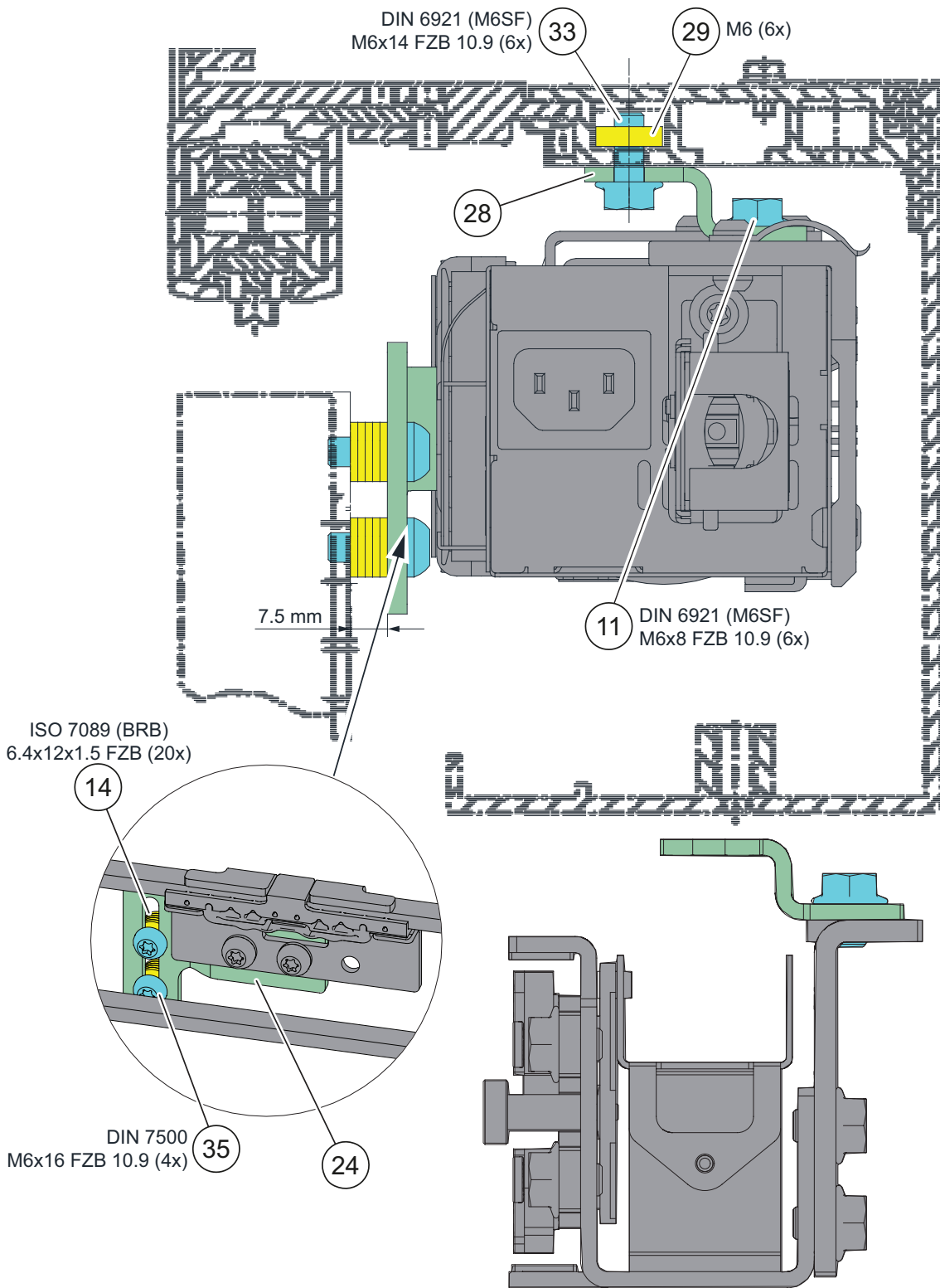
- | | |
|-----------------------|---------------------|
| 4 Screw | 27 Mounting plate |
| 11 Screw | 28 Mounting bracket |
| 14 Washer | 31 Nut |
| 24 Connecting bracket | 32 Screw |
| 25 Bracket 1 | 33 Screw |

GEZE ECdrive



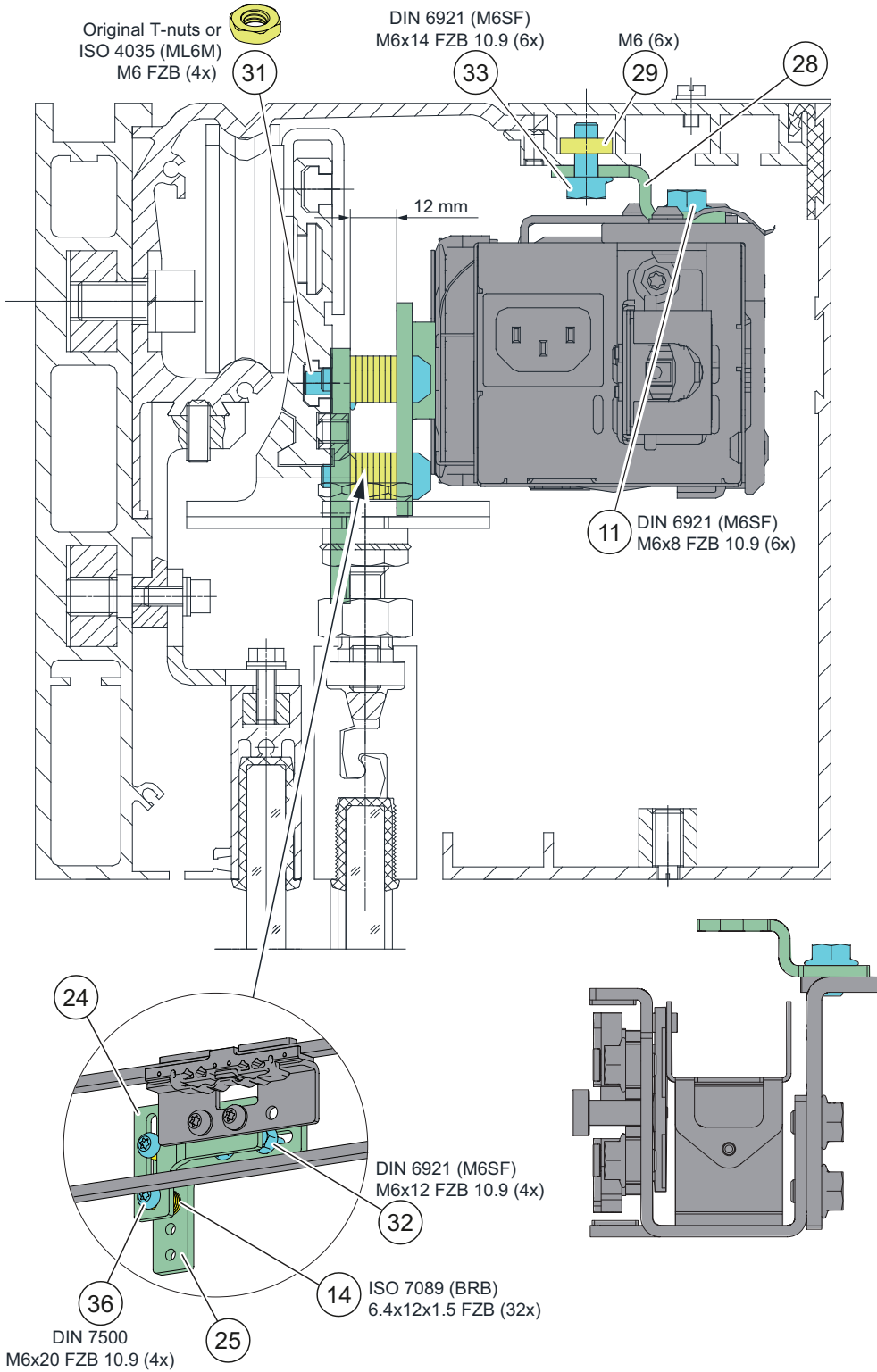
- | | | | |
|----|--------------------|----|------------|
| 4 | Screw | 29 | Square nut |
| 11 | Screw | 35 | Screw |
| 14 | Washer | 41 | Bracket 3 |
| 24 | Connecting bracket | 43 | Screw |
| 28 | Mounting bracket | | |

GEZE TSA 340



- | | | | |
|----|--------------------|----|------------|
| 11 | Screw | 29 | Square nut |
| 14 | Washer | 33 | Screw |
| 24 | Connecting bracket | 35 | Screw |
| 28 | Mounting bracket | | |

GEZE TSA 350 N/350 W



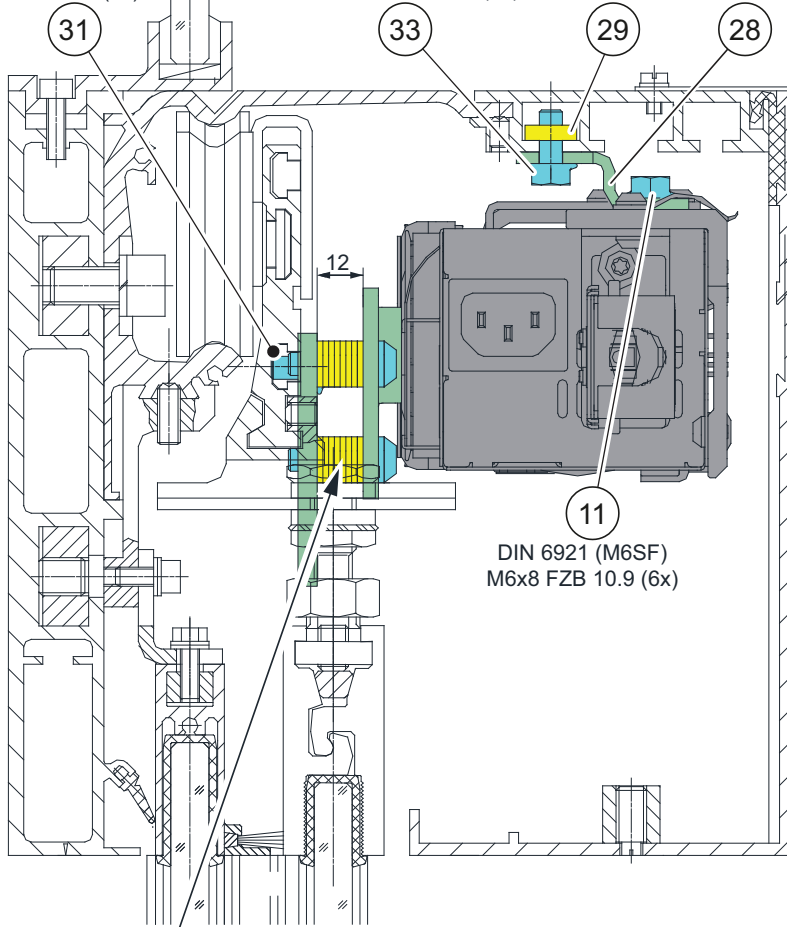
- | | |
|-----------------------|---------------|
| 11 Screw | 29 Square nut |
| 14 Washer | 31 Nut |
| 24 Connecting bracket | 32 Screw |
| 25 Bracket 1 | 33 Screw |
| 28 Mounting bracket | 36 Screw |

GEZE TSA 360

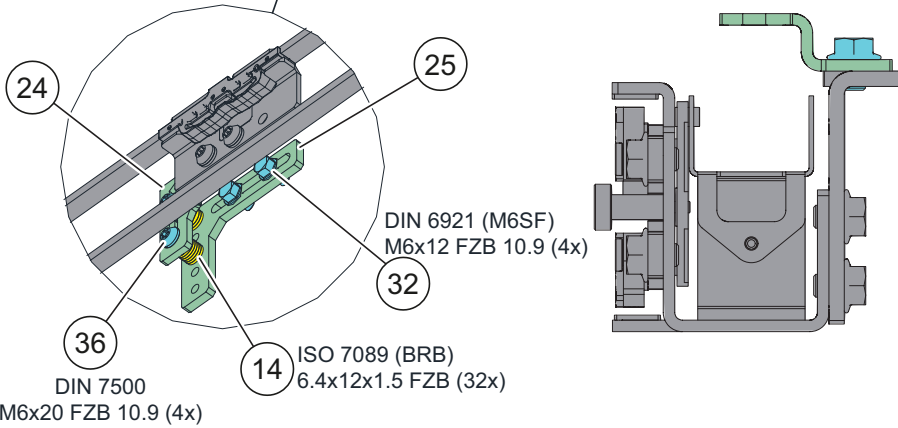
Original T-nuts or
ISO 4035 (ML6M)
M6 FZB 10.9 (4x)

DIN 6921 (M6SF)
M6x14 FZB 10.9 (6x)

M6 (6x)



DIN 6921 (M6SF)
M6x8 FZB 10.9 (6x)



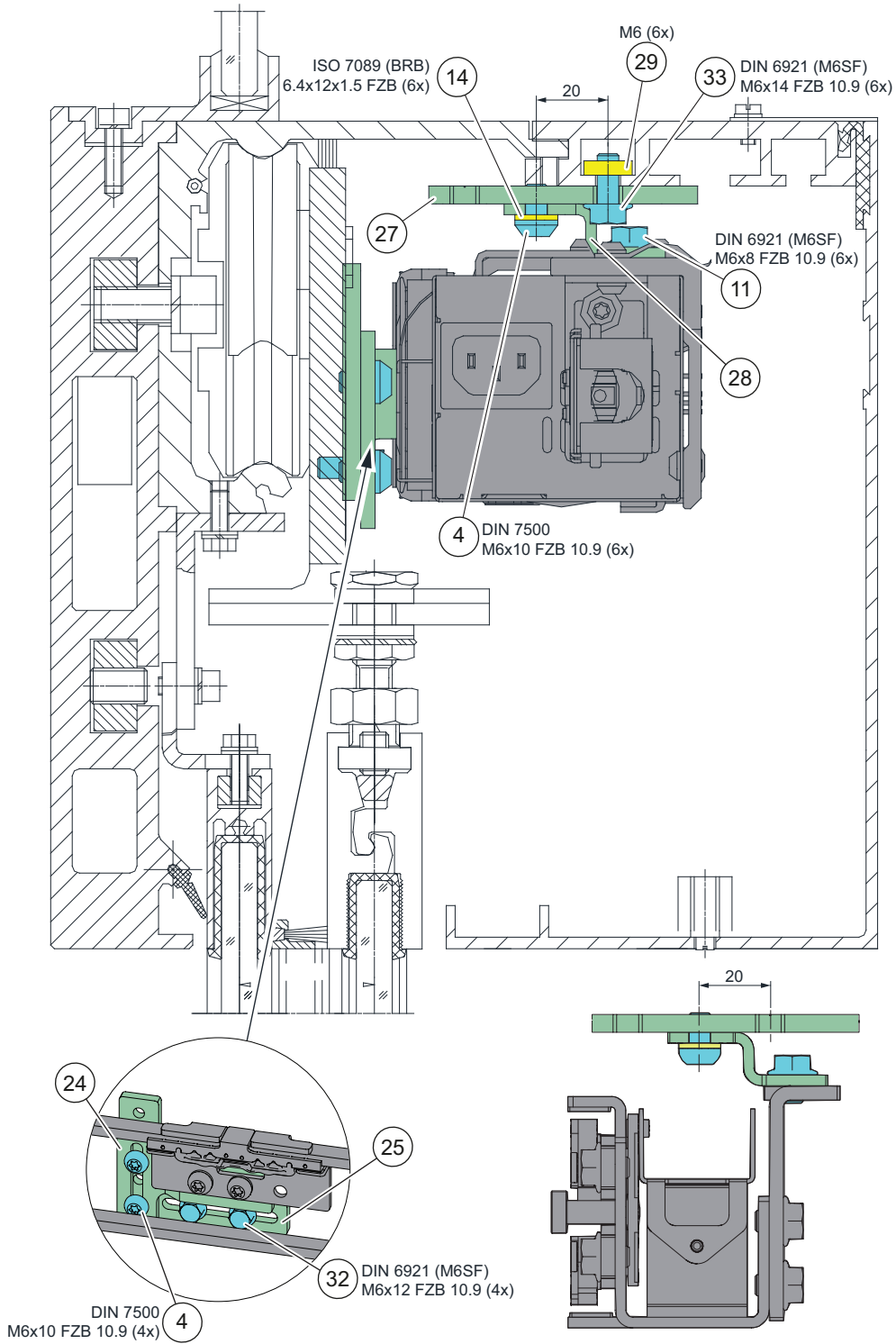
DIN 6921 (M6SF)
M6x12 FZB 10.9 (4x)

ISO 7089 (BRB)
6.4x12x1.5 FZB (32x)

DIN 7500
M6x20 FZB 10.9 (4x)

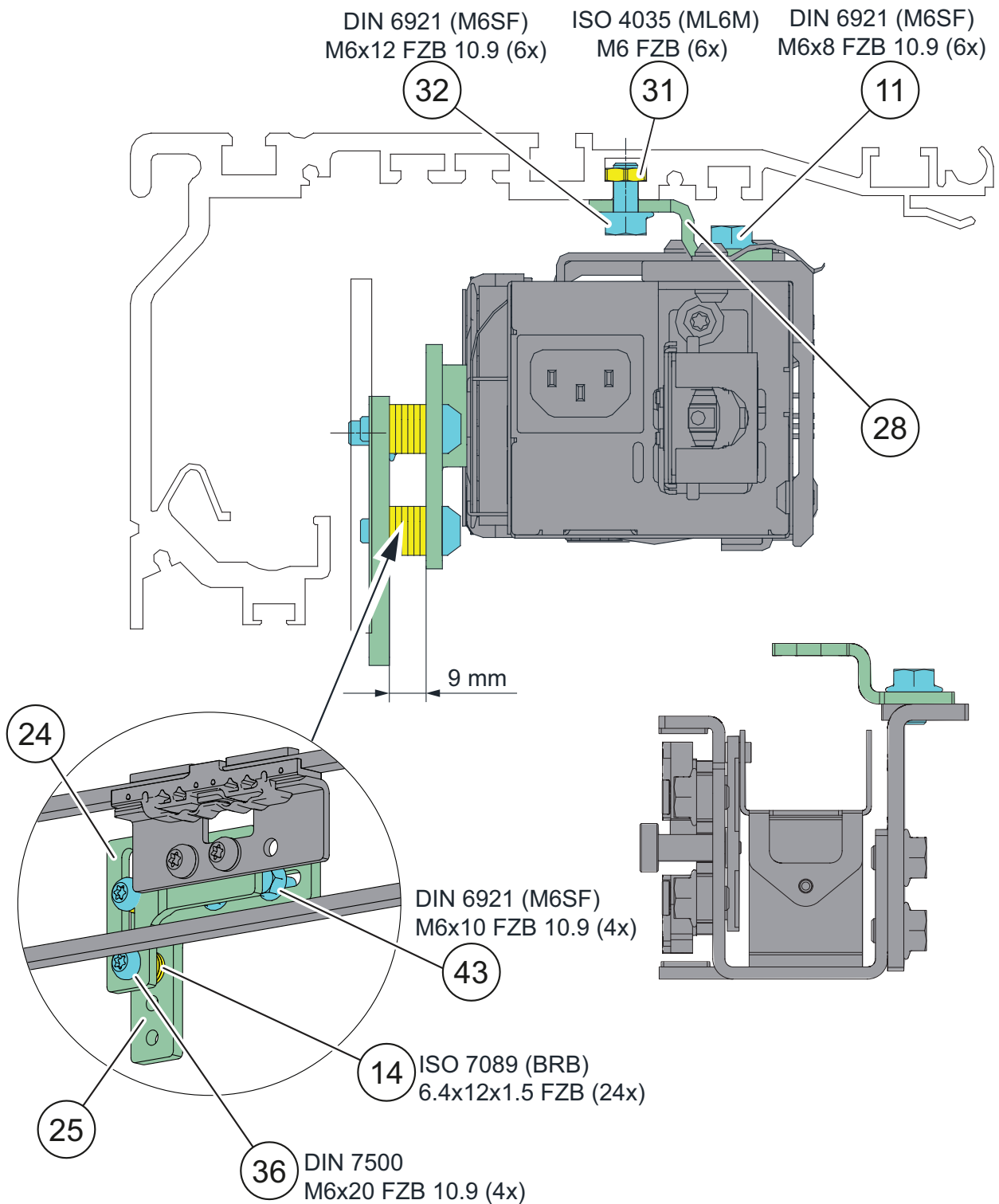
- | | |
|-----------------------|---------------|
| 11 Screw | 29 Square nut |
| 14 Washer | 31 Nut |
| 24 Connecting bracket | 32 Screw |
| 25 Bracket 1 | 33 Screw |
| 28 Mounting bracket | 36 Screw |

GEZE TSA 450



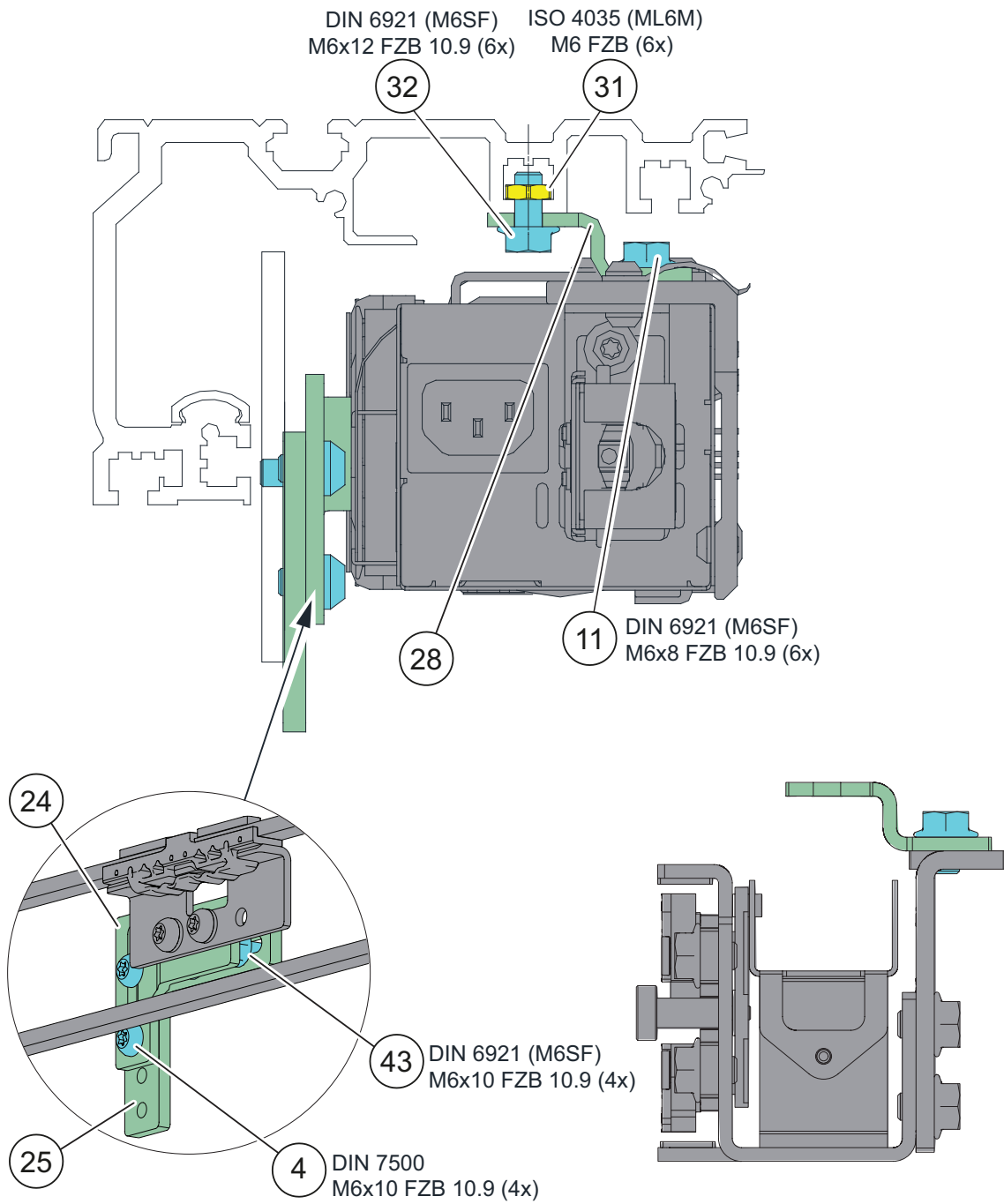
- | | | | |
|----|--------------------|----|------------------|
| 4 | Screw | 27 | Mounting plate |
| 11 | Screw | 28 | Mounting bracket |
| 14 | Washer | 29 | Square nut |
| 24 | Connecting bracket | 32 | Screw |
| 25 | Bracket 1 | 33 | Screw |

Gilgen SLK/SLG



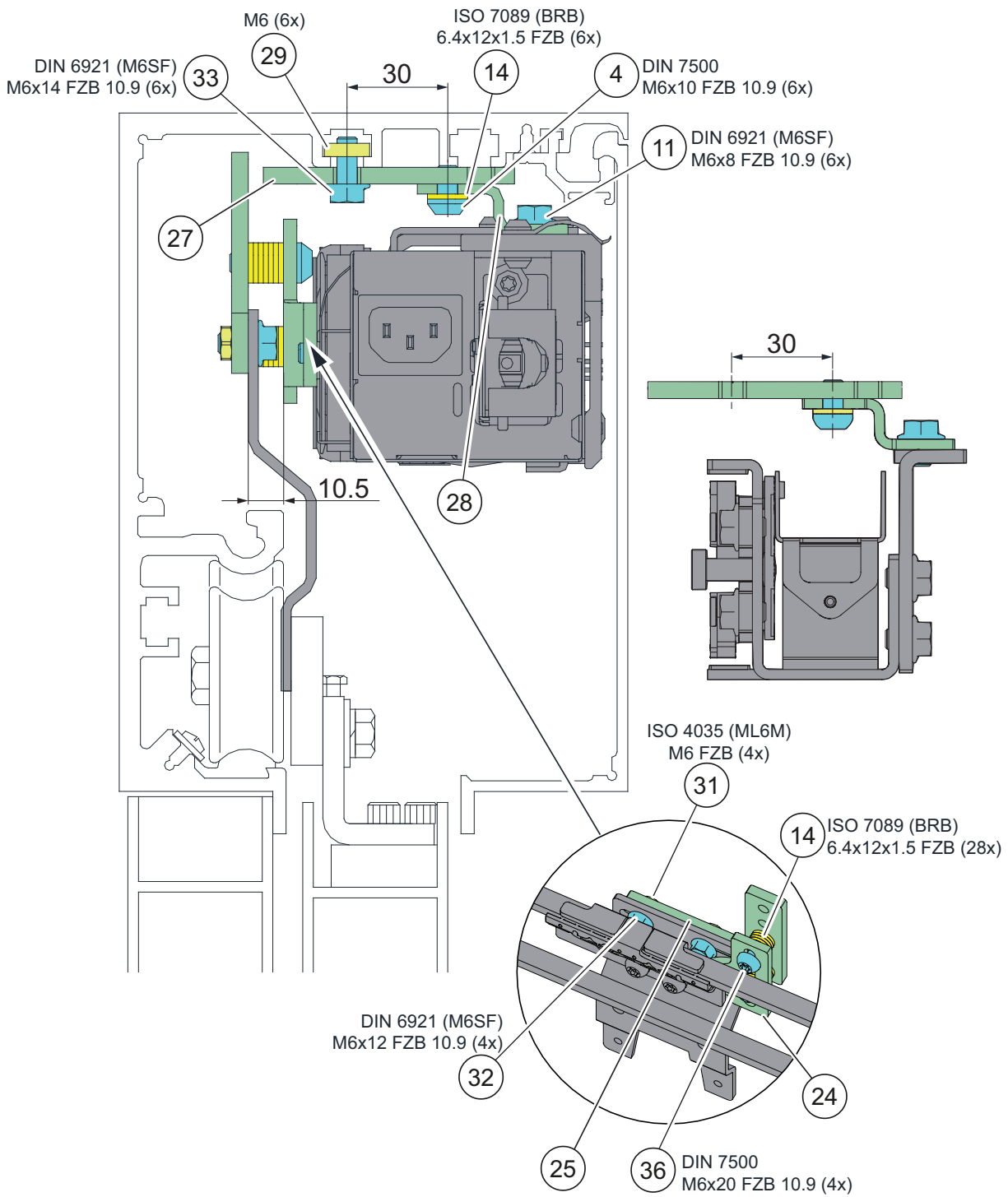
- | | |
|-----------------------|----------|
| 11 Screw | 31 Nut |
| 14 Washer | 32 Screw |
| 24 Connecting bracket | 36 Screw |
| 25 Bracket 1 | 43 Screw |
| 28 Mounting bracket | |

Gilgen SLM/SLP



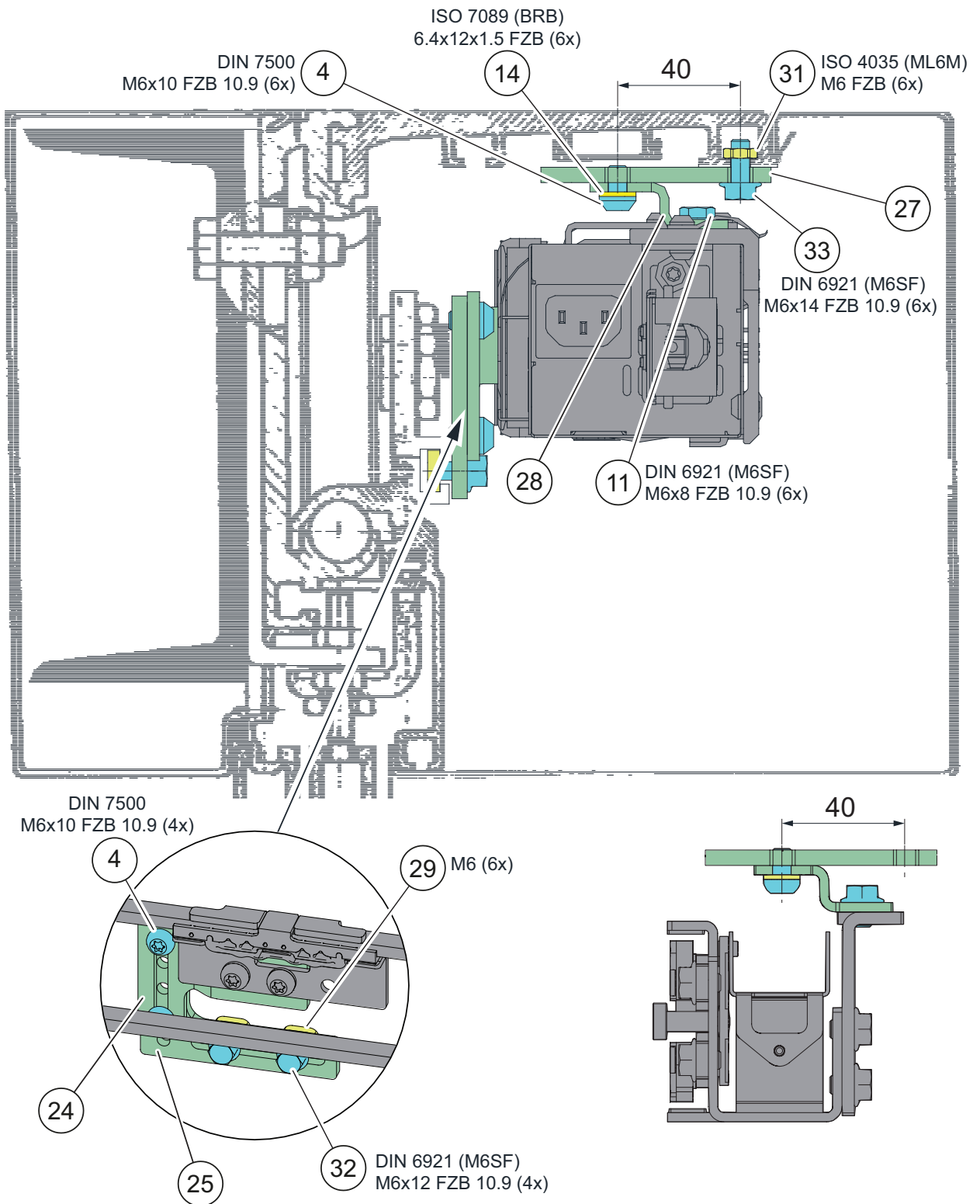
- | | | | |
|----|--------------------|----|------------------|
| 4 | Screw | 28 | Mounting bracket |
| 11 | Screw | 31 | Nut |
| 24 | Connecting bracket | 32 | Screw |
| 25 | Bracket 1 | 43 | Screw |

HORTON Series 2001



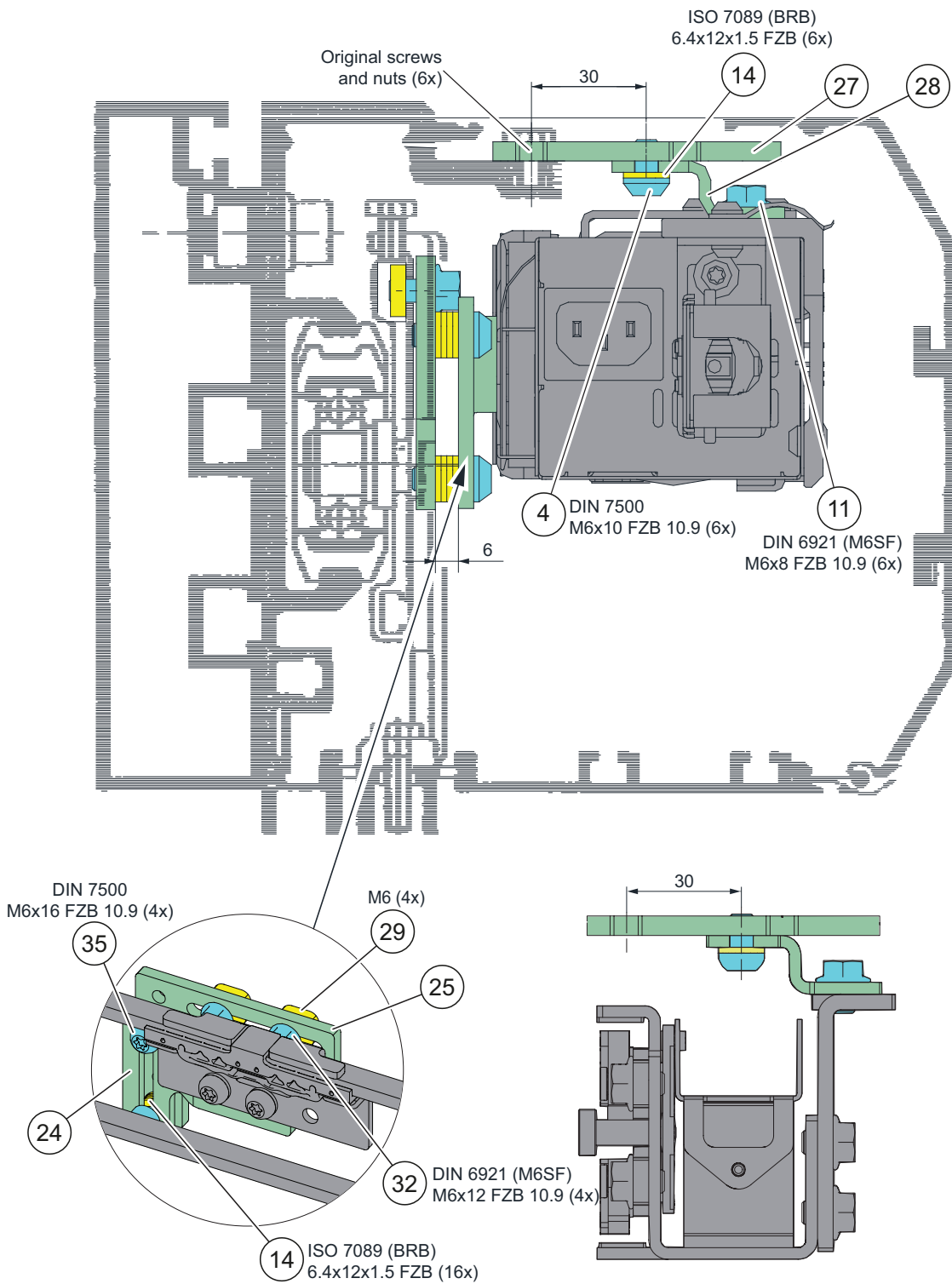
- | | | | |
|----|--------------------|----|----------------|
| 4 | Screw | 27 | Mounting plate |
| 11 | Screw | 29 | Square nut |
| 14 | Washer | 31 | Nut |
| 24 | Connecting bracket | 32 | Screw |
| 25 | Bracket 1 | 33 | Screw |

Manusa PA 80



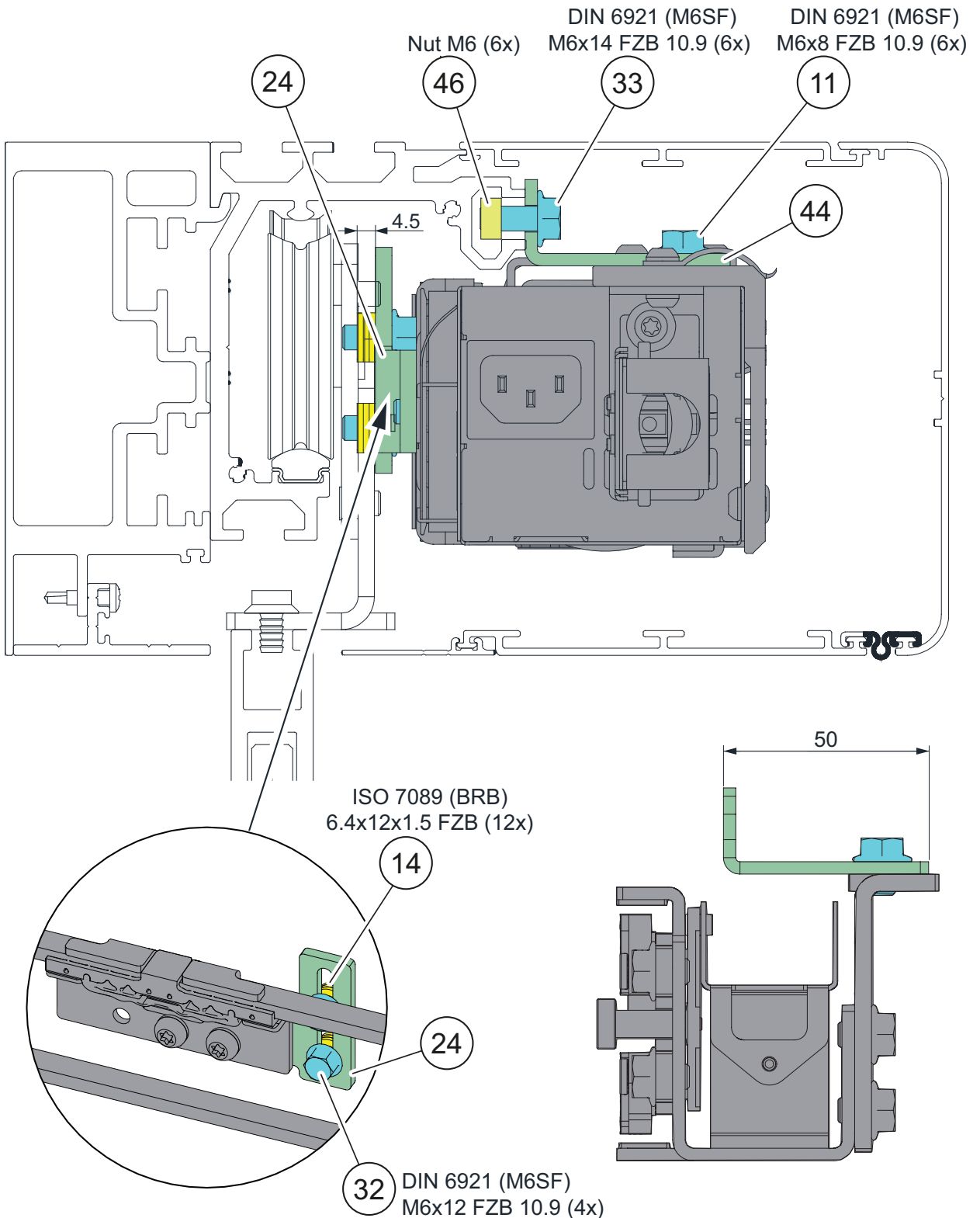
- | | | | |
|----|--------------------|----|------------------|
| 4 | Screw | 28 | Mounting bracket |
| 11 | Screw | 29 | Square nut |
| 14 | Washer | 31 | Nut |
| 24 | Connecting bracket | 32 | Screw |
| 25 | Bracket 1 | 33 | Screw |
| 27 | Mounting plate | | |

Manusa STK



- | | | | |
|----|--------------------|----|------------------|
| 4 | Screw | 27 | Mounting plate |
| 11 | Screw | 28 | Mounting bracket |
| 14 | Washer | 29 | Square nut |
| 24 | Connecting bracket | 32 | Screw |
| 25 | Bracket 1 | 35 | Screw |

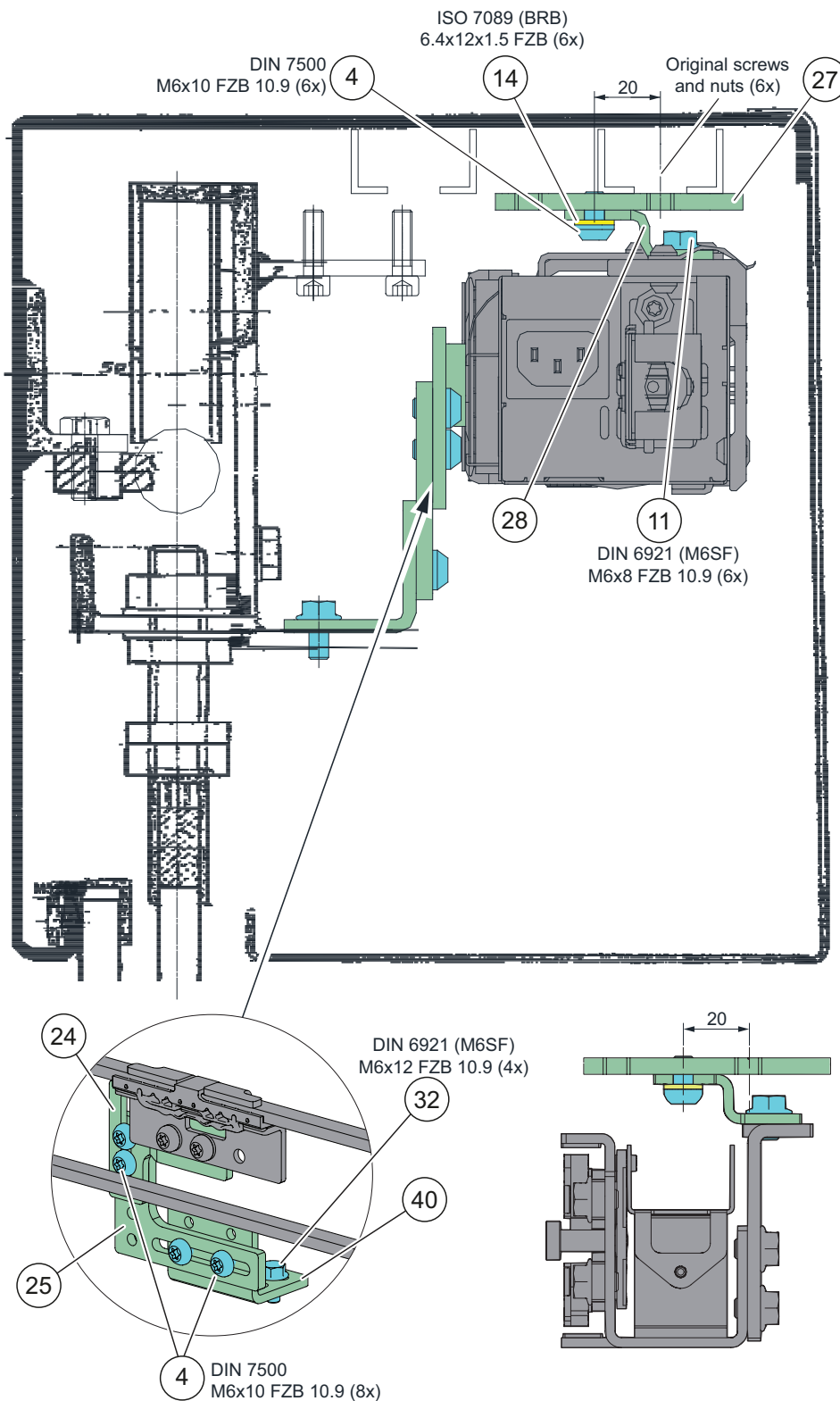
Manusa Visio



- 11 Screw
- 14 Washer
- 24 Connecting bracket
- 32 Screw

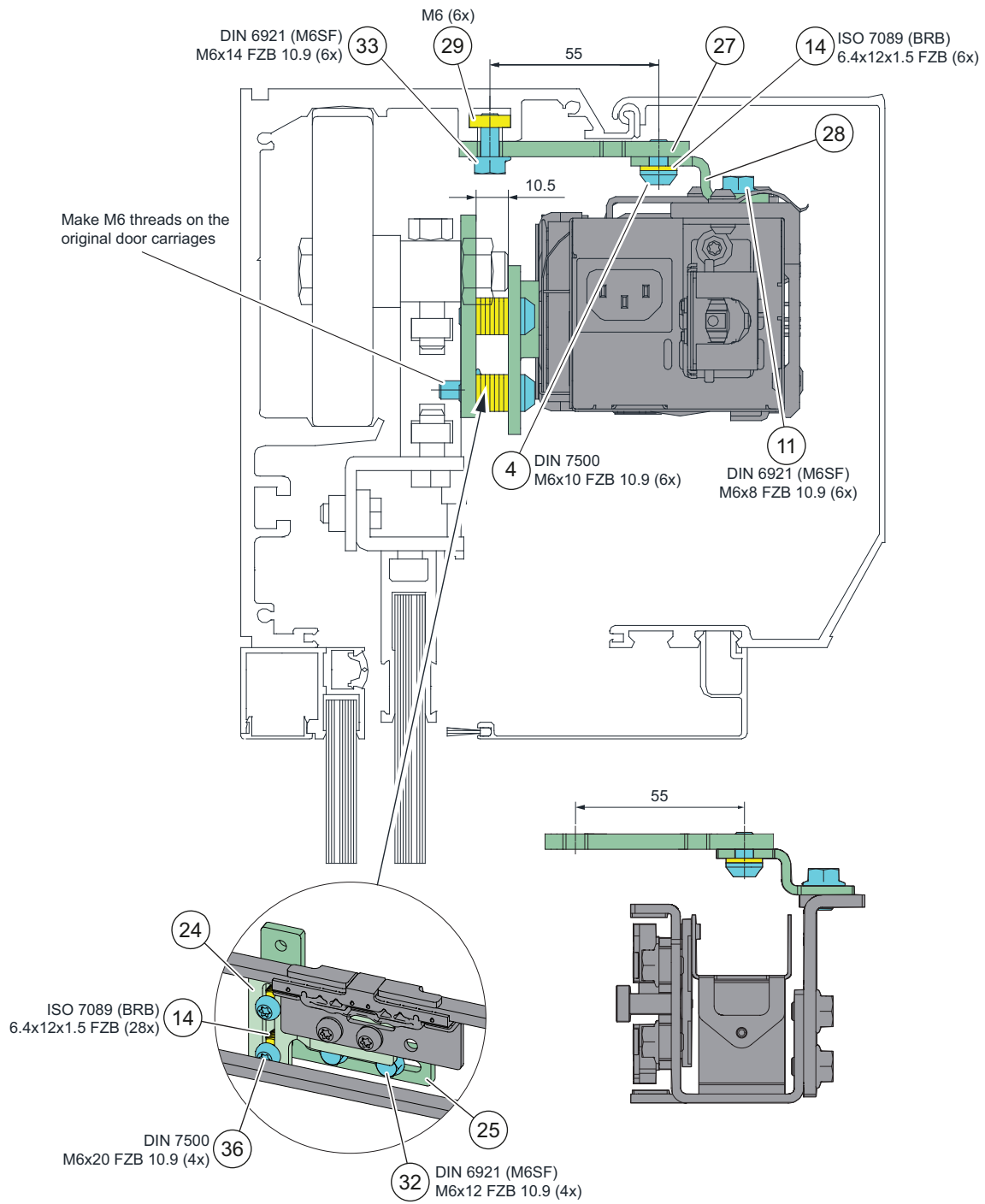
- 33 Screw
- 44 Bracket 4
- 46 Nut

Portalp 2000B



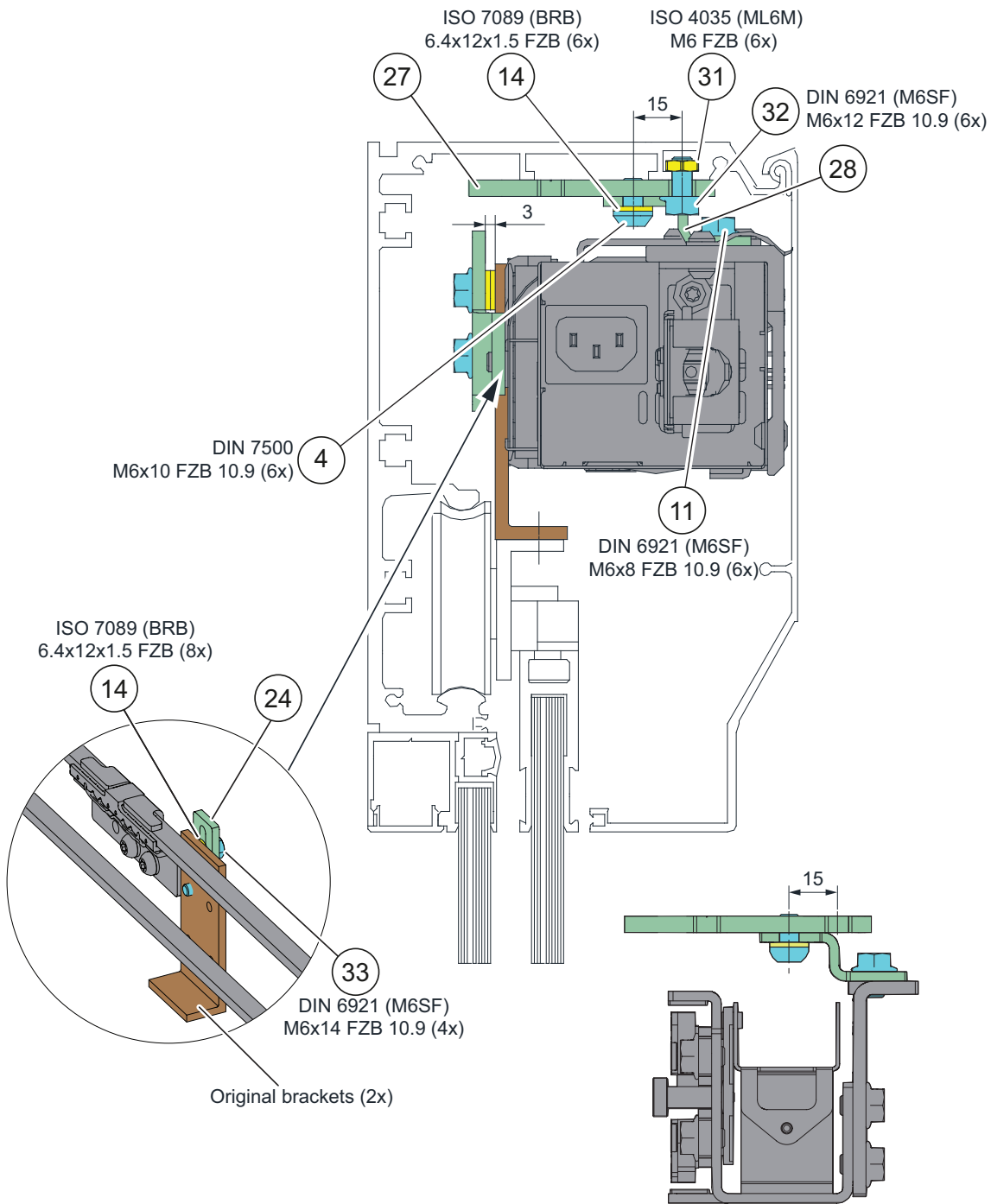
- | | | | |
|----|--------------------|----|------------------|
| 4 | Screw | 27 | Mounting plate |
| 11 | Screw | 28 | Mounting bracket |
| 14 | Washer | 32 | Screw |
| 24 | Connecting bracket | 40 | Bracket 2 |
| 25 | Bracket 1 | | |

Porte Automatique GTS-L/-P



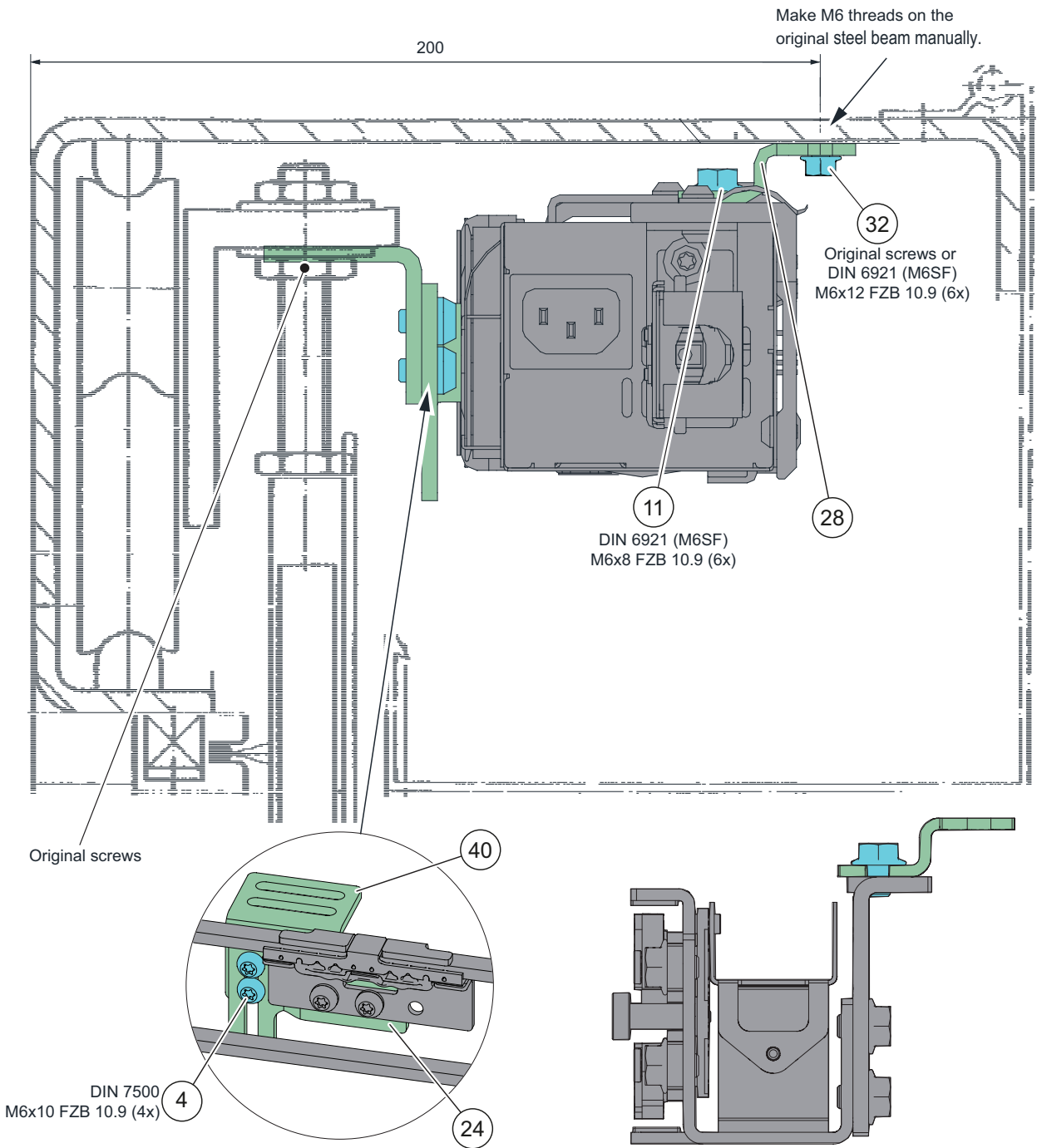
- | | | | |
|----|--------------------|----|------------------|
| 4 | Screw | 28 | Mounting bracket |
| 11 | Screw | 29 | Square nut |
| 14 | Washer | 32 | Screw |
| 24 | Connecting bracket | 33 | Screw |
| 25 | Bracket 1 | 36 | Screw |
| 27 | Mounting plate | | |

Porte Automatique GTV



- | | | | |
|----|--------------------|----|------------------|
| 4 | Screw | 28 | Mounting bracket |
| 11 | Screw | 31 | Nut |
| 14 | Washer | 32 | Screw |
| 24 | Connecting bracket | 33 | Screw |
| 27 | Mounting plate | | |

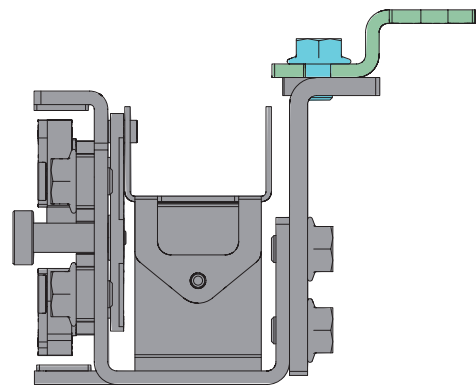
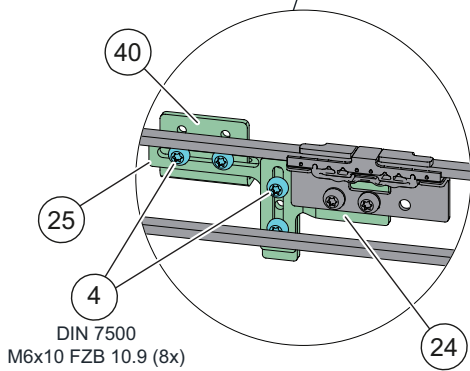
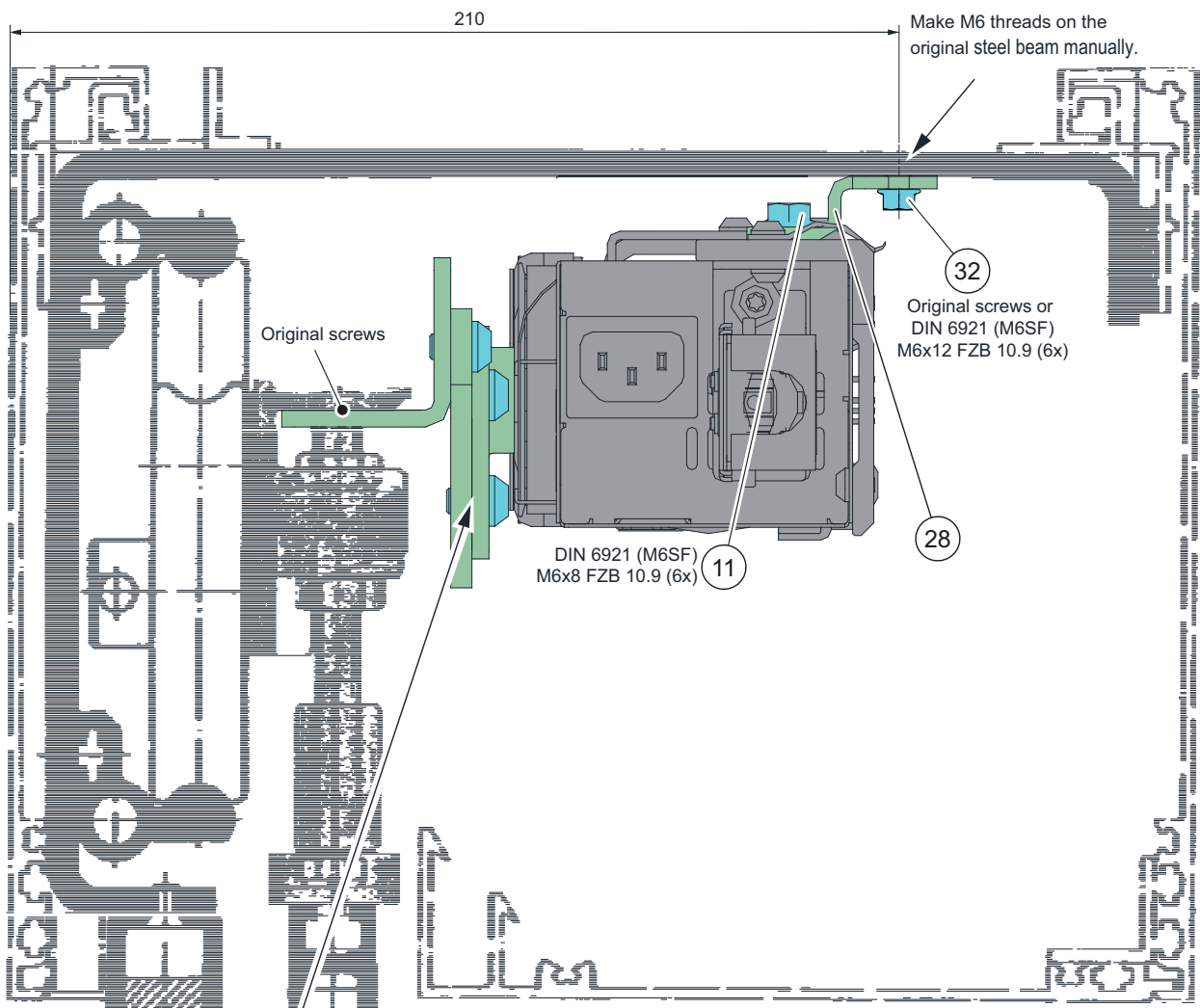
Record STA7



- 4 Screw
- 11 Screw
- 24 Connecting bracket
- 25 Bracket 1

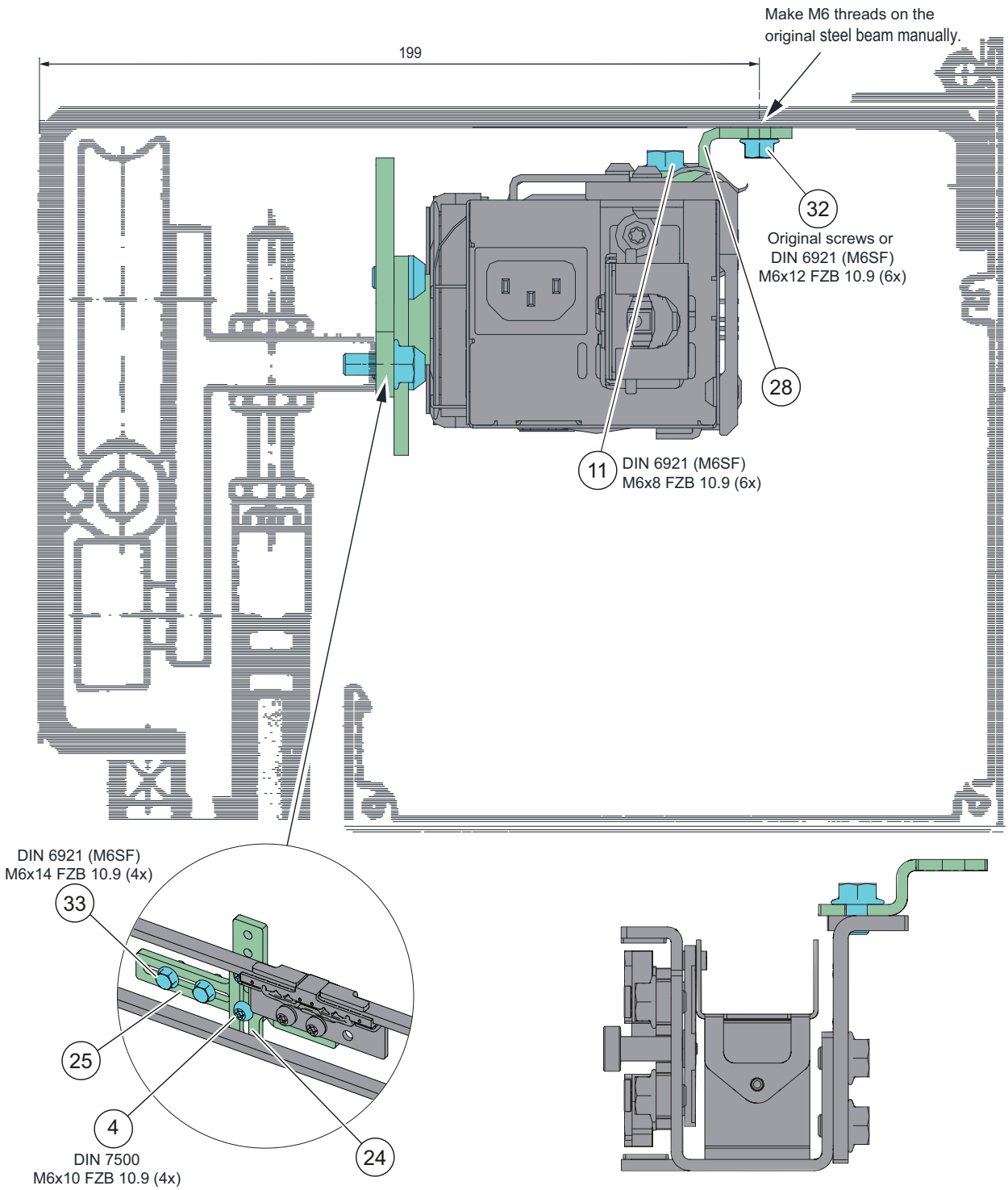
- 28 Mounting bracket
- 32 Screw
- 40 Bracket 2

Record STA8



- | | | | |
|----|--------------------|----|------------------|
| 4 | Screw | 28 | Mounting bracket |
| 11 | Screw | 32 | Screw |
| 24 | Connecting bracket | 40 | Bracket 2 |
| 25 | Bracket 1 | | |

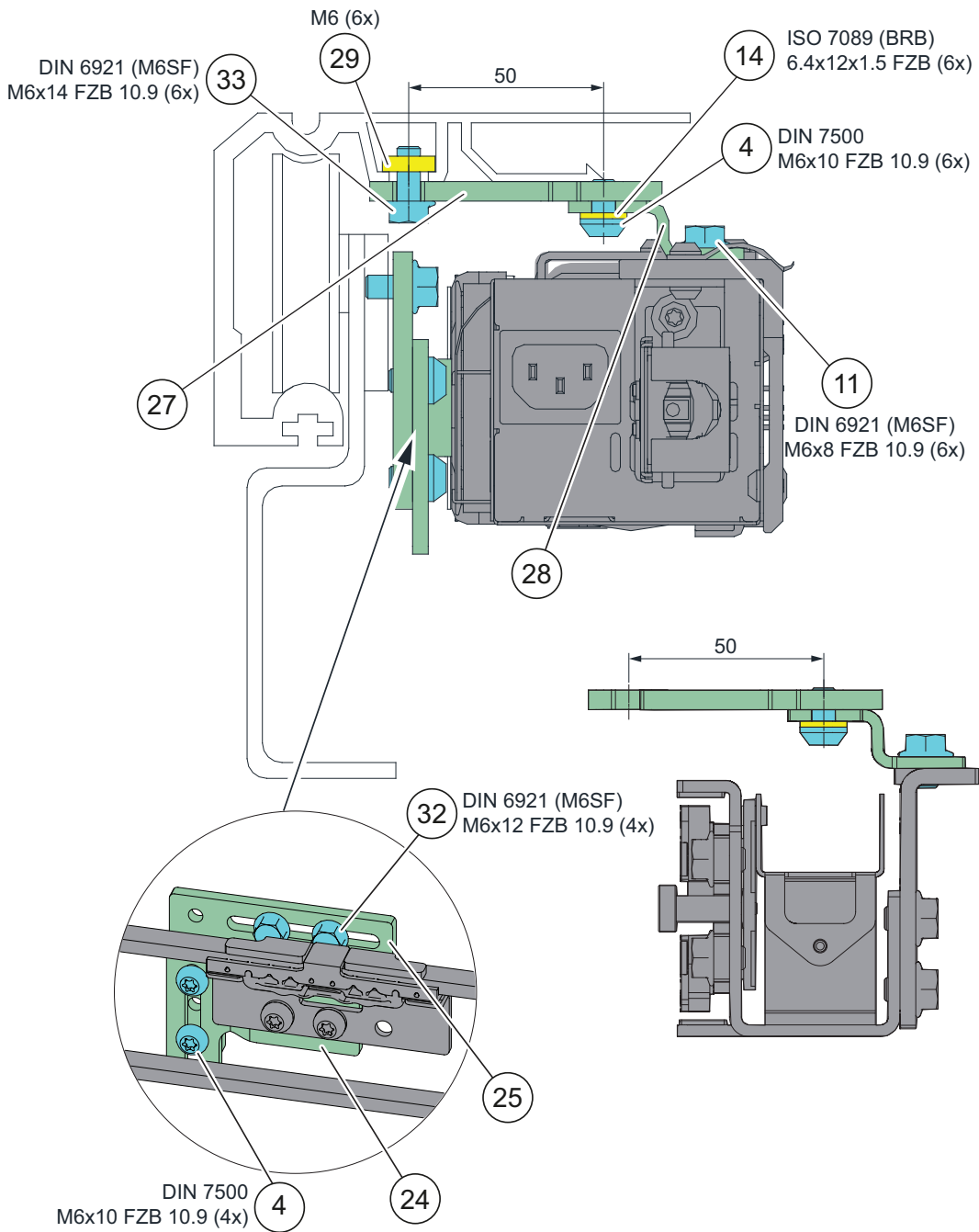
Record STA9/STA10



- 4 Screw
- 11 Screw
- 24 Connecting bracket
- 25 Bracket 1

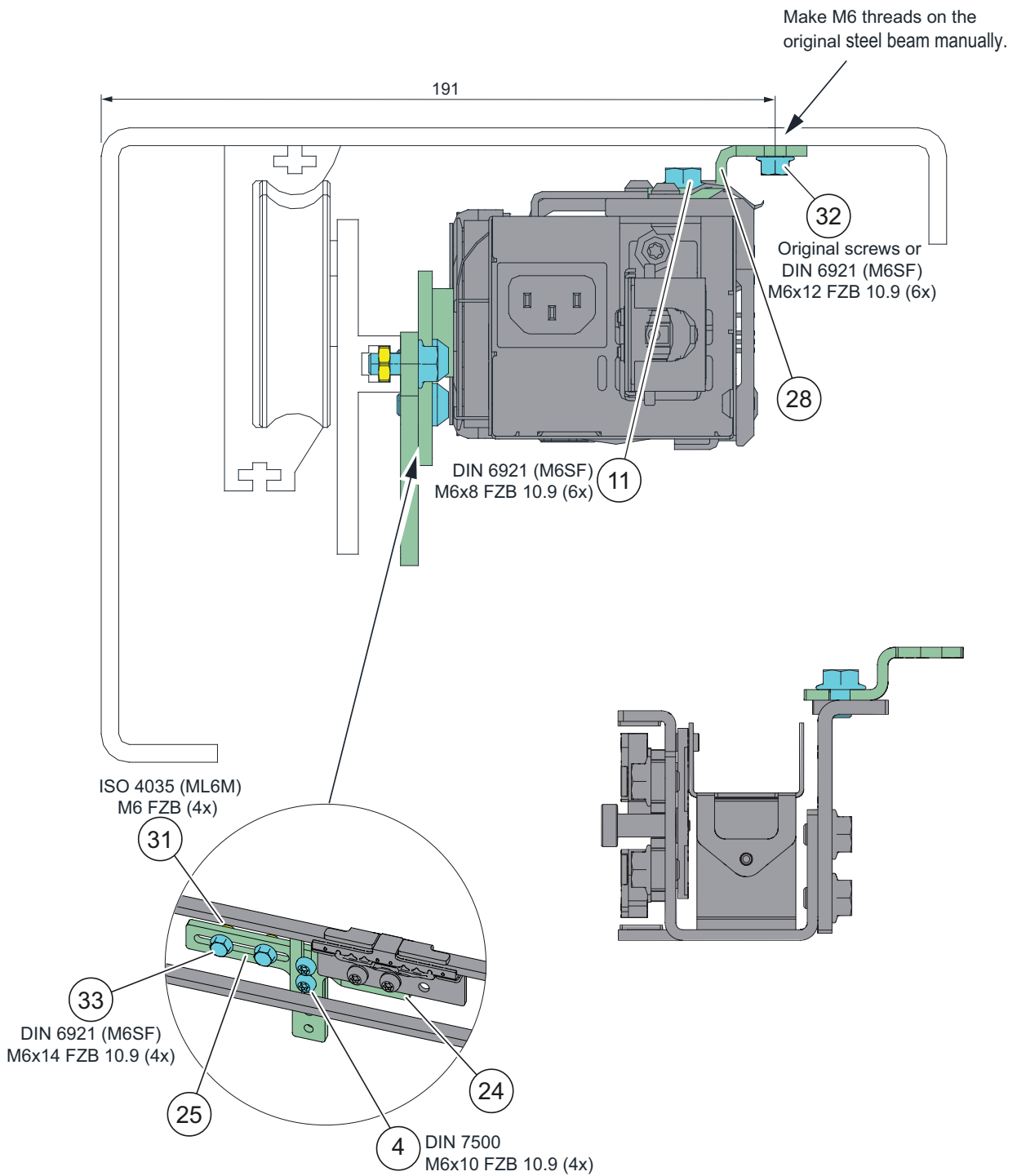
- 28 Mounting bracket
- 32 Screw
- 33 Screw

Record STA11



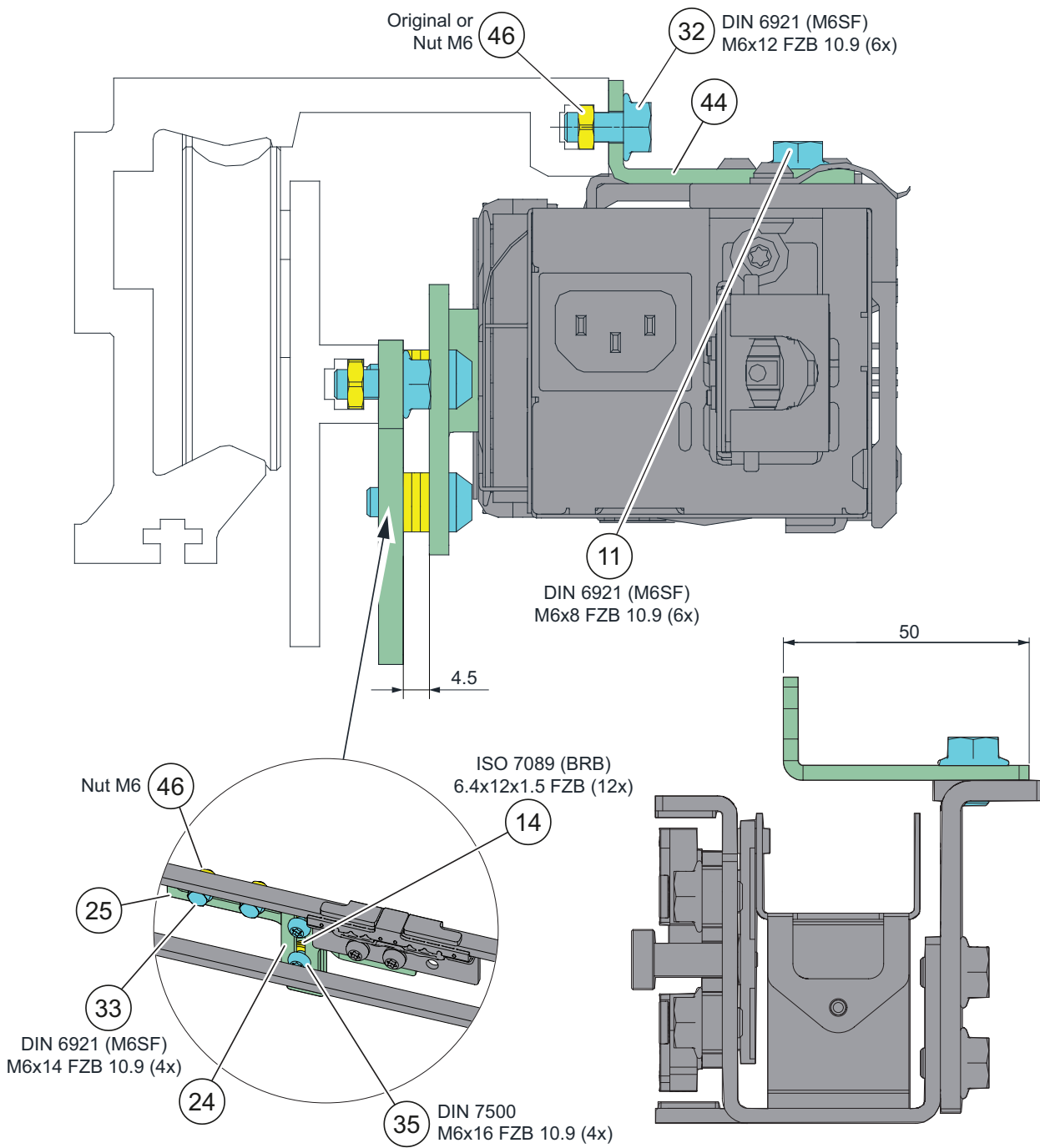
- | | | | |
|----|--------------------|----|------------------|
| 4 | Screw | 27 | Mounting plate |
| 11 | Screw | 28 | Mounting bracket |
| 14 | Washer | 29 | Square nut |
| 24 | Connecting bracket | 32 | Screw |
| 25 | Bracket 1 | 33 | Screw |

Record STA12/STA14 Steel



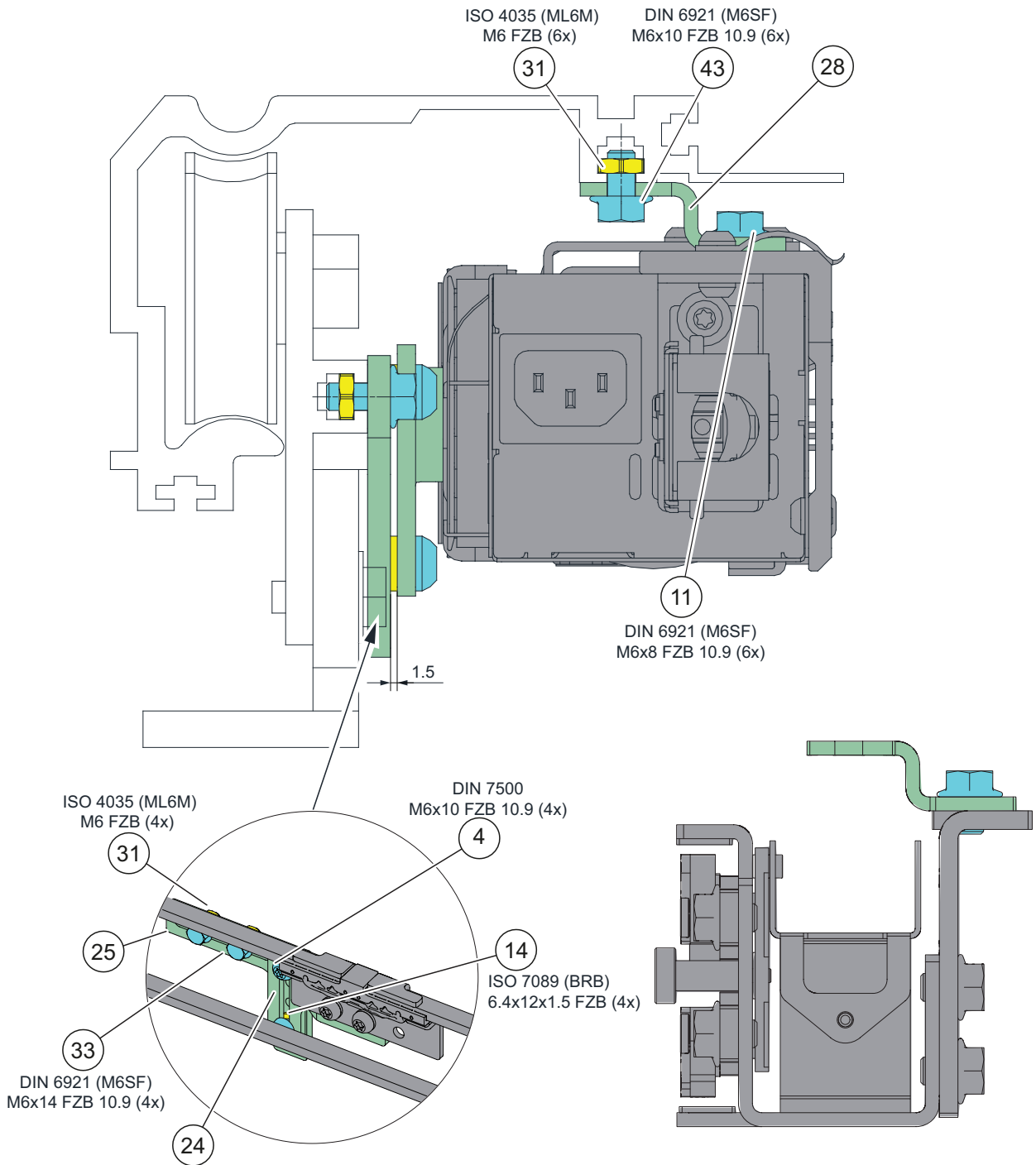
- | | | | |
|----|--------------------|----|------------------|
| 4 | Screw | 28 | Mounting bracket |
| 11 | Screw | 31 | Nut |
| 24 | Connecting bracket | 32 | Screw |
| 25 | Bracket 1 | 33 | Screw |

Record STA12/STA14 AL



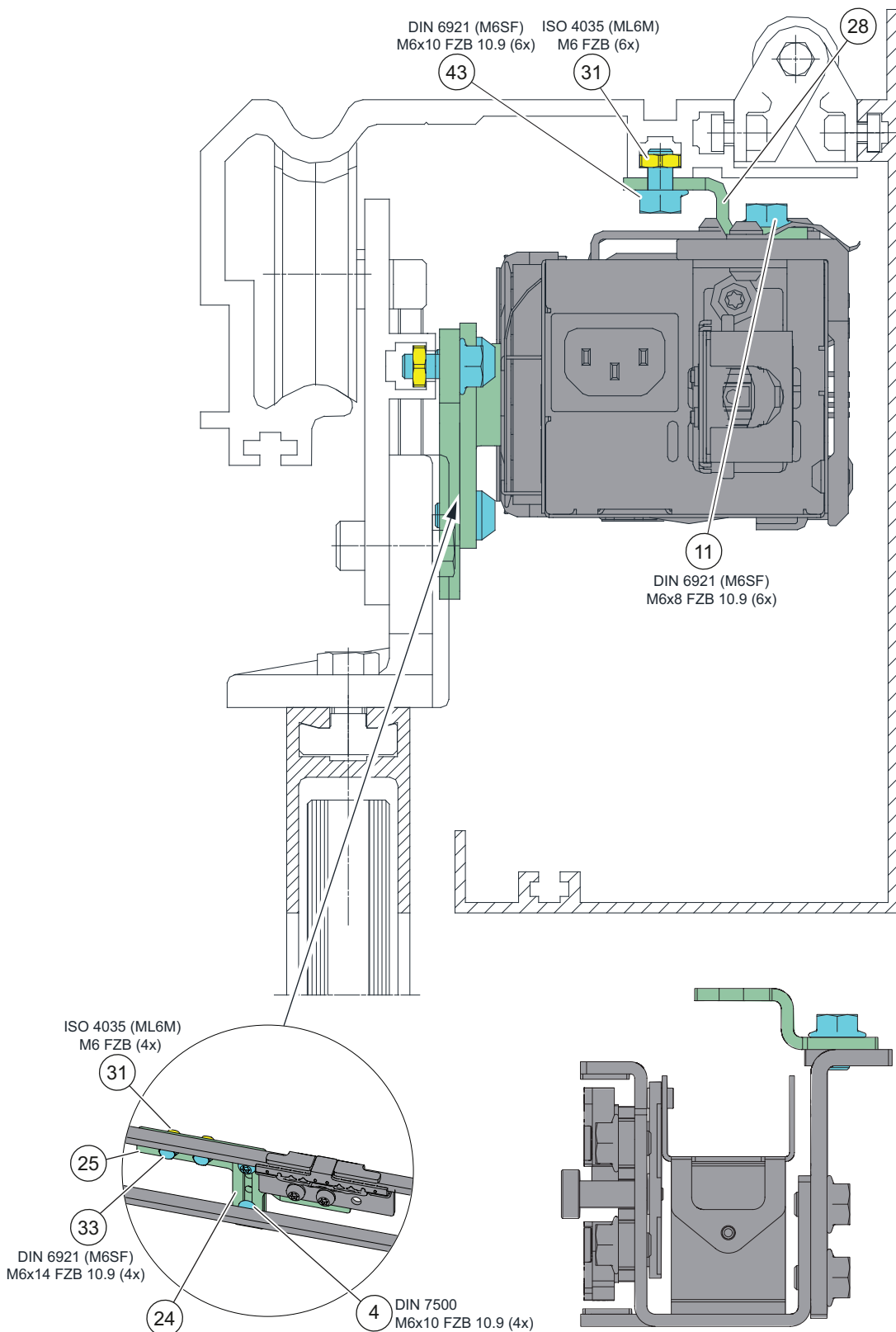
- | | |
|-----------------------|--------------|
| 11 Screw | 33 Screw |
| 14 Washer | 35 Screw |
| 24 Connecting bracket | 44 Bracket 4 |
| 25 Bracket 1 | 46 Nut |
| 32 Screw | |

Record STA13



- | | | | |
|----|--------------------|----|------------------|
| 4 | Screw | 28 | Mounting bracket |
| 11 | Screw | 31 | Nut |
| 14 | Washer | 33 | Screw |
| 24 | Connecting bracket | 43 | Screw |
| 25 | Bracket 1 | | |

Record STA15



- | | | | |
|----|--------------------|----|------------------|
| 4 | Screw | 28 | Mounting bracket |
| 11 | Screw | 31 | Nut |
| 24 | Connecting bracket | 33 | Screw |
| 25 | Bracket 1 | 43 | Screw |

Record STA16/17

Note! * Cut the original beam to several pieces.

Bi-parting

2/3 of the original beam for backbone assembly.

1/6 of the original beam for tension wheel.

1/6 of the original beam for belt lock.

Left opening

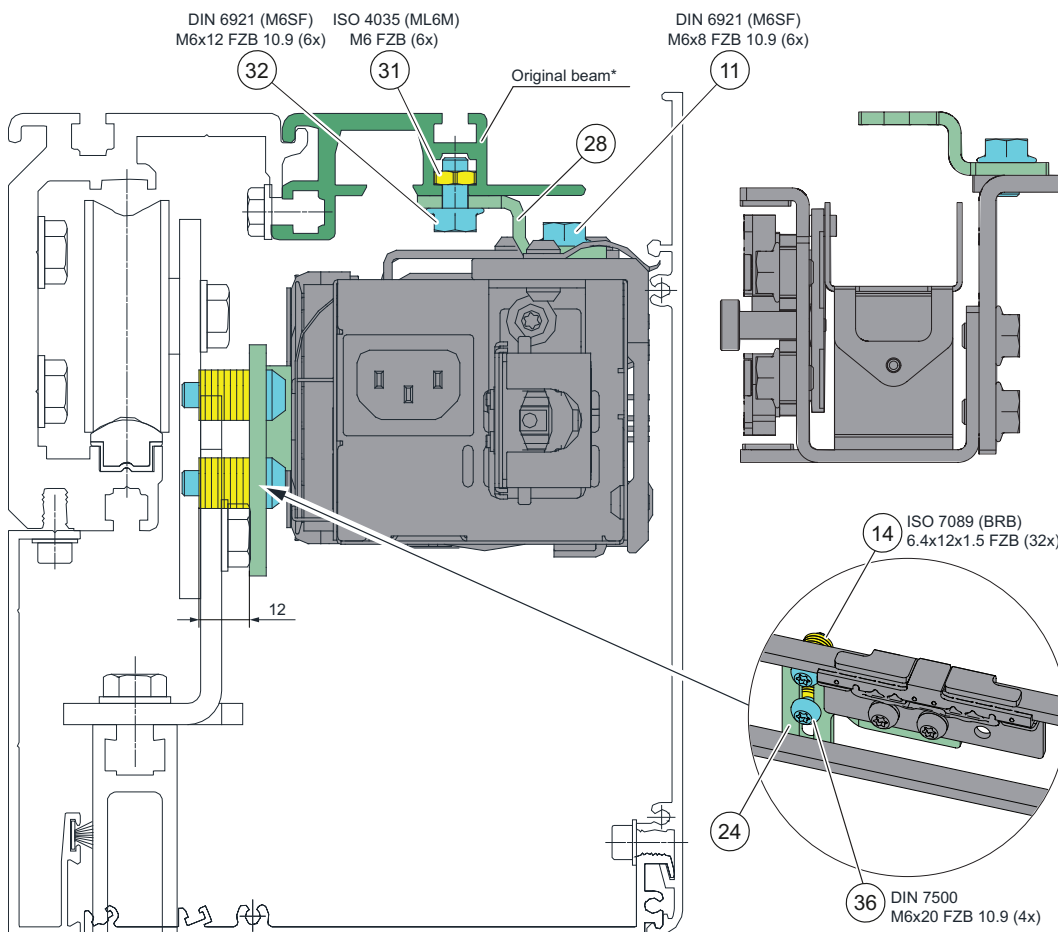
2/3 of the original beam for backbone assembly.

1/3 of the original beam for tension wheel and belt lock.

Right opening

2/3 of the original beam for backbone assembly and belt lock.

1/3 of the original beam for tension wheel.



11 Screw

14 Washer

24 Connecting bracket

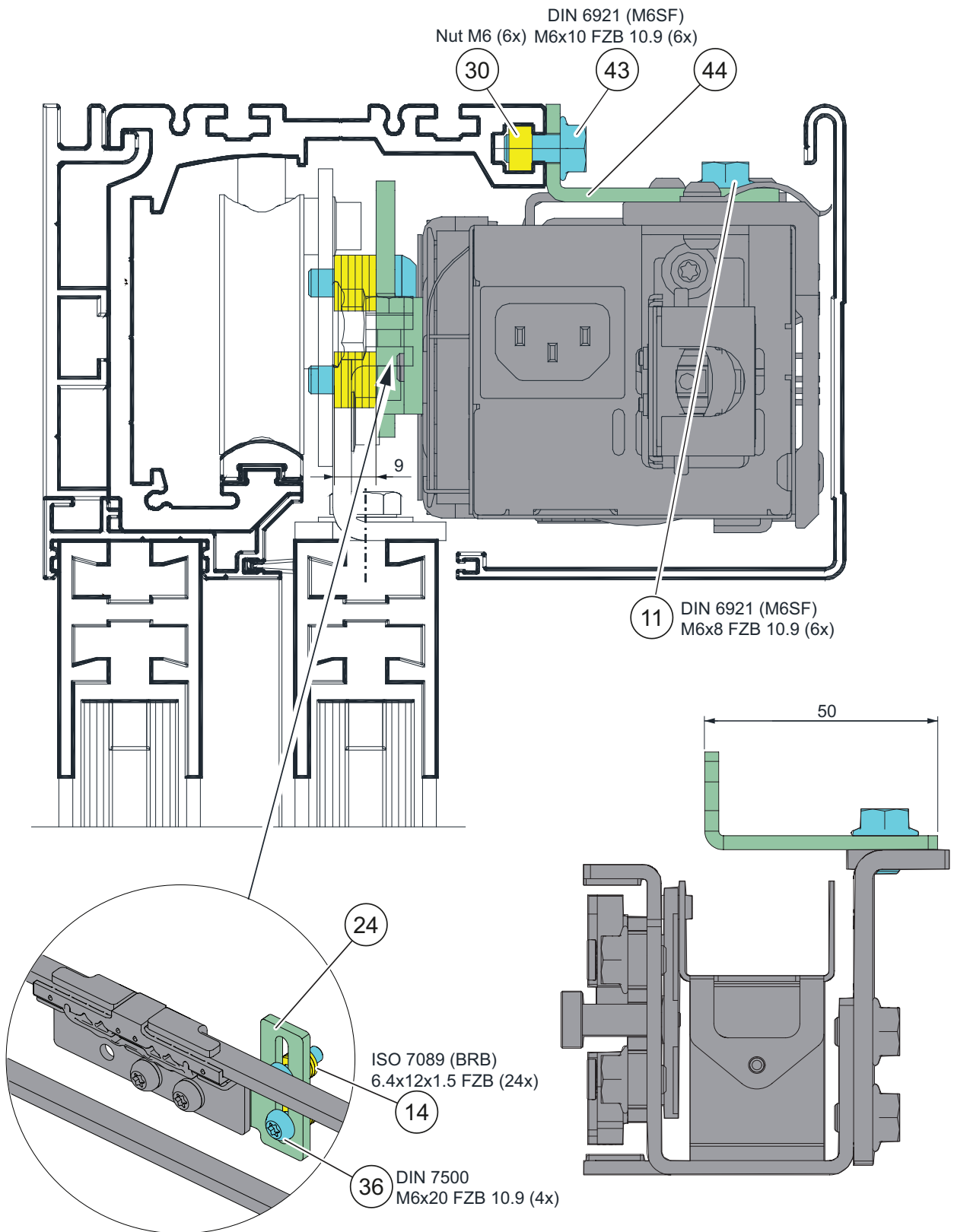
28 Mounting bracket

31 Nut

32 Screw

36 Screw

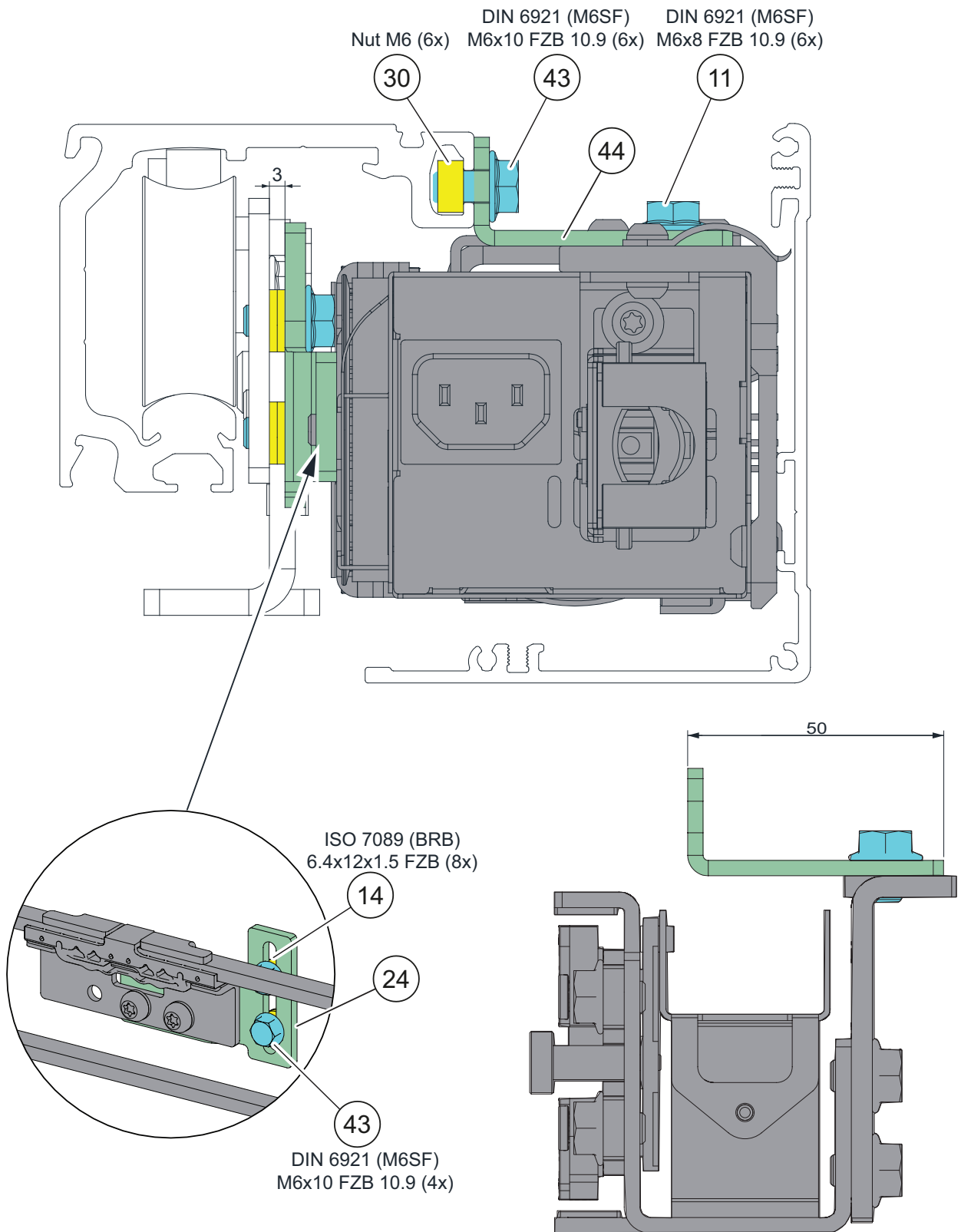
Record STA19



- 11 Screw
- 14 Washer
- 24 Connecting bracket
- 30 Nut

- 36 Screw
- 43 Screw
- 44 Bracket 4

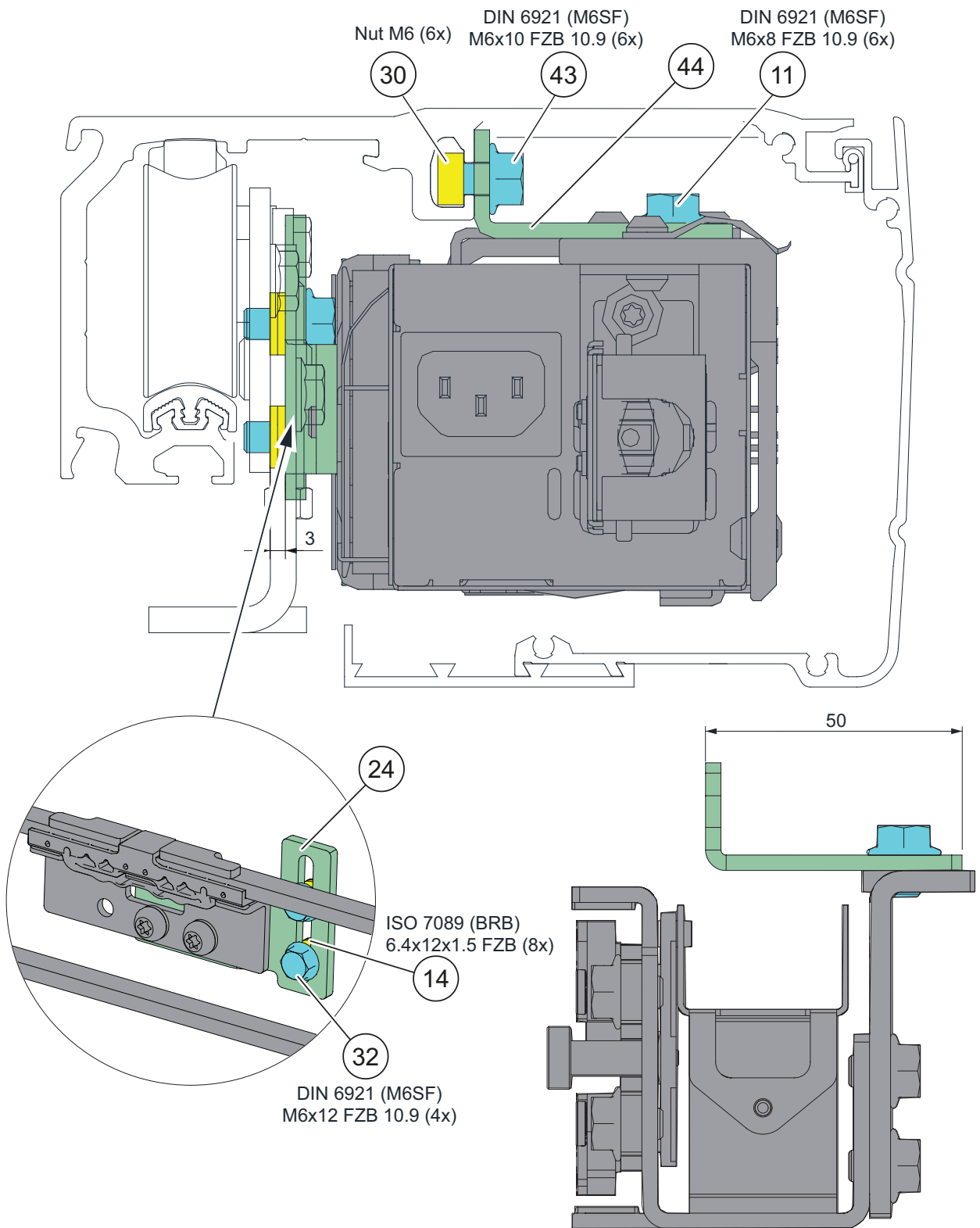
Record STA20



- 11 Screw
- 14 Washer
- 24 Connecting bracket
- 30 Nut

- 24 Connecting bracket
- 44 Bracket 4

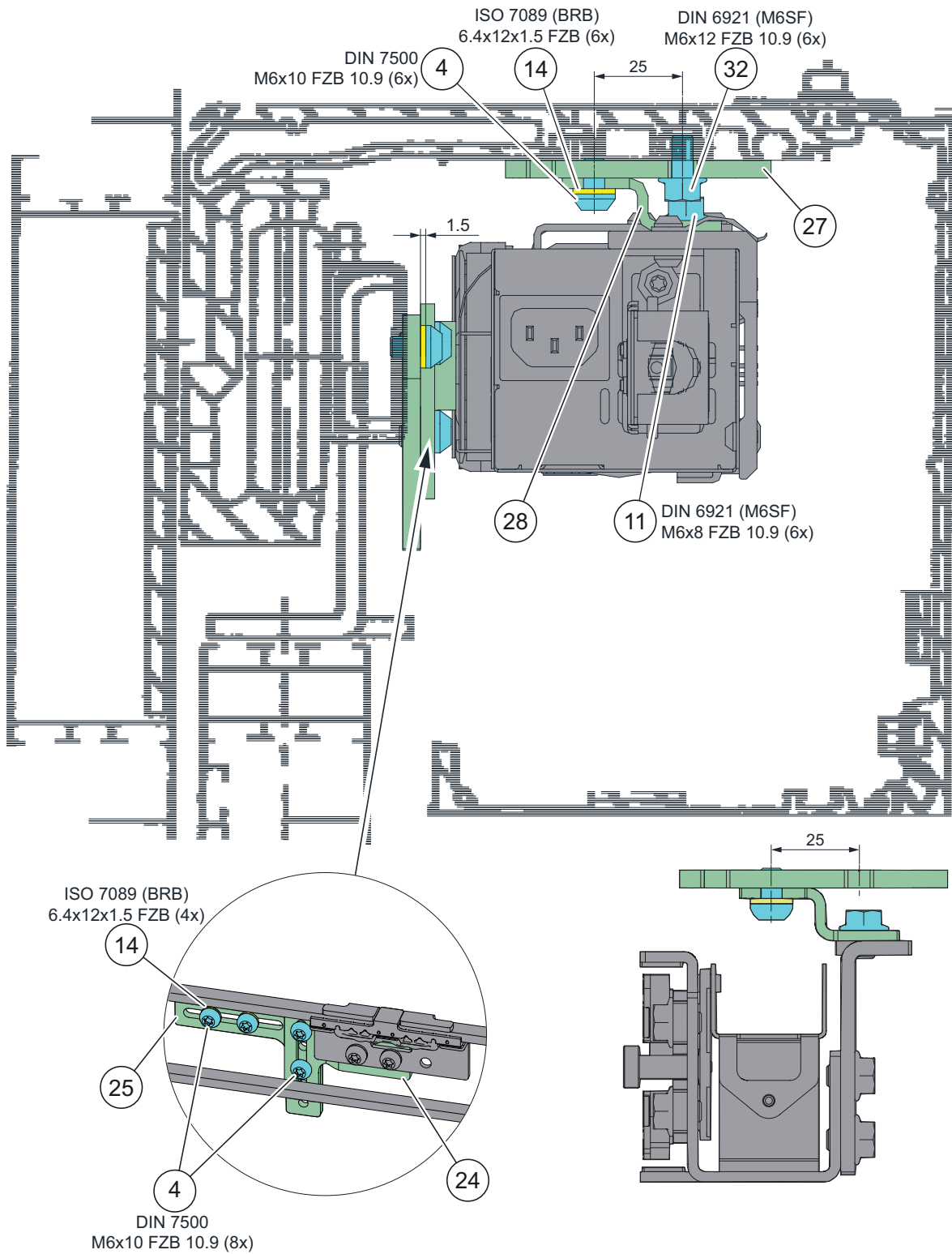
Record STA21



- 11 Screw
- 14 Washer
- 24 Connecting bracket
- 30 Nut

- 32 Screw
- 43 Screw
- 44 Bracket 4

Tormax TMP



4 Screw

11 Screw

14 Washer

24 Connecting bracket

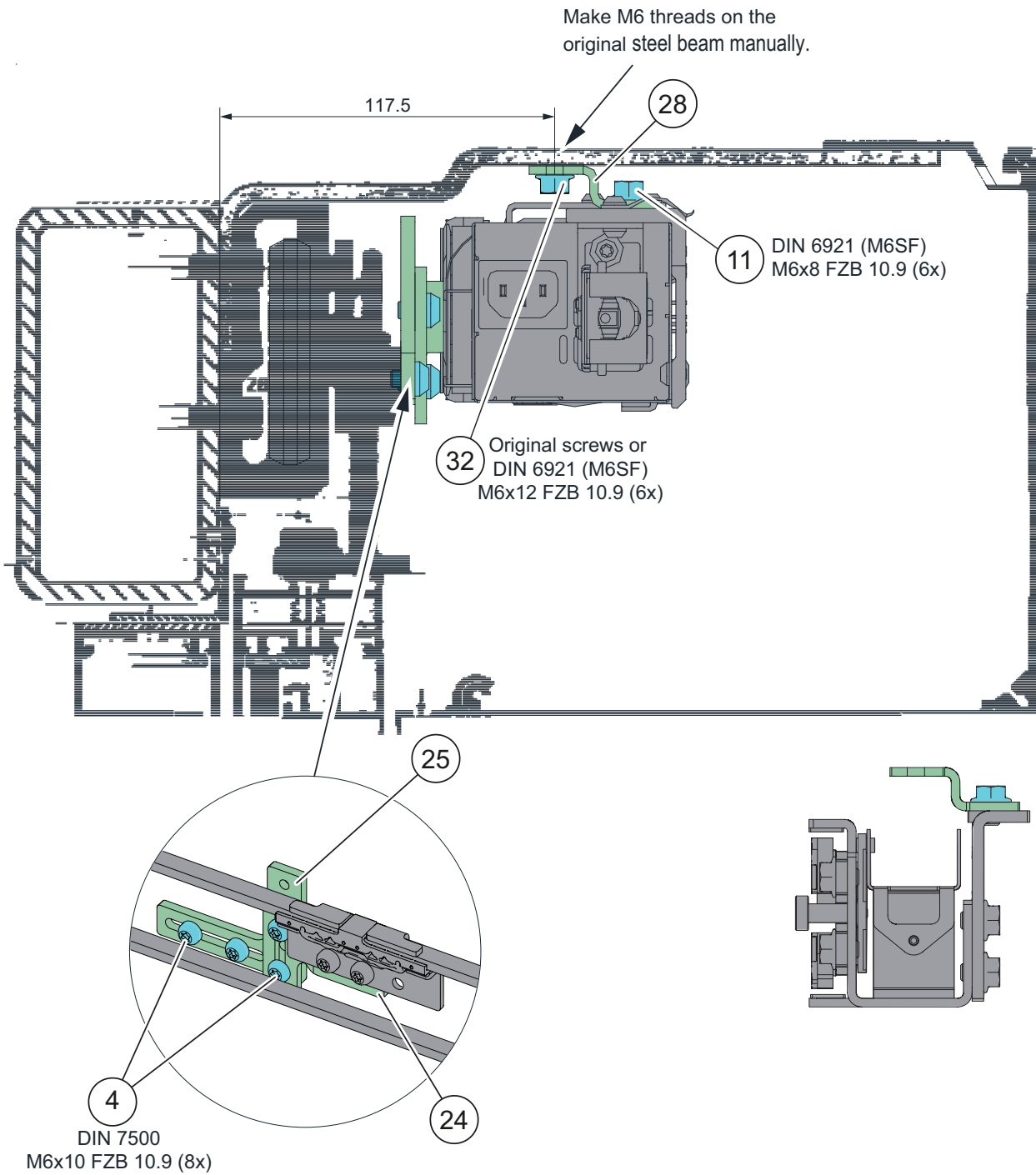
25 Bracket 1

27 Mounting plate

28 Mounting bracket

32 Screw

Tormax TX/TM/TMX



4 Screw

11 Screw

24 Connecting bracket

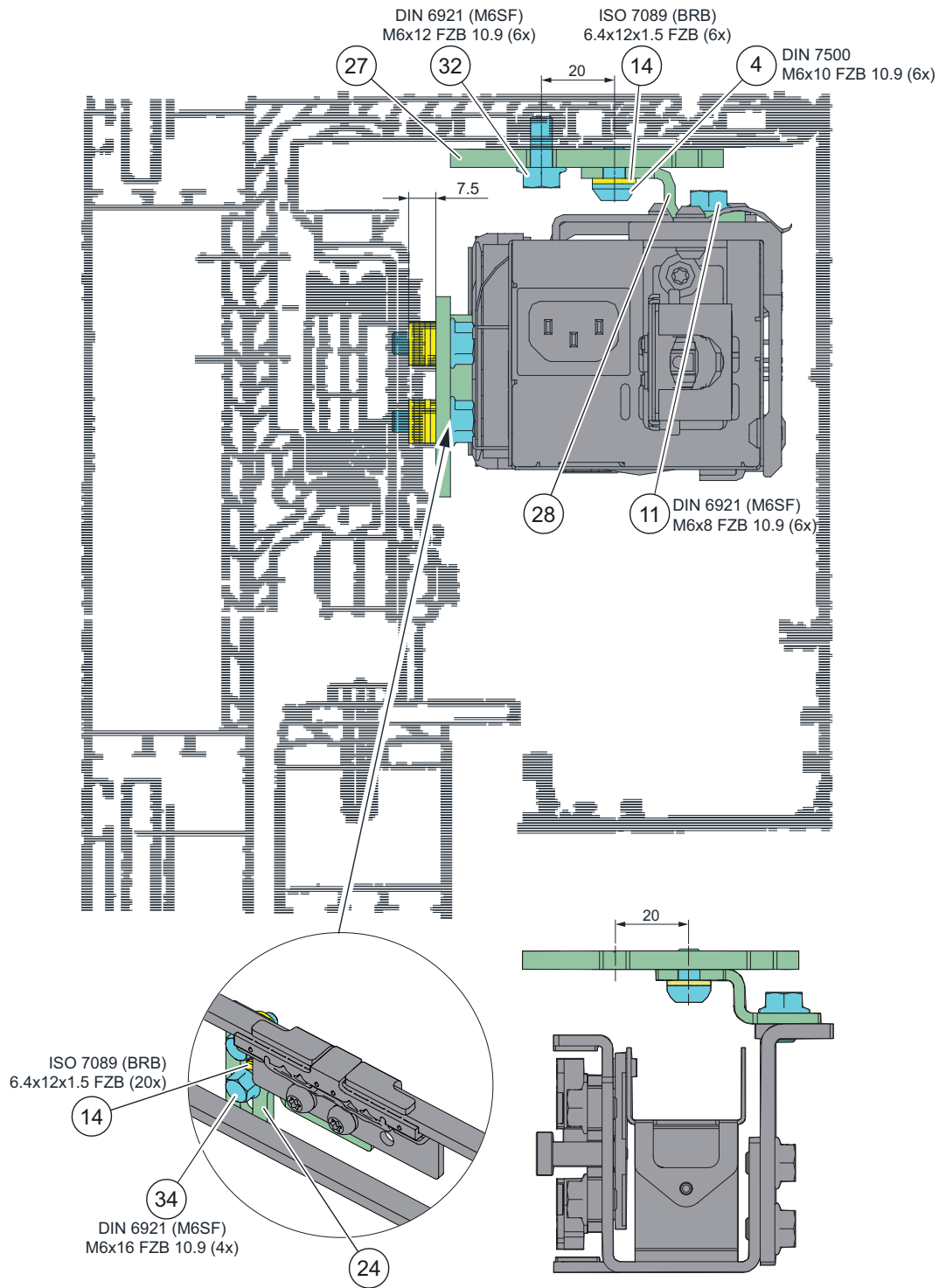
25 Bracket 1

24 Connecting bracket

28 Mounting bracket

32 Screw

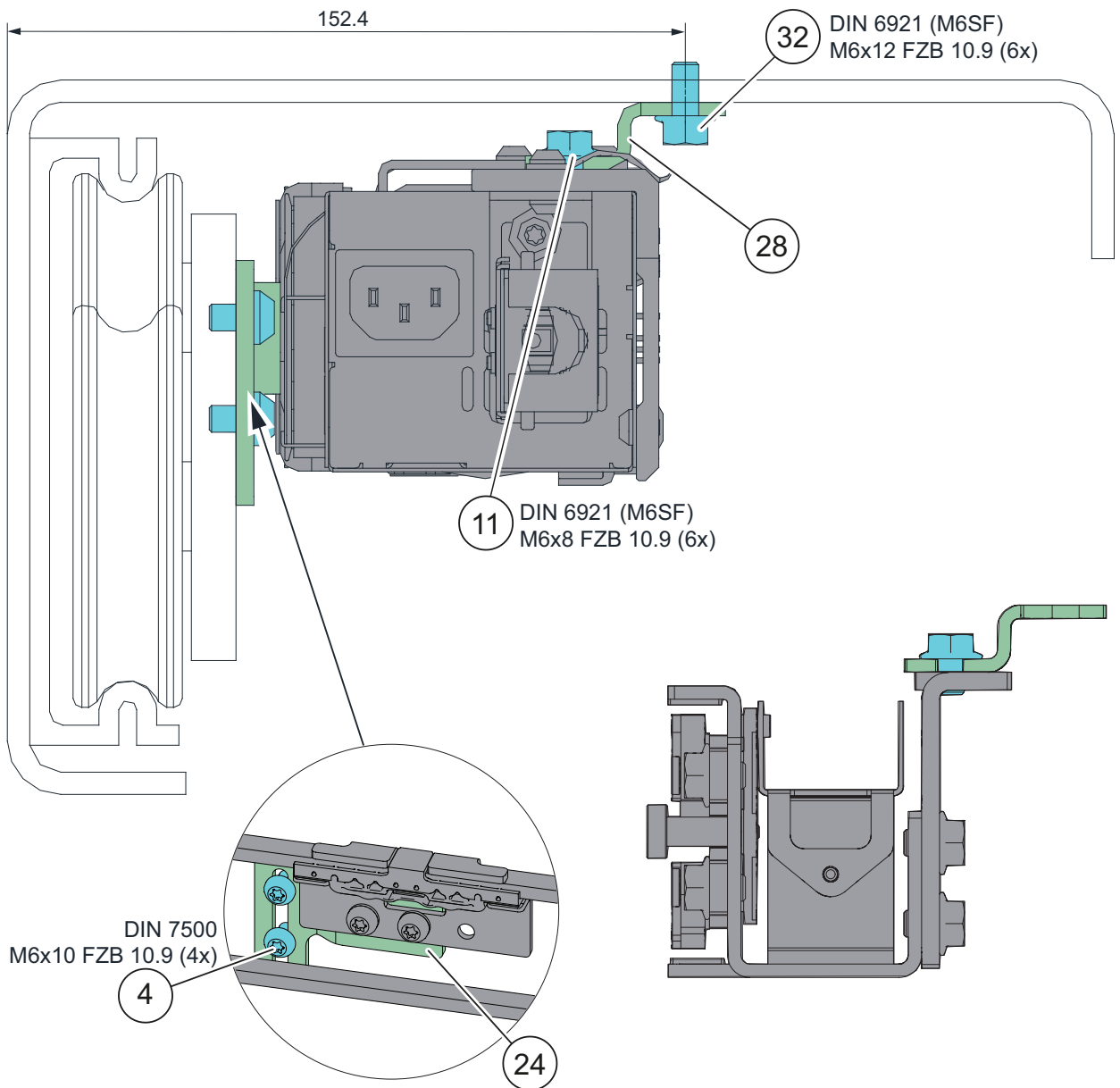
Tormax TEP/TXP



- 4 Screw
- 11 Screw
- 14 Washer
- 24 Connecting bracket

- 27 Mounting plate
- 28 Mounting bracket
- 32 Screw
- 34 Screw

Waldoor EC



4 Screw

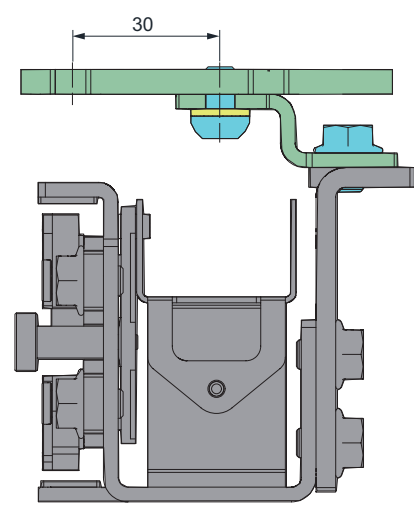
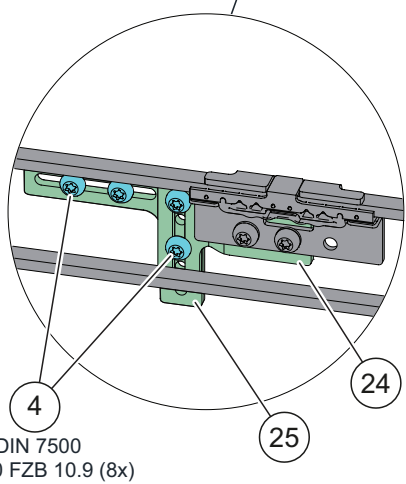
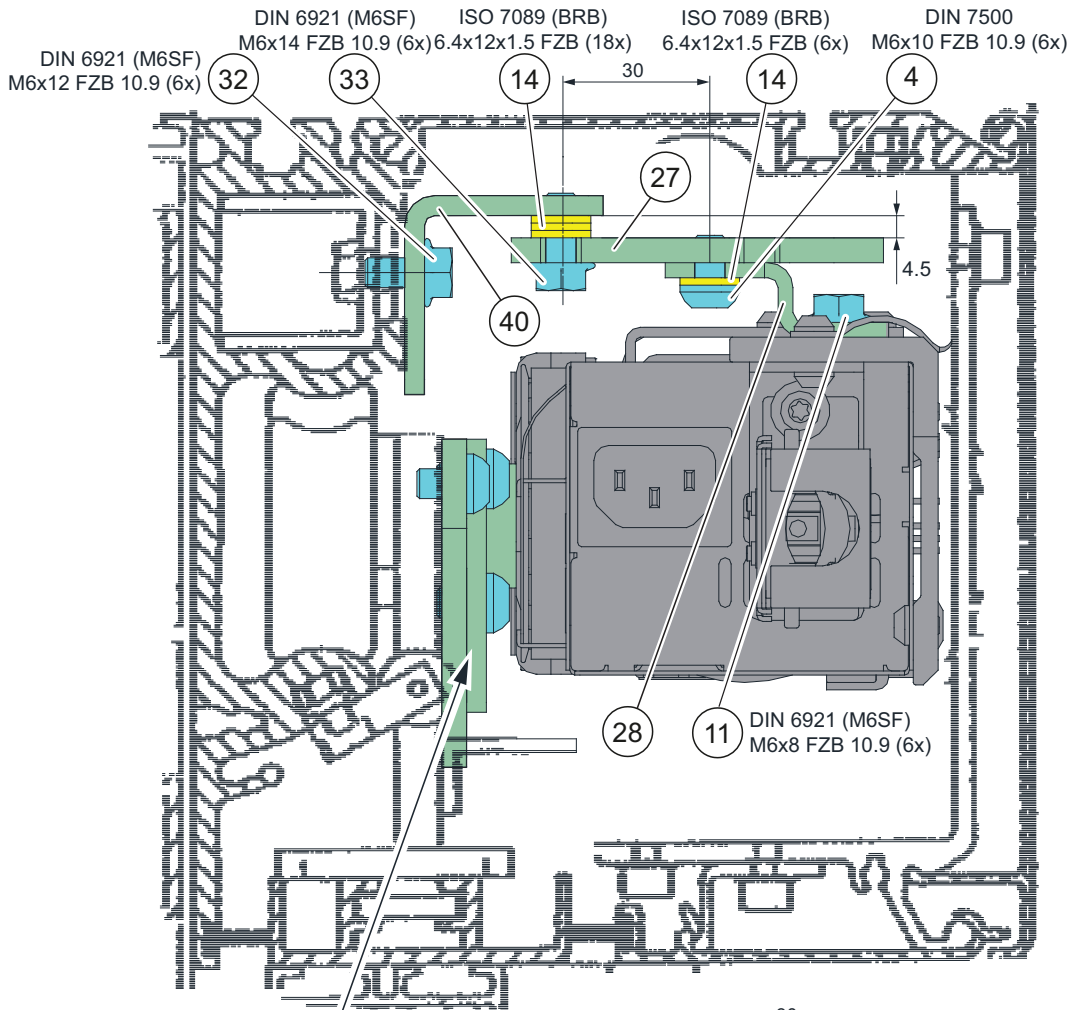
11 Screw

24 Connecting bracket

28 Mounting bracket

32 Screw

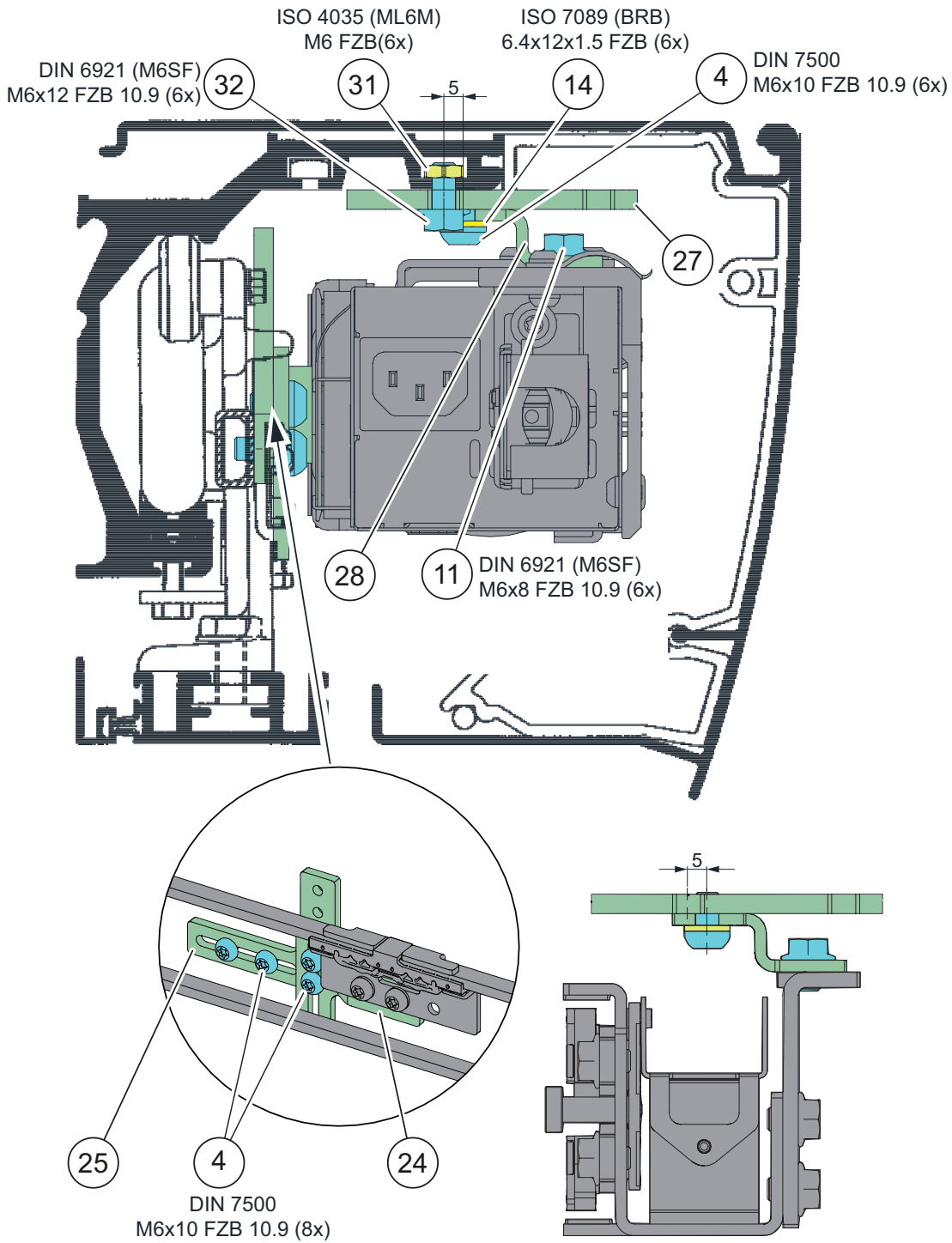
Waldoor UC



- 4 Screw
- 11 Screw
- 14 Washer
- 24 Connecting bracket
- 25 Bracket 1

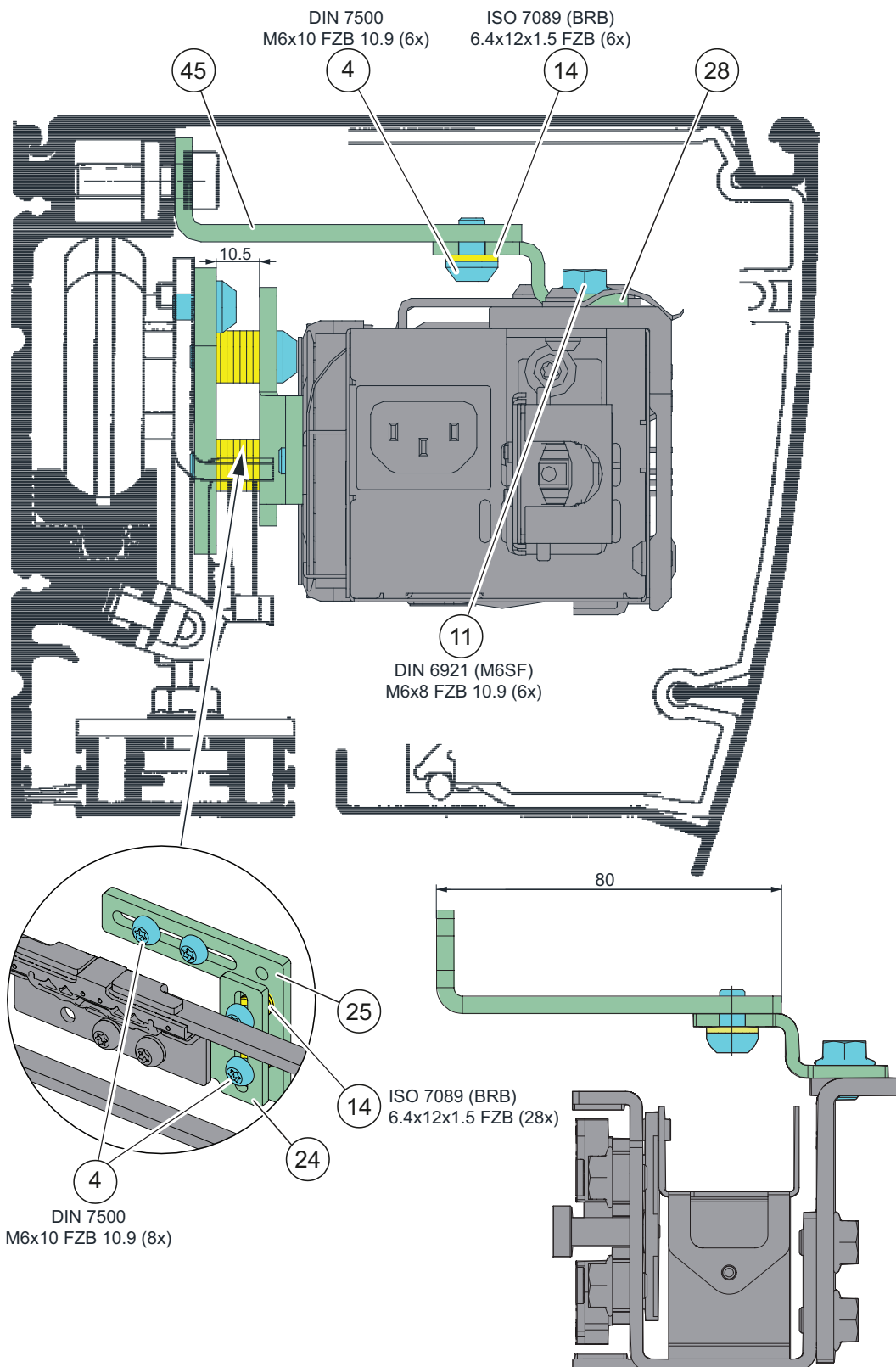
- 27 Mounting plate
- 28 Mounting bracket
- 32 Screw
- 33 Screw
- 40 Bracket 2

Waldoor UWS 800



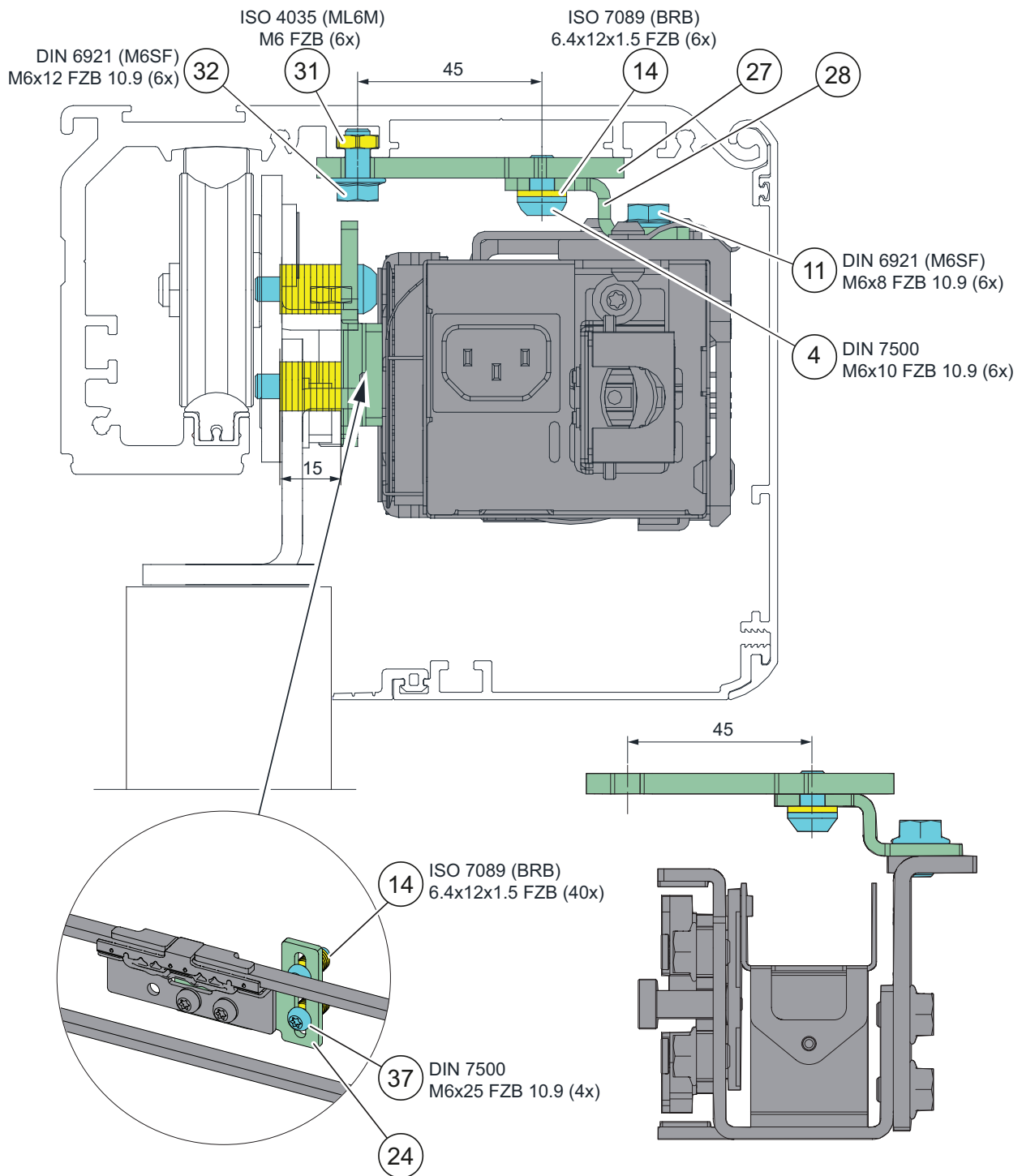
- | | | | |
|----|--------------------|----|------------------|
| 4 | Screw | 27 | Mounting plate |
| 11 | Screw | 28 | Mounting bracket |
| 14 | Washer | 31 | Nut |
| 24 | Connecting bracket | 33 | Screw |
| 25 | Bracket 1 | | |

Waldoor UWS 2400



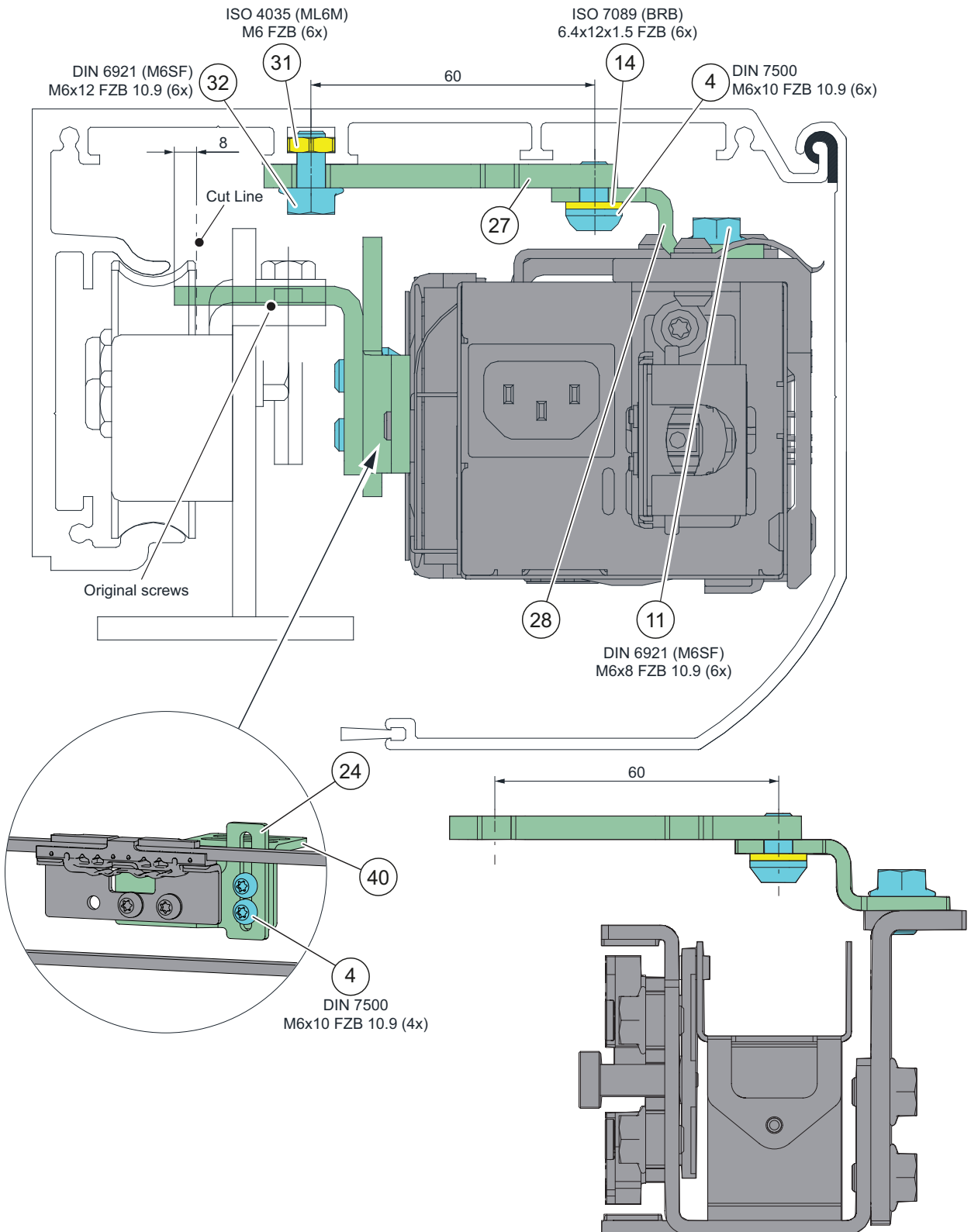
- | | | | |
|----|--------------------|----|------------------|
| 4 | Screw | 25 | Bracket 1 |
| 11 | Screw | 28 | Mounting bracket |
| 14 | Washer | 45 | Bracket 5 |
| 24 | Connecting bracket | | |

Ditec VALOR (escape route)



- | | | | |
|----|--------------------|----|------------------|
| 4 | Screw | 28 | Mounting bracket |
| 11 | Screw | 31 | Nut |
| 14 | Washer | 32 | Screw |
| 24 | Connecting bracket | 37 | Screw |
| 27 | Mounting plate | | |

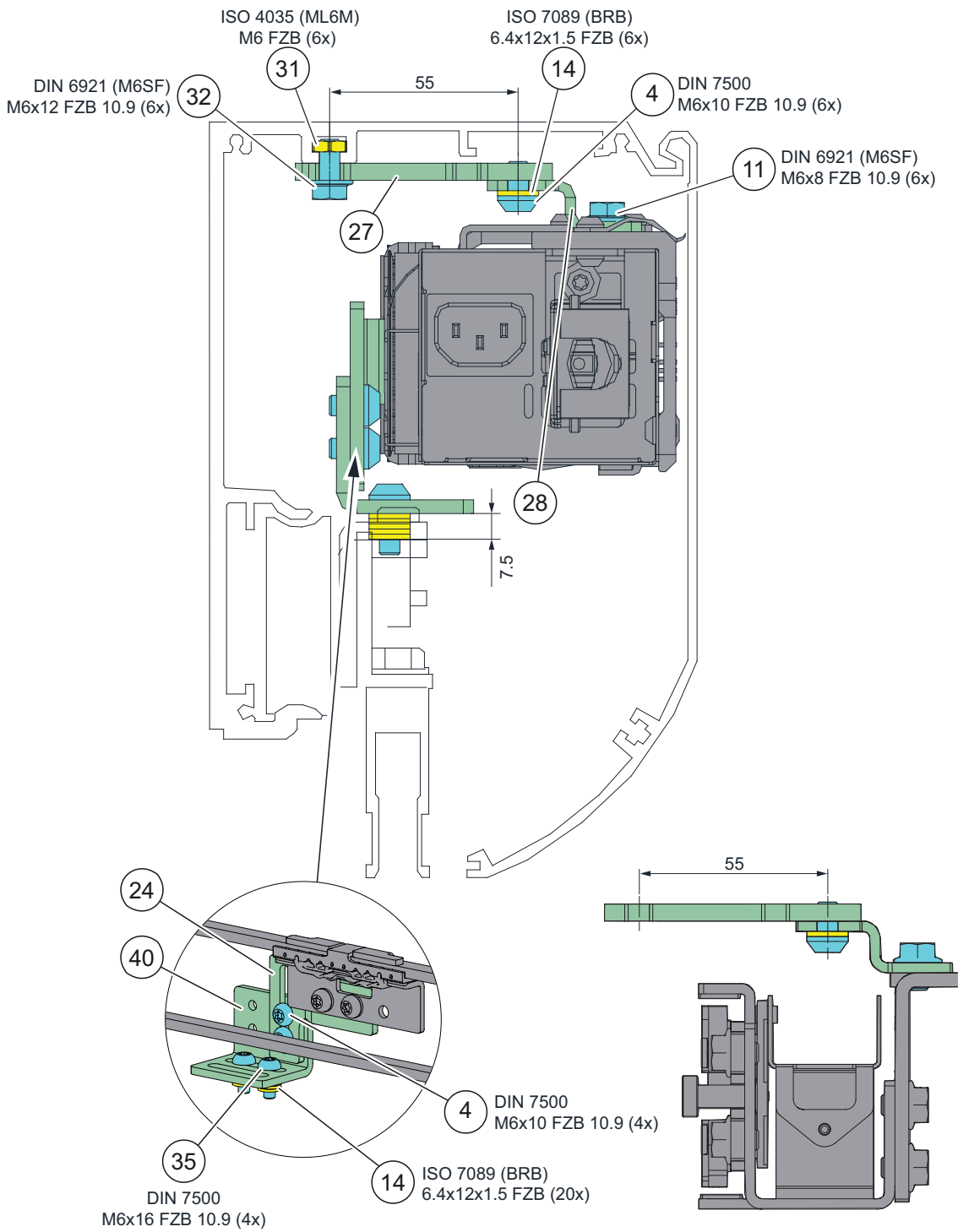
Ditec Bis O



- 4 Screw
- 11 Screw
- 14 Washer
- 24 Connecting bracket
- 27 Mounting plate

- 28 Mounting bracket
- 31 Nut
- 32 Screw
- 40 Bracket 2

Ditec Bis V

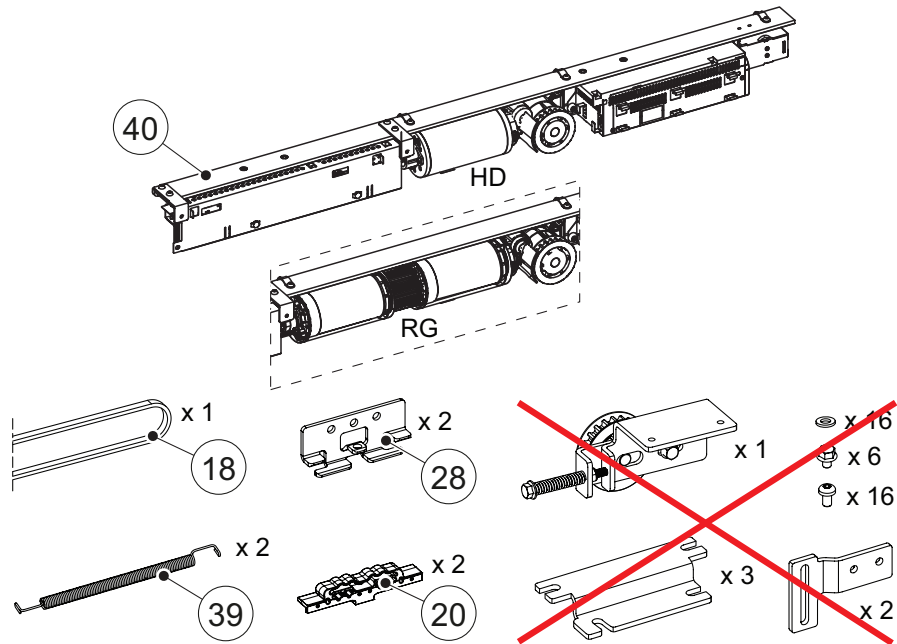


- | | | | |
|----|--------------------|----|------------------|
| 4 | Screw | 28 | Mounting bracket |
| 11 | Screw | 31 | Nut |
| 14 | Washer | 32 | Screw |
| 24 | Connecting bracket | 35 | Screw |
| 27 | Mounting plate | 40 | Bracket 2 |

4.2 Ditec KS800BTX additional bracket kit for Tormax iMotion 2202

4.2.1 Preparing the components

- Components of KS200



18 Tooth belt

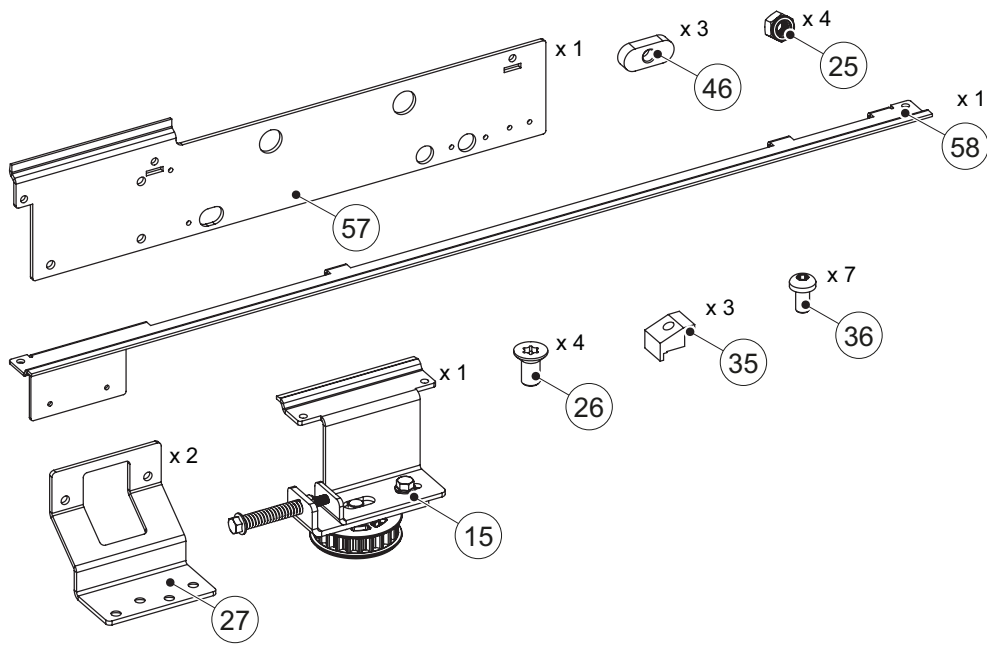
20 Belt clamp

28 Universal transmission bracket

39 Slack reducer (Not needed, if belt lock equipped)

40 Backbone assembly

• Components of TORMAX iMotion 2202

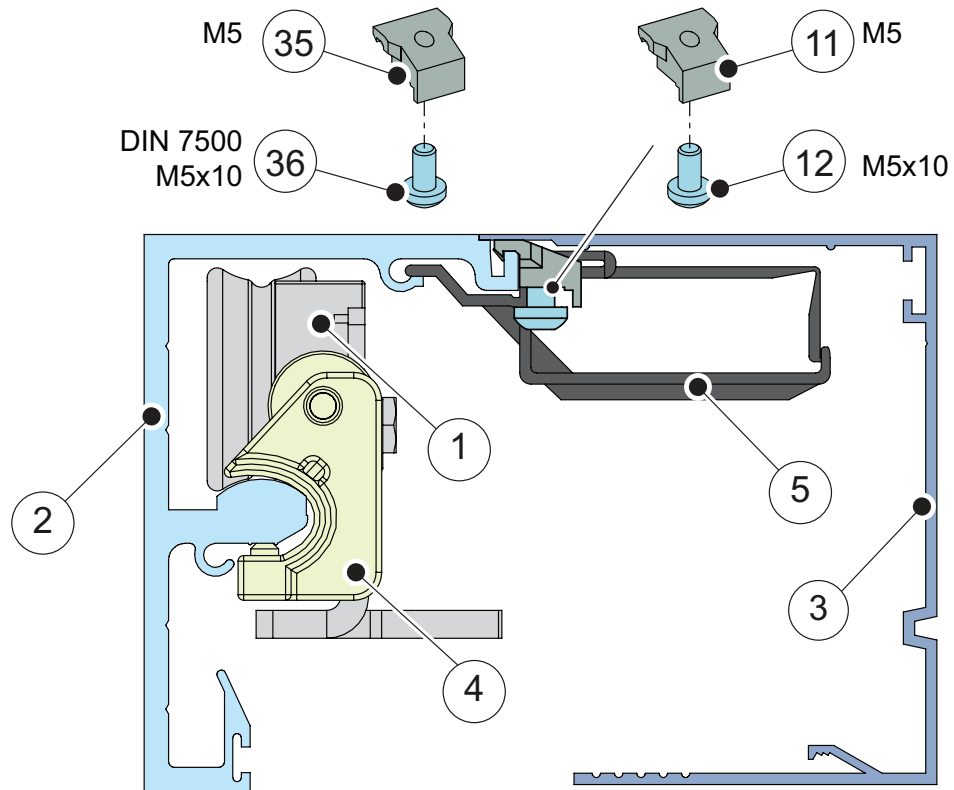


- | | | | |
|----|------------------------------|----|---------------------------|
| 15 | Belt Tension | 36 | Screw: DIN 7500 M5x10 |
| 25 | Nut: DIN 985 M6 (M6M) | 46 | Nut: M6 |
| 26 | Screw: ISO 14581 (MFT) M6x12 | 48 | Drive unit plate |
| 27 | Transmission bracket | 49 | Electronic mounting plate |
| 35 | Nut: M5 | | |

4.2.2 Preparing

- a Dismount the original drive system, following components should be retained: door carriages (1), beam (2), cover set (3), door stops (4), cable holders (5), nuts (11) and screws (12).

Note! If there are not enough nuts (11) and screws (12), use the nuts (35) and the screws (36) to replace.

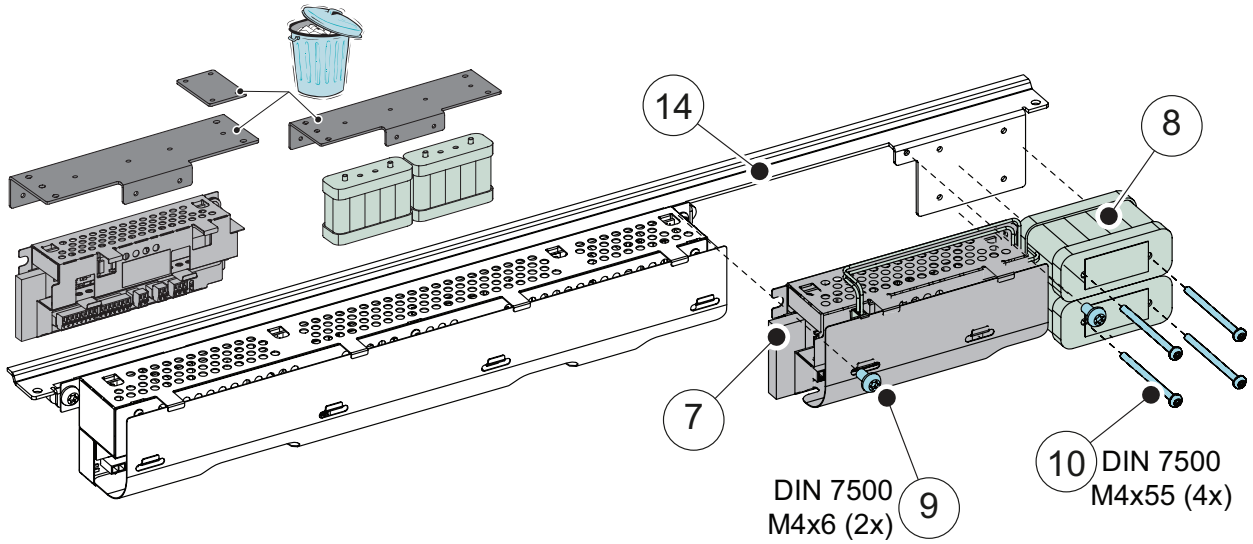


- 1 Door carriage
- 2 Beam
- 3 Cover set
- 4 Door stop
- 5 Cable holder
- 11 Nut
- 12 Screw
- 35 Nut
- 36 Screw

4.2.3 The IOU (KS902MP) and the battery (KS902BAT2) installation

Note! IOU must be selected when using bi-stable lock.

- a Remove the brackets for the IOU and battery.
Fix the IOU (7) and the battery (8) to the main control assembly (14) with the screws (9) and (10).

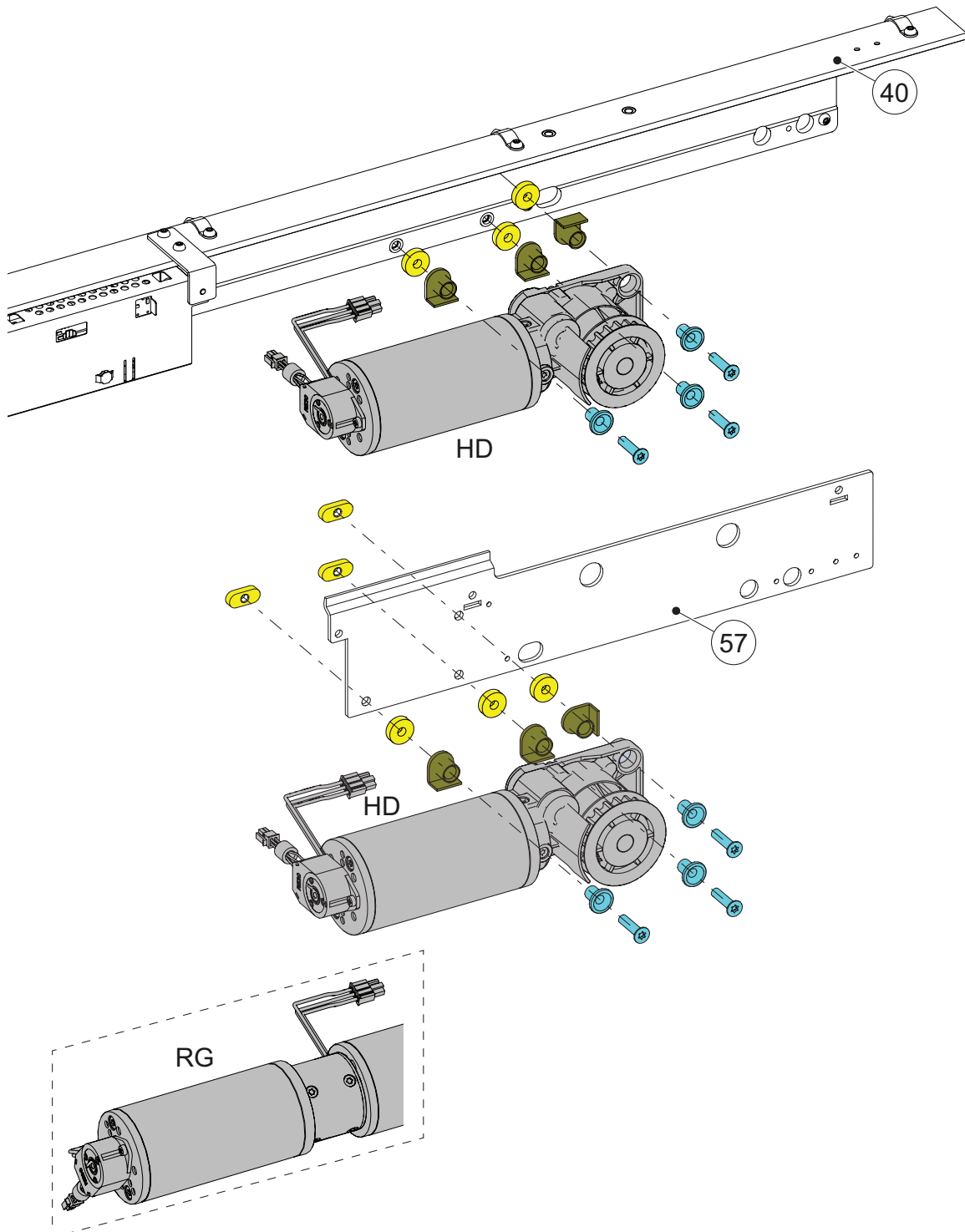


- 7 IOU (KS902MP)
- 8 Battery (KS902BAT2)
- 9 Screw
- 10 Screw
- 14 Main control assembly

4.2.4

Fix the nuts and screws on the drive unit kit and the main control assembly

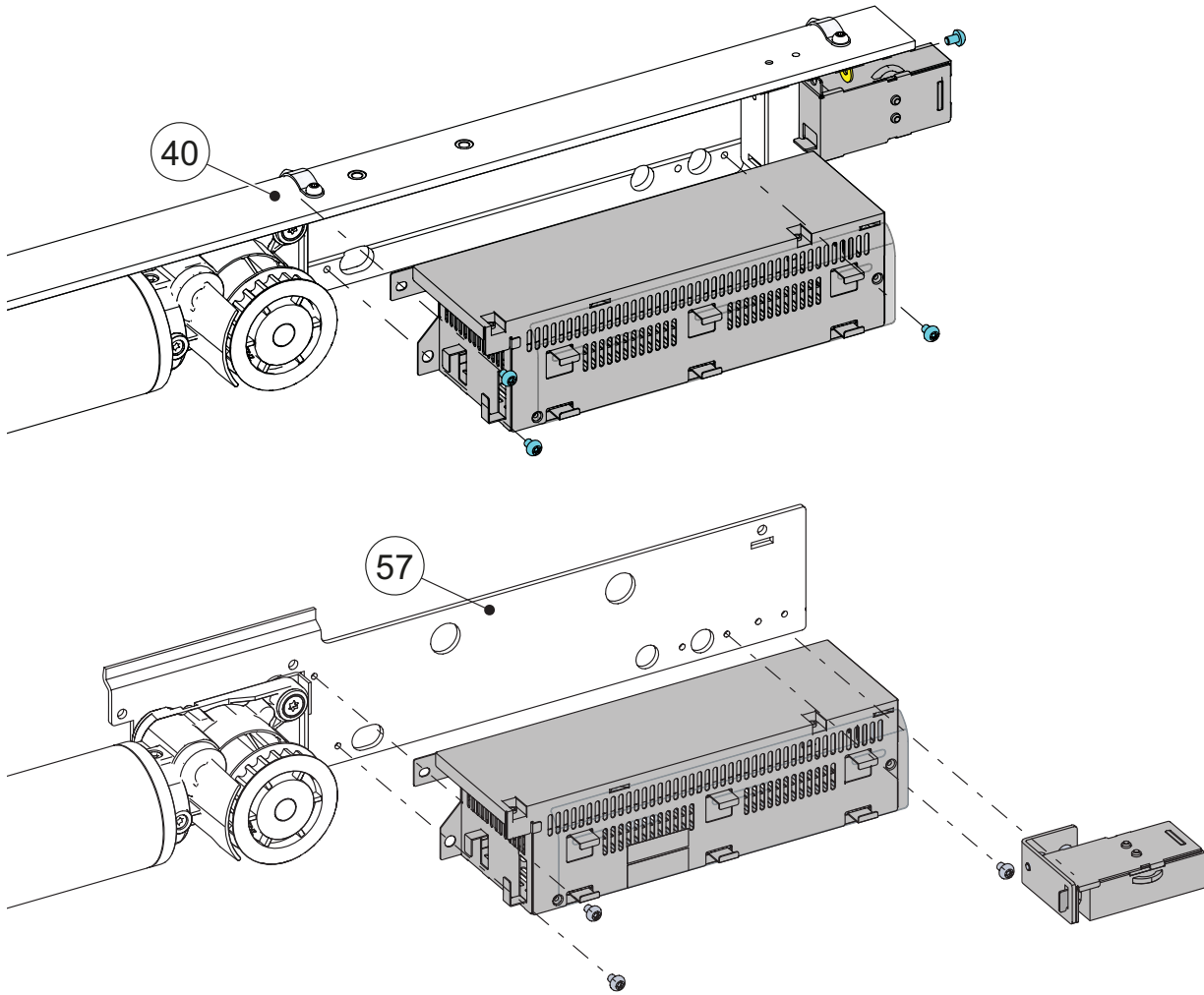
- a Take off the drive unit from the Backbone assembly (40), then fix it onto drive unit plate (57) with the original screws and washers.



40 Backbone assembly

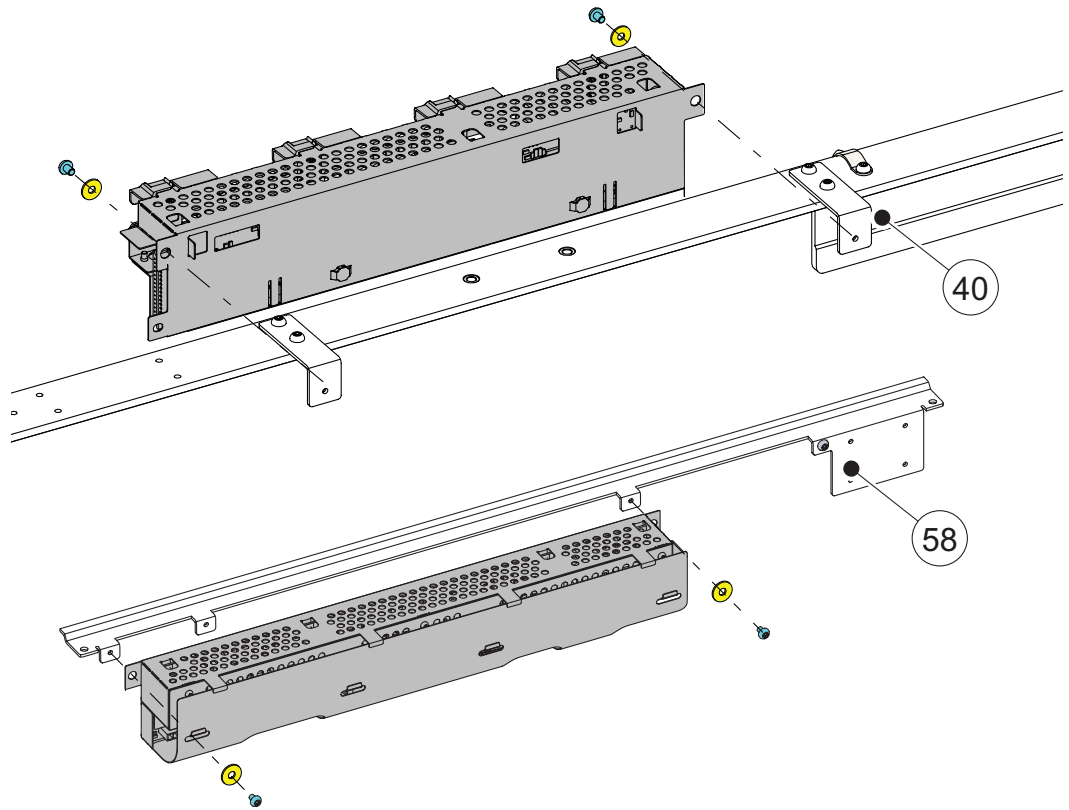
57 Drive unit plate

- b Take off the PSU from the Backbone assembly (40), then fix it onto drive unit plate (57) with the original screws and other components.



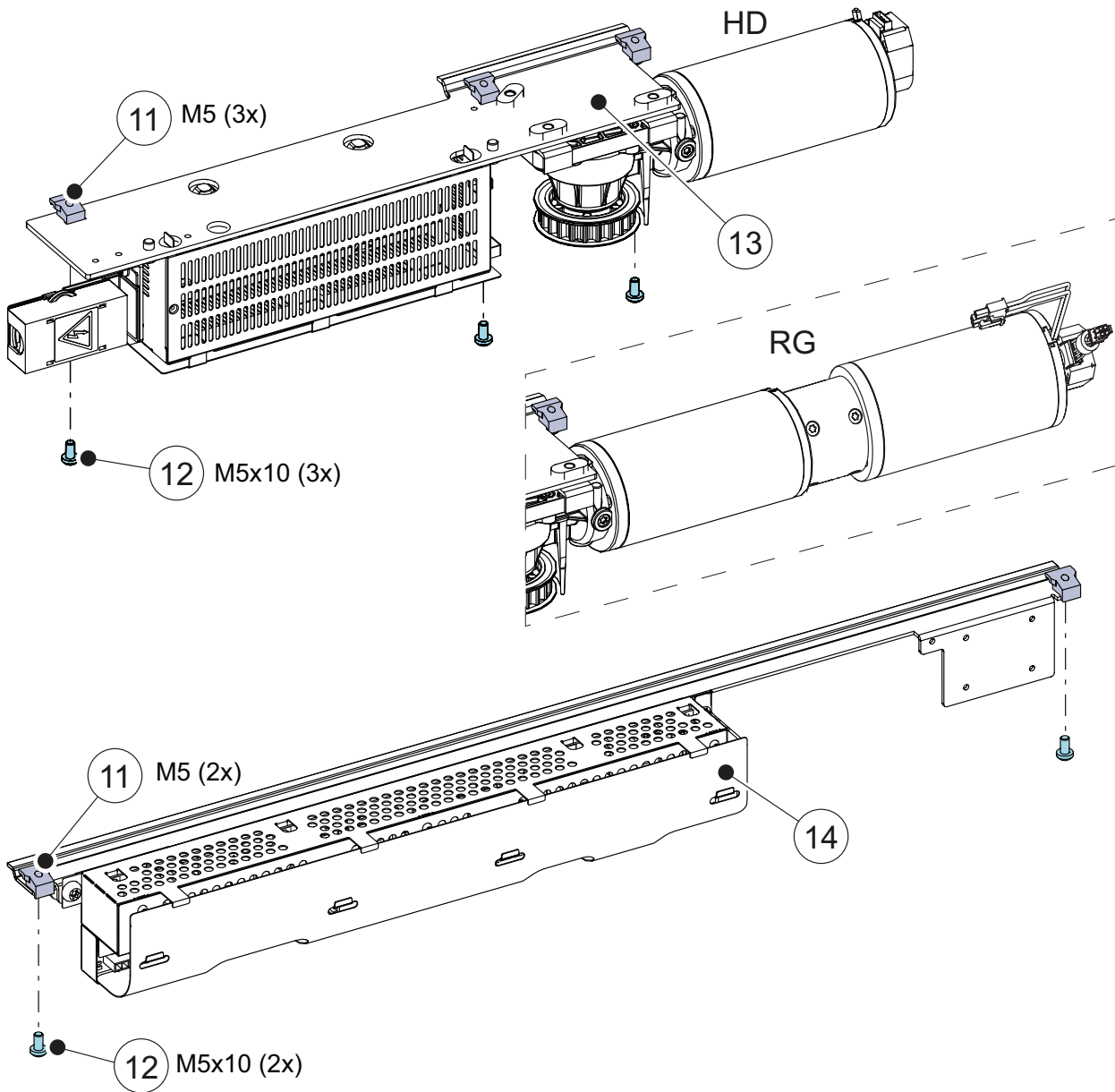
- 40 Backbone assembly
- 57 Drive unit plate

- c Take off the MCU from the Backbone assembly (40), then fix it onto electronic mounting plate (58) with the original screws and washers.



- 40 Backbone assembly
58 Electronic mounting plate

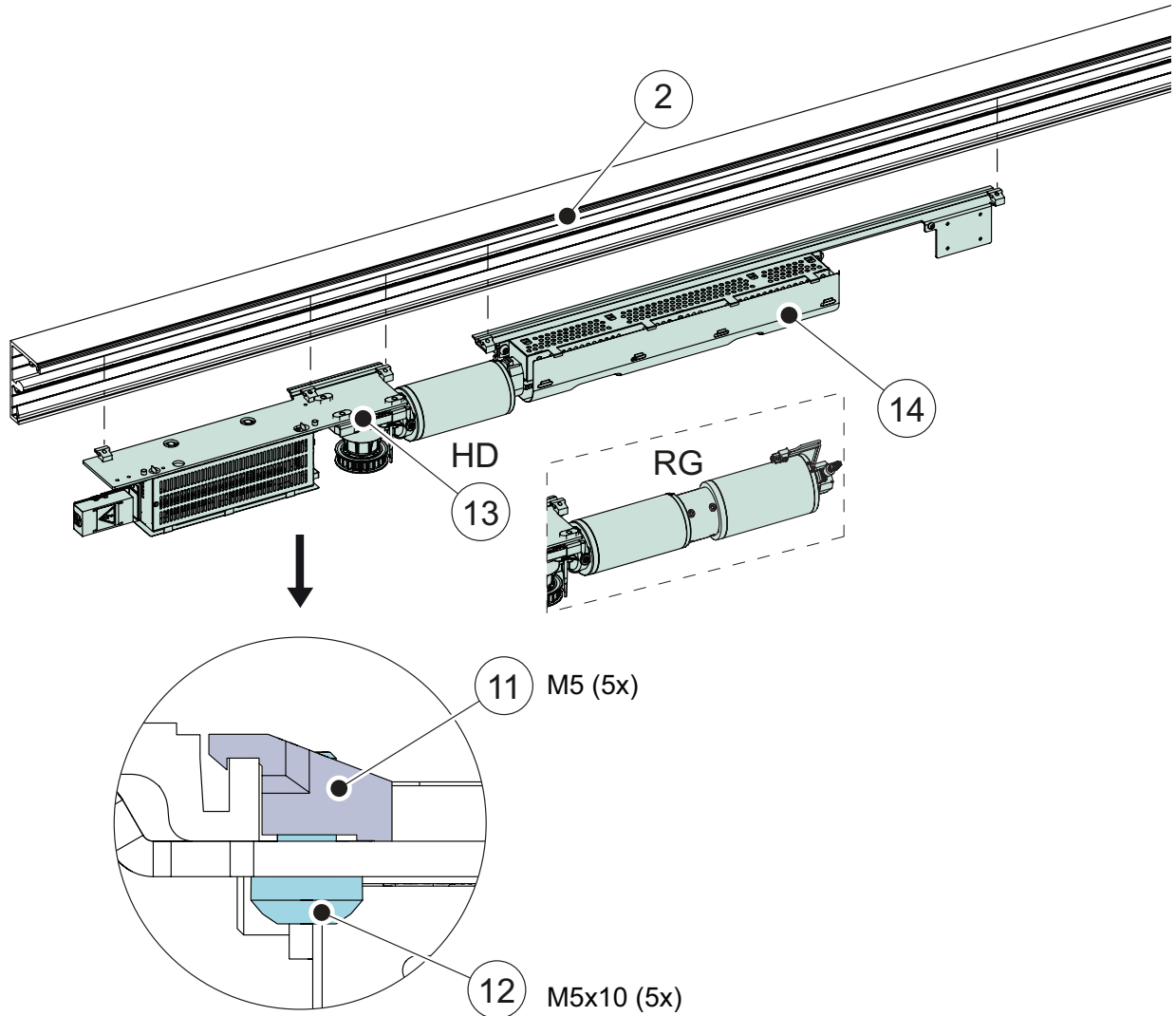
- d Fix the nuts (11) to the drive unit kit (13) and main control assembly (14) with screws (12), but do not tighten the screws (12).



- 11 Nut
- 12 Screw
- 13 Drive unit kit (HD or RG)
- 14 Main control assembly

4.2.5 Fix the drive unit kit and the main control assembly

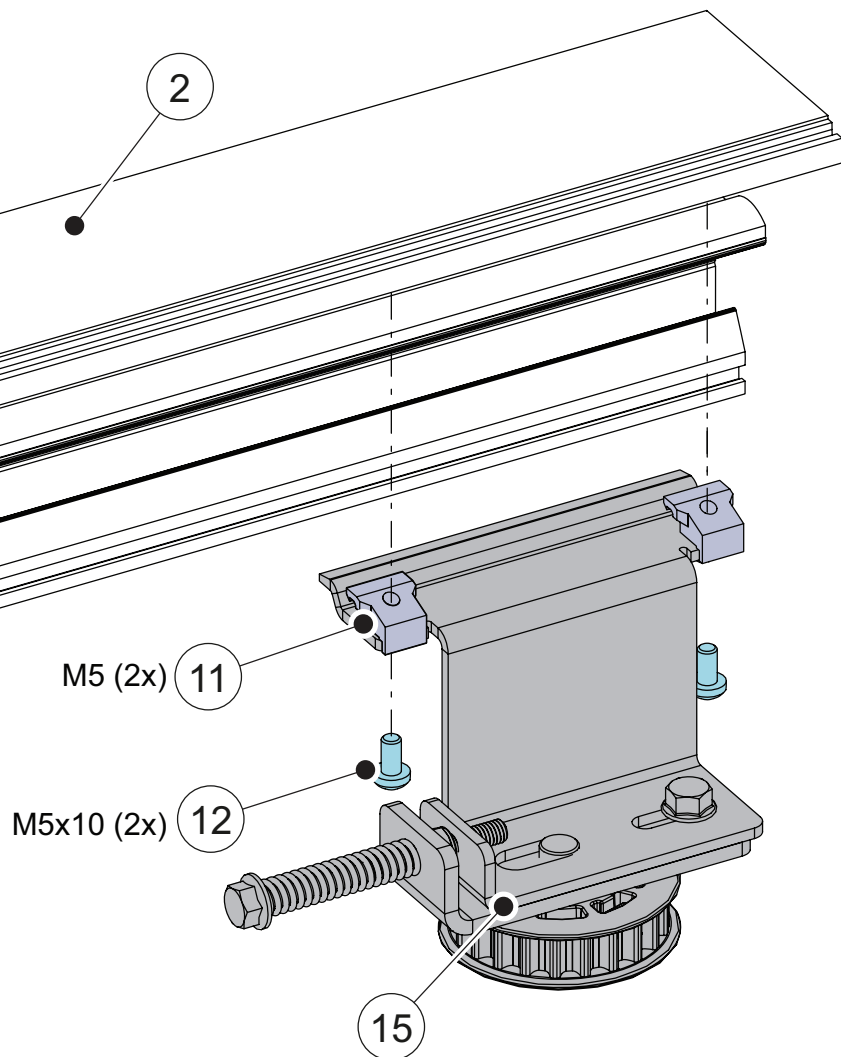
- a Lift the drive unit kit (13) and main control assembly (14) to the beam (2), Then tighten the screws (12) with a **torque of 6 Nm**.



- 2 Beam
- 11 Nut
- 12 Screw
- 13 Drive unit kit (HD or RG)
- 14 Main control assembly

4.2.6 Fix the tension wheel assembly

- a Fix the nuts (11) to the tension wheel assembly (15) with screws (12), but do not tighten the screws (12).
Lift the tension wheel assembly (15) to the beam (2), do not tighten the screws (12) fully, so it shall be able to slide along the beam (2).
- b The position of the tension wheel assembly (15) should be as close as possible to the drive unit, but make sure that the tension wheel assembly (15) will not interfere with the door carriage when the door is fully opened.

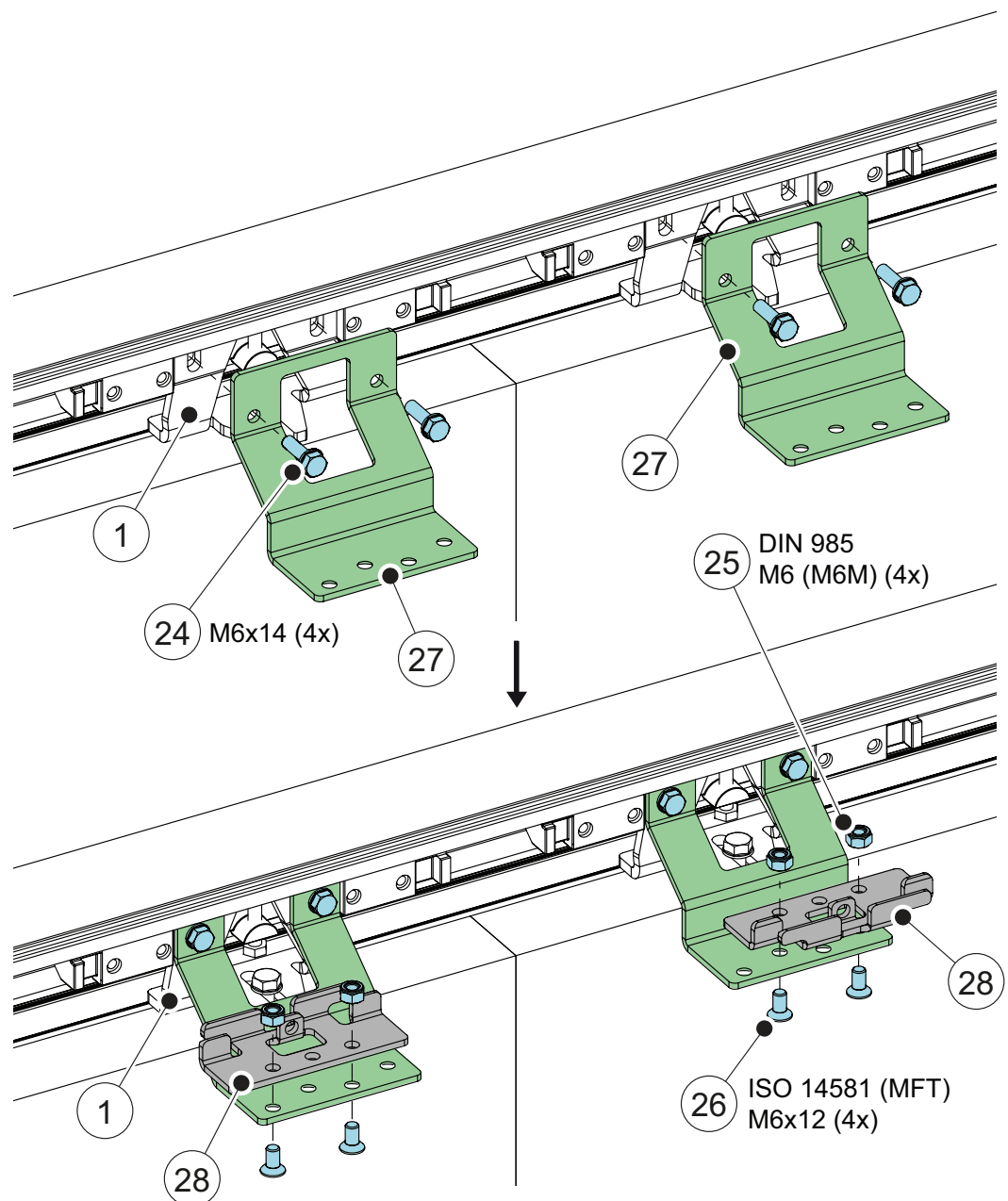


- 2 Beam
- 11 Nut
- 12 Screw
- 15 Tension wheel assembly

4.2.7 Fix the transmission brackets

- a Unscrew the existing screws (24), fix the transmission brackets (27) and the universal transmission brackets (28) to the door carriages (1) with the screws (24) and (26).

Note! The door leaves should be held firmly when unscrew the the existing screws (24) on the door carriers (1).

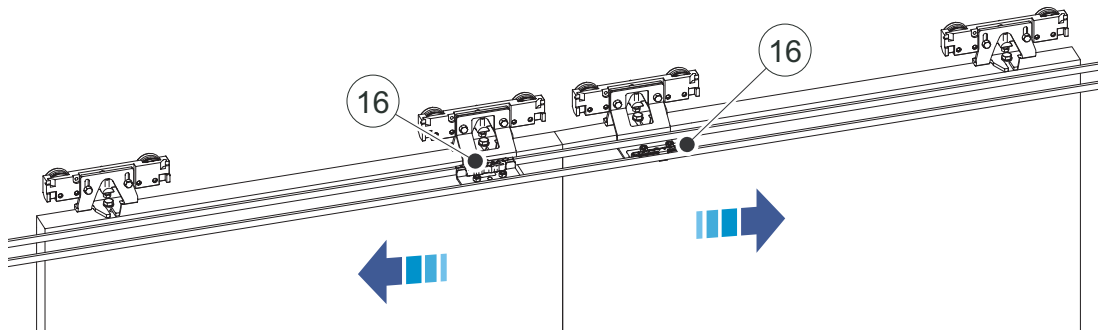


- 1 Door carriage
- 24 Existing screw
- 25 Nut
- 26 Screw
- 27 Transmission bracket
- 28 Universal transmission bracket

4.2.8 Placement of the transmission brackets

Bi-parting opening

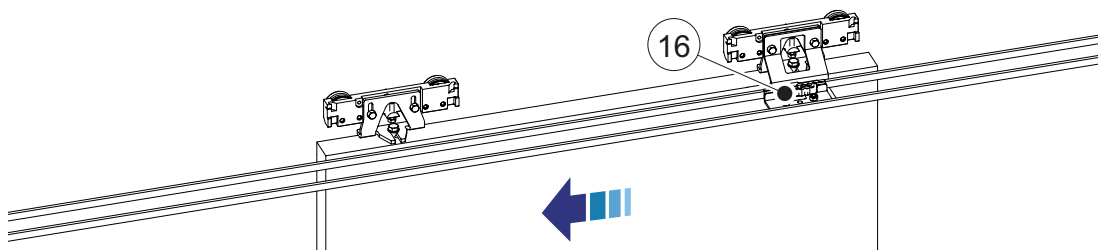
The transmission bracket (16) on the left door leaf shall be connected to the inner belt.
The transmission bracket (16) on the right door leaf shall be connected to the outer belt.



16 Transmission bracket

Single left opening

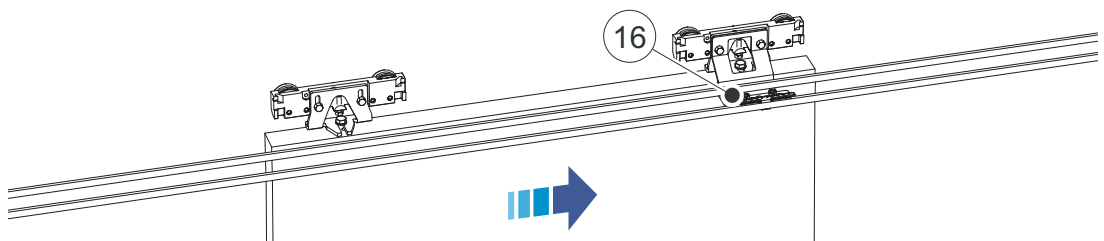
The transmission bracket (16) shall be connected to the inner belt.



16 Transmission bracket

Single right opening

The transmission bracket (16) shall be connected to the outer belt.

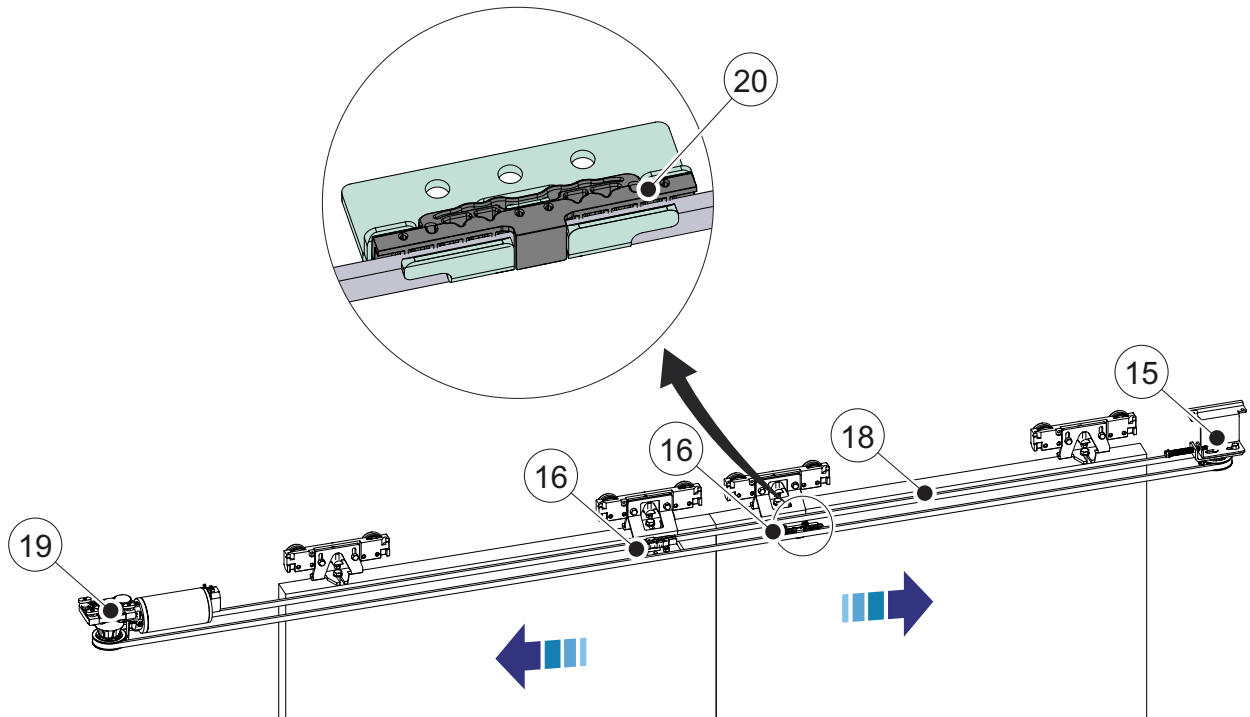


16 Transmission bracket

4.2.9 Attachment of the tooth belt

- a Cut the tooth belt (18) to the right length if needed. Route the tooth belt (18) around the drive unit pulley (19) and around the tension wheel assembly (15).
- b For bi-parting doors the belt ends are joined with the belt clamp (20) in the outer part of the tooth belt (18).
- c Click the belt clamp (20) into position.

Note! Do not adjust parameter P12!

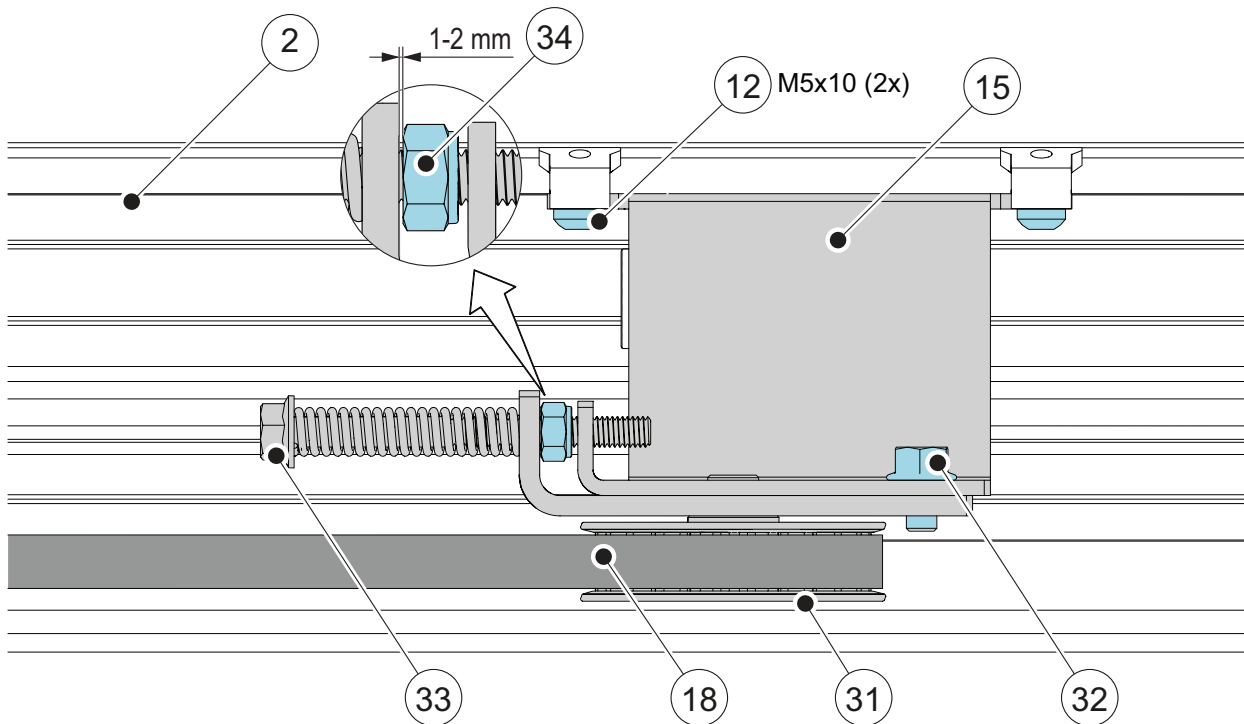


- 15 Tension wheel assembly
- 16 Transmission bracket
- 18 Tooth belt
- 19 Drive unit pulley
- 20 Belt clamp

4.2.10 Checking and adjusting the belt tension

- a Loosen the fixing screw (32) without removing it.
- b Screw the adjustment screw (33) to its outmost position.
- c Tension the tooth belt (18) by pulling the tension wheel assembly (15) by hand. Tighten the screws (12) with a **torque of 6 Nm**.
- d Tighten the adjustment screw (33) until there is a gap of approx. 1-2 mm between the lock nut (34) and the bracket according to illustration below, but not further. Be sure not to overtighten.
- e Retighten the fixing screw (32) with a **torque of 10 Nm**.

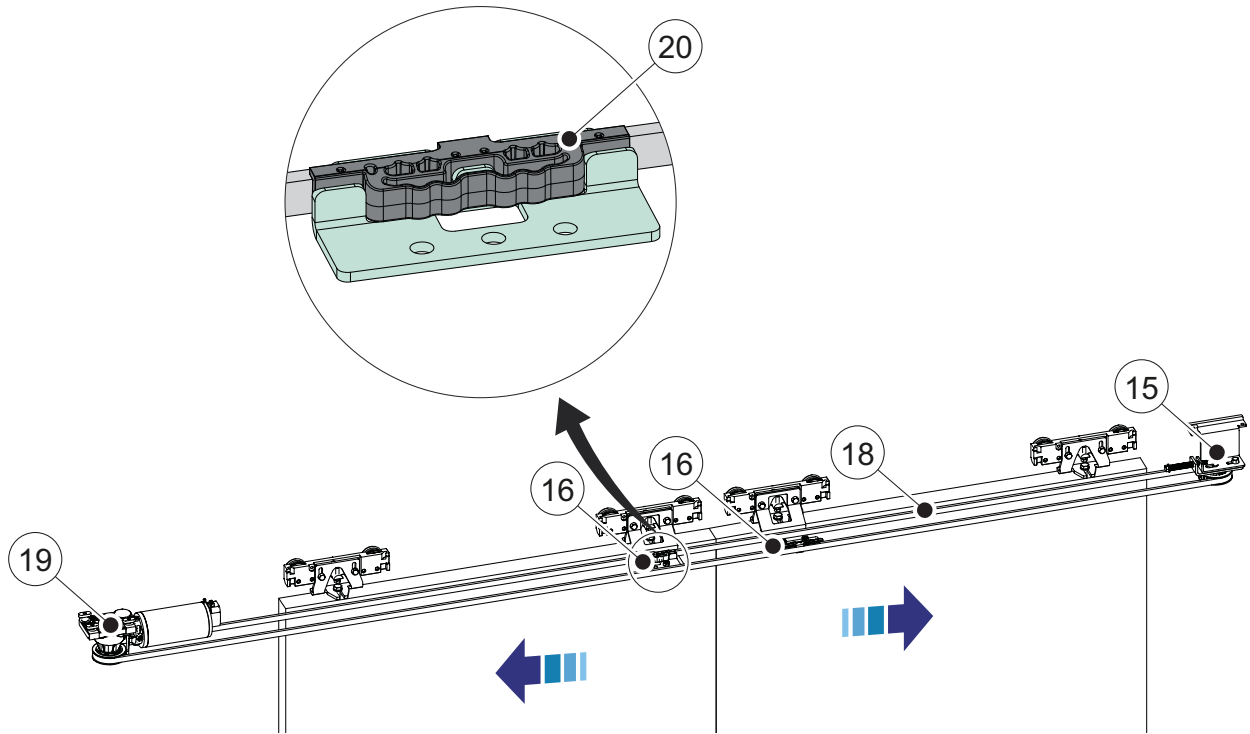
Note! Do not make any adjustment on the lock nut (34).



- 2 Beam
- 12 Screw
- 15 Tension wheel assembly
- 18 Tooth belt
- 31 Tension wheel
- 32 Fixing screw
- 33 Adjustment screw
- 34 Lock nut

4.2.11 Bi-parting operators

- a Put doors in fully closed position. Make sure that the doors trailing edge is align with the side light.
- b Click the belt clamp (20) into position in the inner transmission bracket (16).
- c Check door panels for proper centering in the fully closed and opened positions.



- 15 Tension wheel assembly
- 16 Transmission bracket
- 18 Tooth belt
- 19 Drive unit pulley
- 20 Belt clamp

4.2.12 Attachment of slack reducer

Attach the slack reducer between the eighth and ninth belt tooth on each side of the low transmission bracket. If two slack reducers are needed put the second slack reducer in the same way under the upper transmissions bracket.

Note! Slack reducer not needed if belt lock equipped.

Single doors

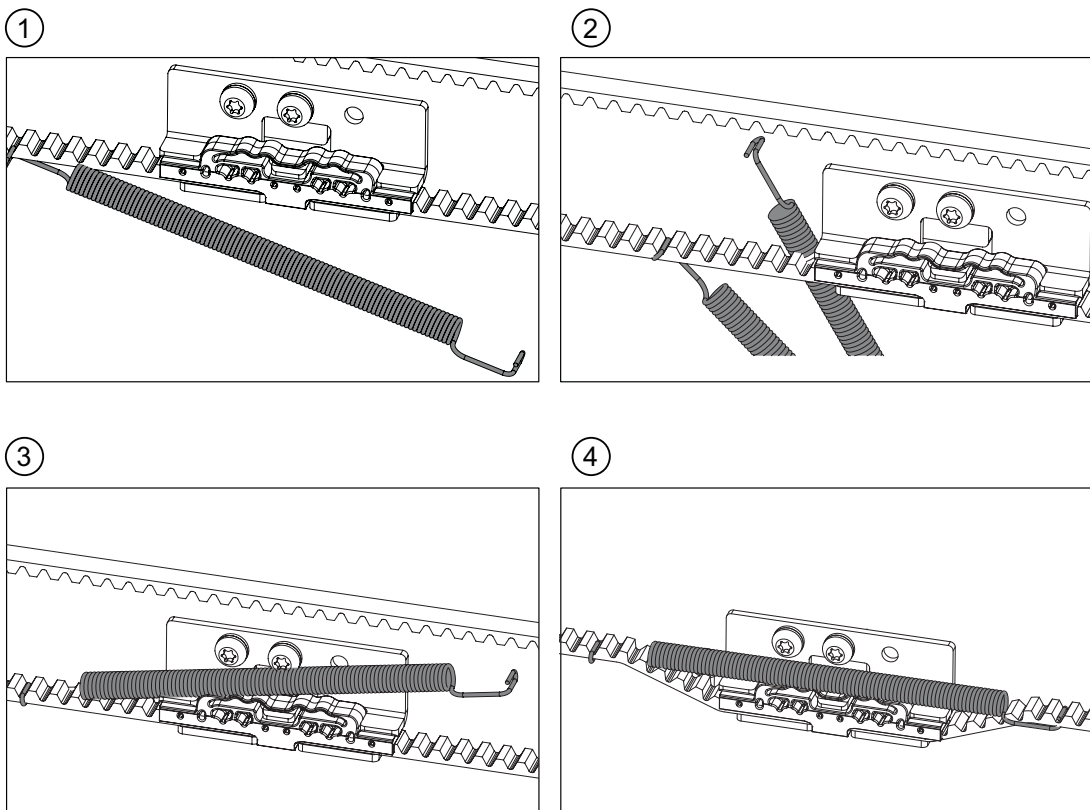
If the belt length is more than 4700 mm, there shall be one slack reducer.

Double doors

If the belt length is more than 5700 mm, there shall be two slack reducers.

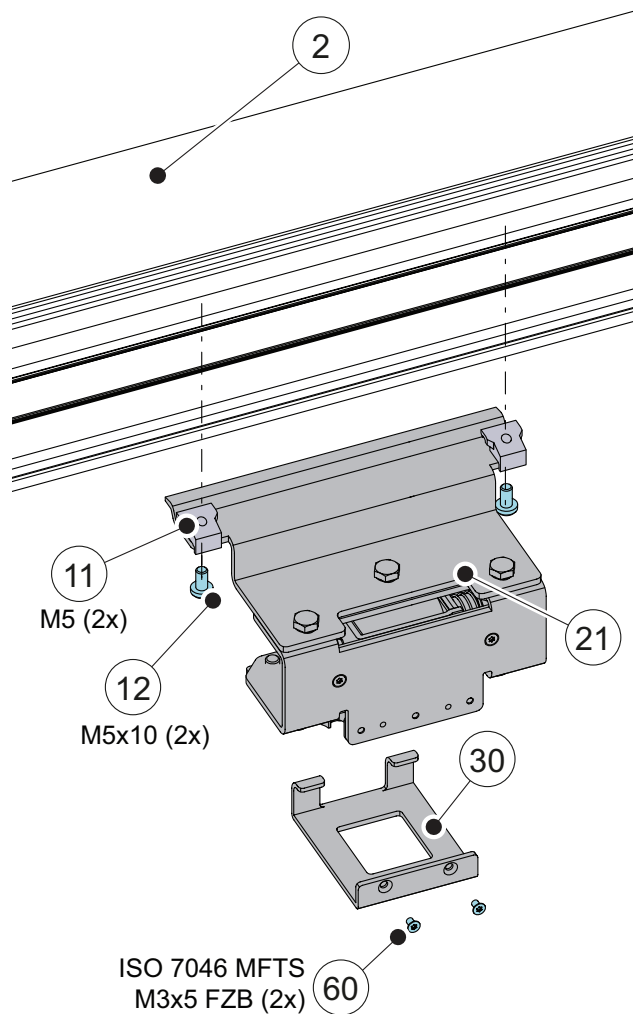
In all other cases

In all other cases, then above, there will not be any slack reducers in the operator.



4.2.13 Install the belt lock (KSFB3LOCK) (option)

- a Fix the nuts (11) to the belt lock (21) with screws (12), but do not tighten the screws (12). Lift the tooth belt lock (21) to the beam (2), then tighten the screws (12) with a **torque of 6 Nm**.
- b Fix the belt to belt lock (21).
- c Fix the belt guide (30) to the belt lock (21) with the screws (60).



- 11 Nut
- 12 Screw
- 21 Belt lock
- 30 Belt guide
- 60 Screw

For electrical connection, start up and parameter setting, please refer to DAS200 Installation Manual using the following QR code.

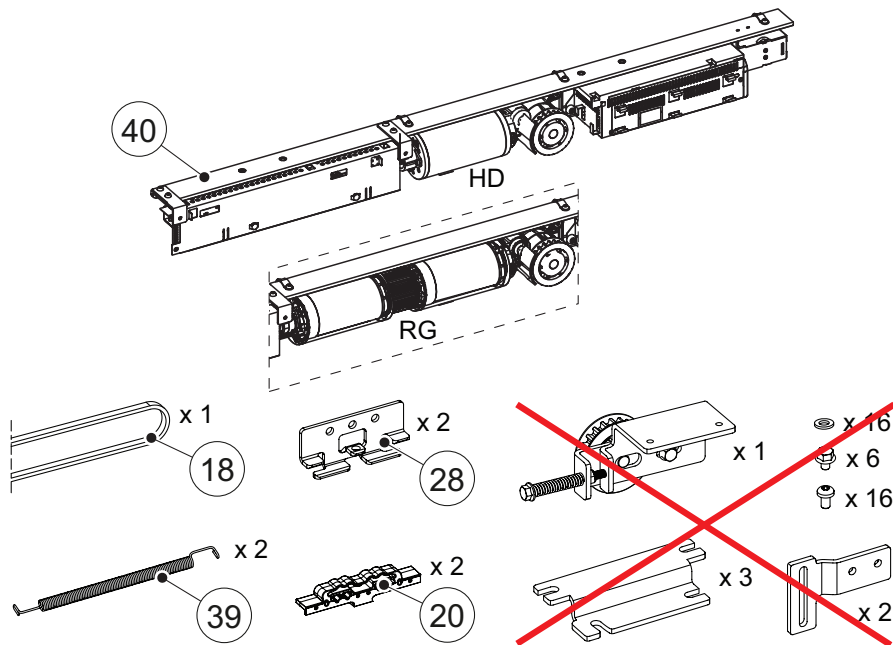


<https://www.ditecentrematic.com/Entrematic/ditecentrematicCOM/QR/Multilanguages/DAS200/DitecDAS200.pdf>

4.3 KS800BGZ additional bracket kit for GEZE Slimdrive SL NT

4.3.1 Preparing the components

- Components of KS200



18 Tooth belt

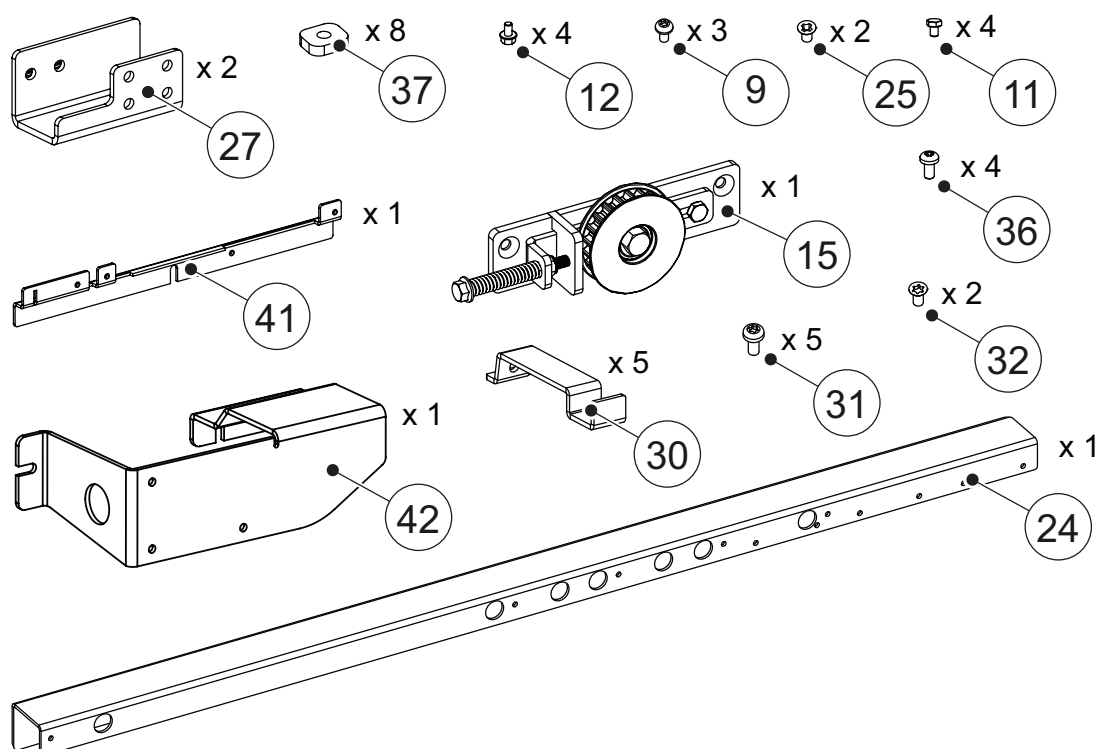
20 Belt clamp

28 Universal transmission bracket

39 Slack reducer (Not needed if belt lock equipped)

40 Backbone assembly

- Components of GEZE Slimdrive

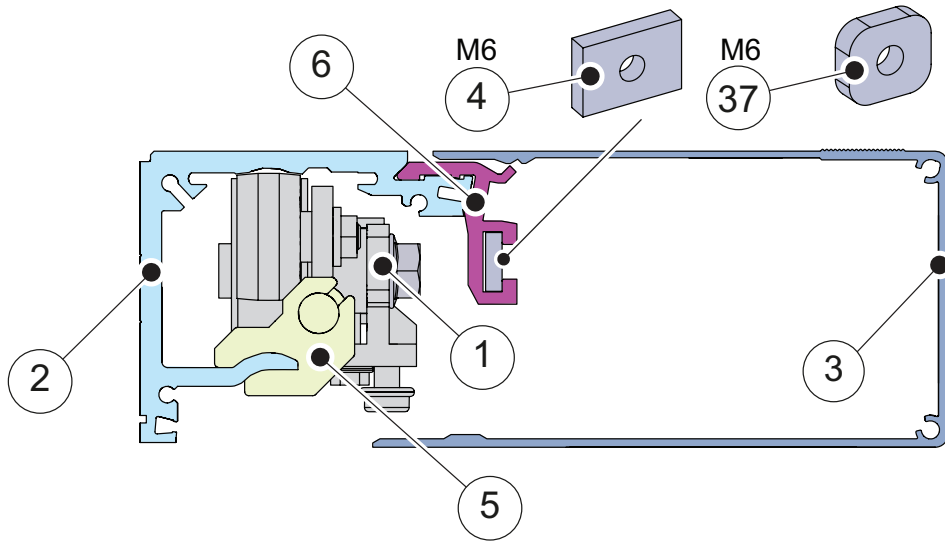


- | | | | |
|----|--|----|------------------------------|
| 9 | Screw: DIN 7500 M4x6
(Use them to replace if needed.) | 30 | Cable bracket |
| 11 | Screw: ISO 4014 (M6S) M6x8 | 31 | Screw: ISO 14585 ST 4.2x9.5 |
| 12 | Screw: DIN 6921 (M6SF) M6x10 | 32 | Screw: ISO 14581 (MFT) M6x12 |
| 15 | Tension wheel assembly | 36 | Screw: DIN 7500 M5x10 |
| 24 | Mounting plate | 37 | Nut: M6 |
| 27 | Transmission bracket | 41 | PSU bracket |
| | | 42 | Drive motor mounting plate |

4.3.2 Preparing

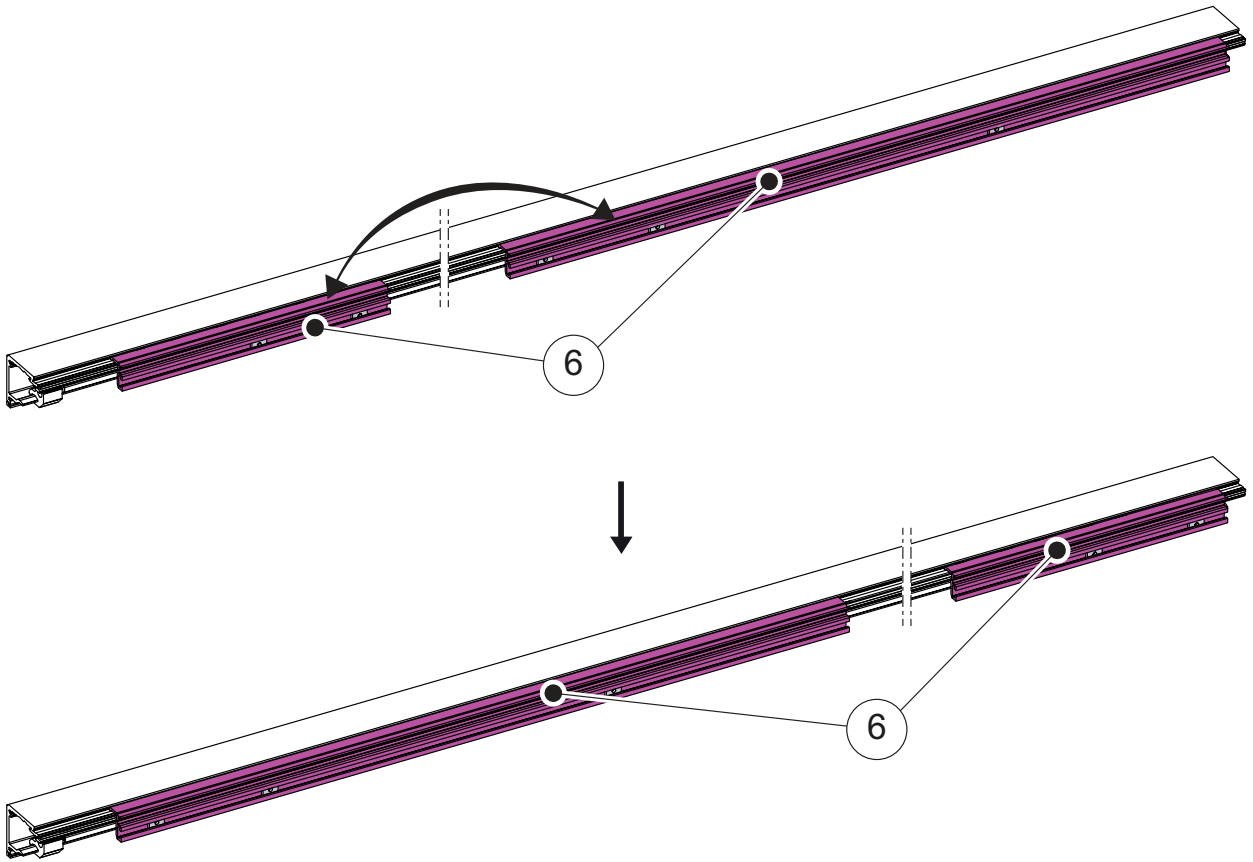
- a Dismount the original drive system, following components should be retained: door carriages (1), beam (2), cover set (3), square nuts (4), door stops (5) and extension beams (6).

Note! If there are not enough square nuts (4), use the nuts (37) to replace.



- 1 Door carriage
- 2 Beam
- 3 Cover set
- 4 Square nut
- 5 Door stop
- 6 Extension beam
- 37 Nut

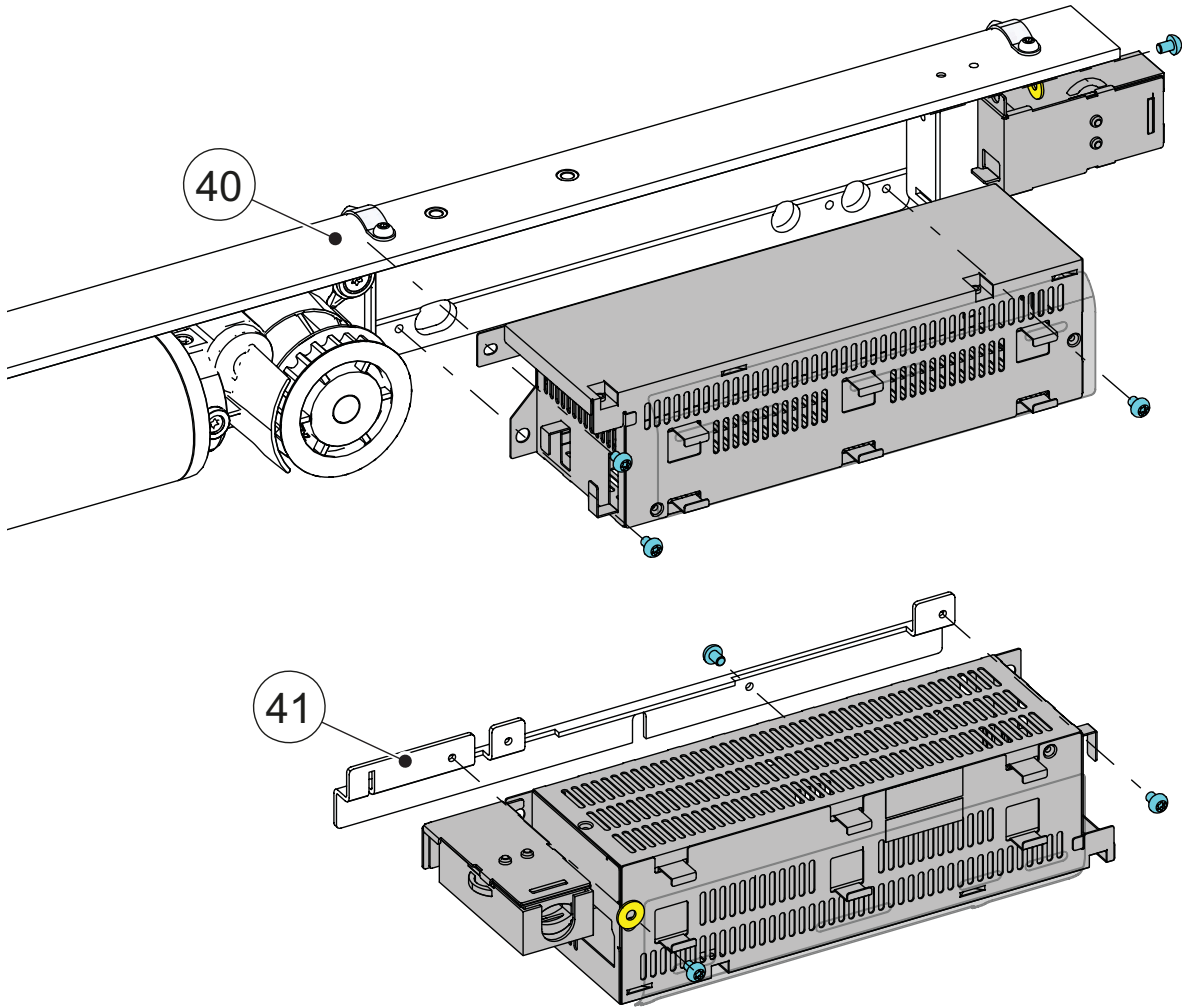
- 4.3.3 Exchange the extension beams
- a Exchange the extension beams (6).



6 Extension beam

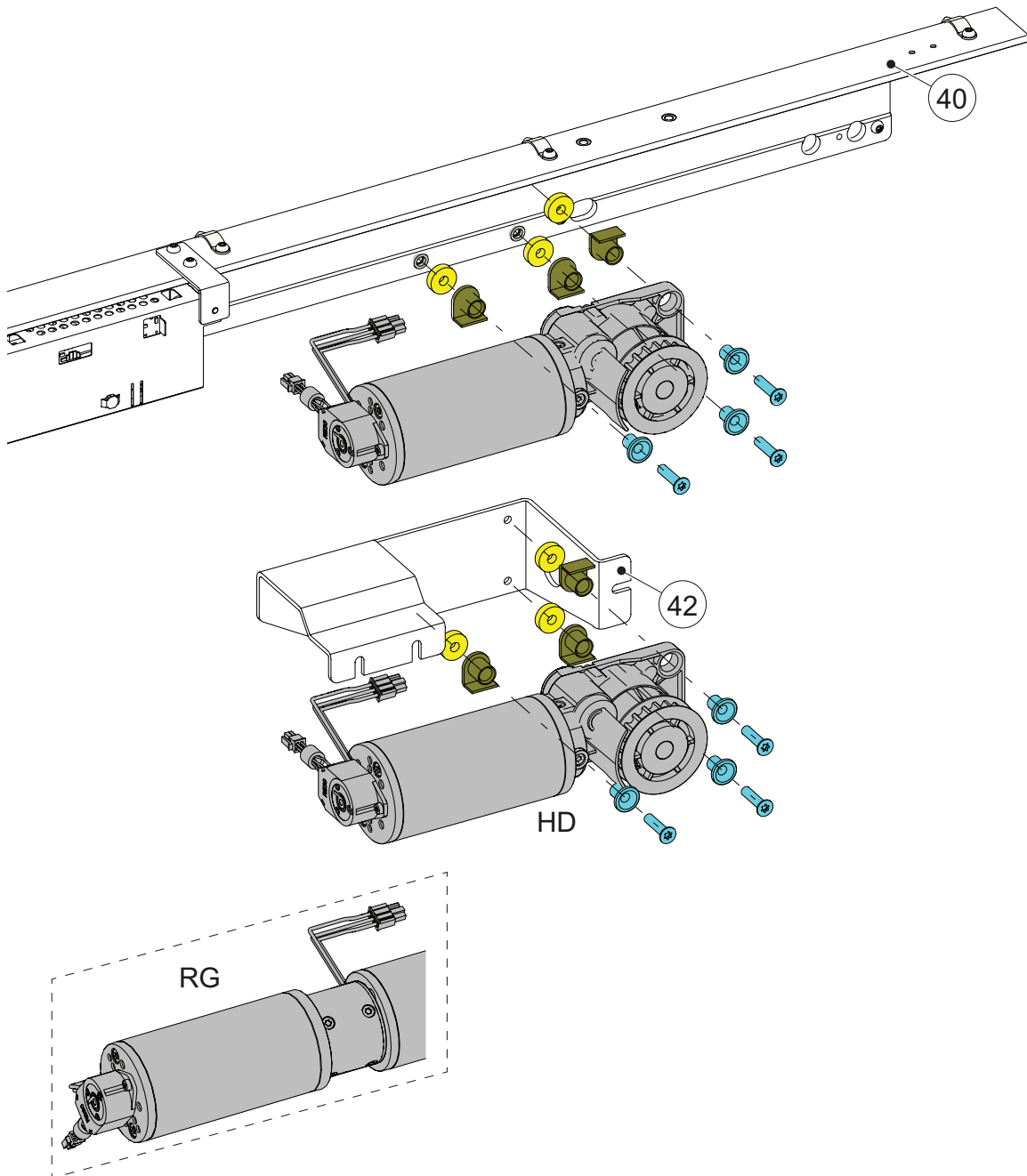
4.3.4 Fix the PSU (power supply unit) and drive unit kit

- a Take off the PSU from the Backbone assembly (40), then fix it onto PSU bracket (41) with the original screws and washers.



- 40 Backbone assembly
- 41 PSU bracket

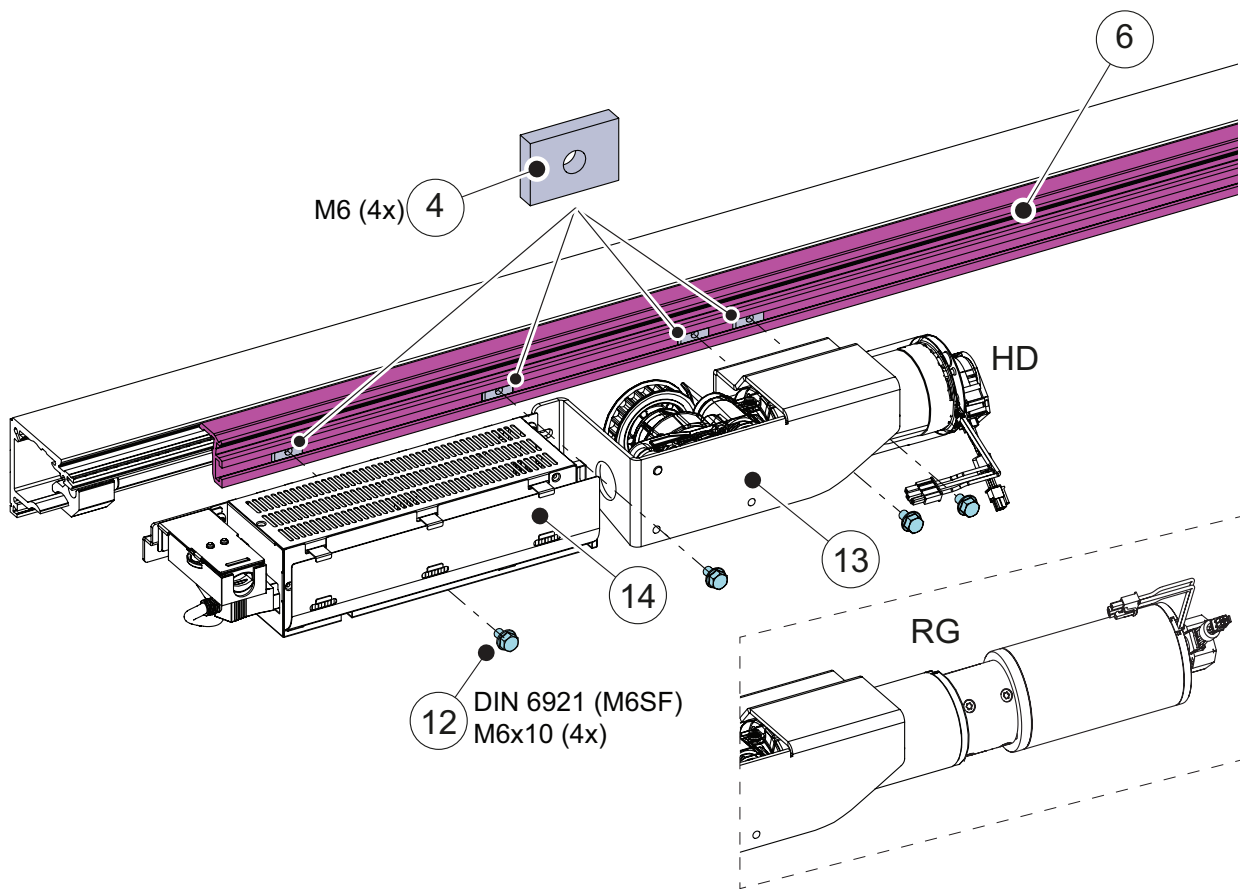
- b Take off the drive unit from the Backbone assembly (40), then fix it onto drive motor mounting plate (42) with the original screws, washers and other components.



40 Backbone assembly

42 Drive motor mounting plate

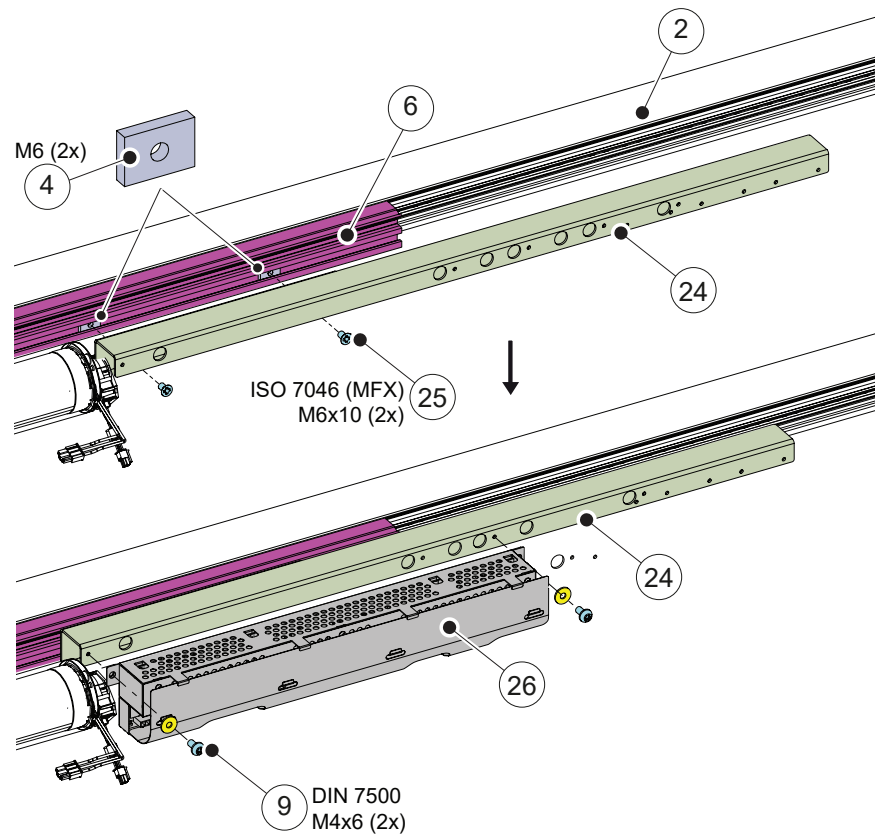
- c Fix the PSU (14) and the drive unit kit (13) onto the extension beam (6) with square nuts (4) and screws (12). Then tighten the screws (12) with a **torque of 10 Nm**.



- 4 Square nut
- 6 Extension beam
- 12 Screw
- 13 Drive unit kit (HD or RG)
- 14 PSU

4.3.5 Fix the mounting plate and MCU (control unit)

- a Fix the mounting plate (24) to the extension beam (6) with square nuts (4) and screws (25), then fix the MCU (26) onto the mounting plate (24) with the original screws (9) and washers.

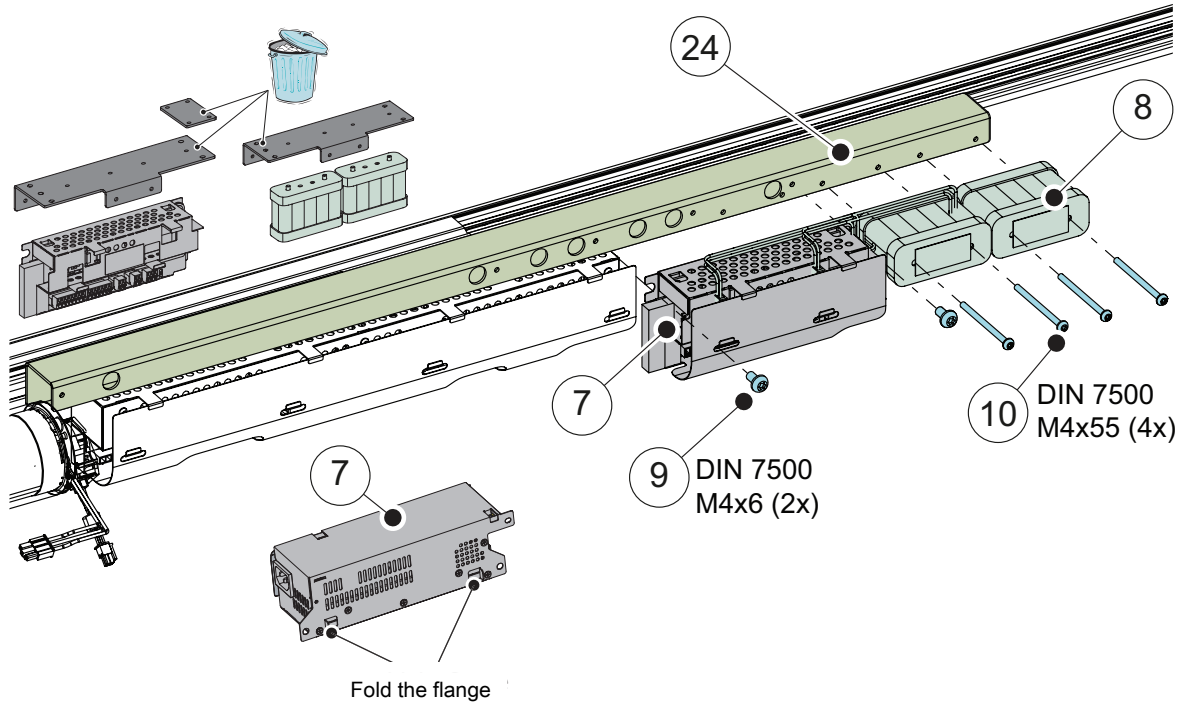


- | | | | |
|---|----------------|----|----------------------------|
| 2 | Beam | 24 | Mounting plate |
| 4 | Square nut | 25 | Screw |
| 6 | Extension beam | 42 | Drive motor mounting plate |
| 9 | Screw | | |

4.3.6 IOU (KS902MP) and the battery (KS902BAT2) installation

Note! The IOU must be selected when using bi-stable lock.

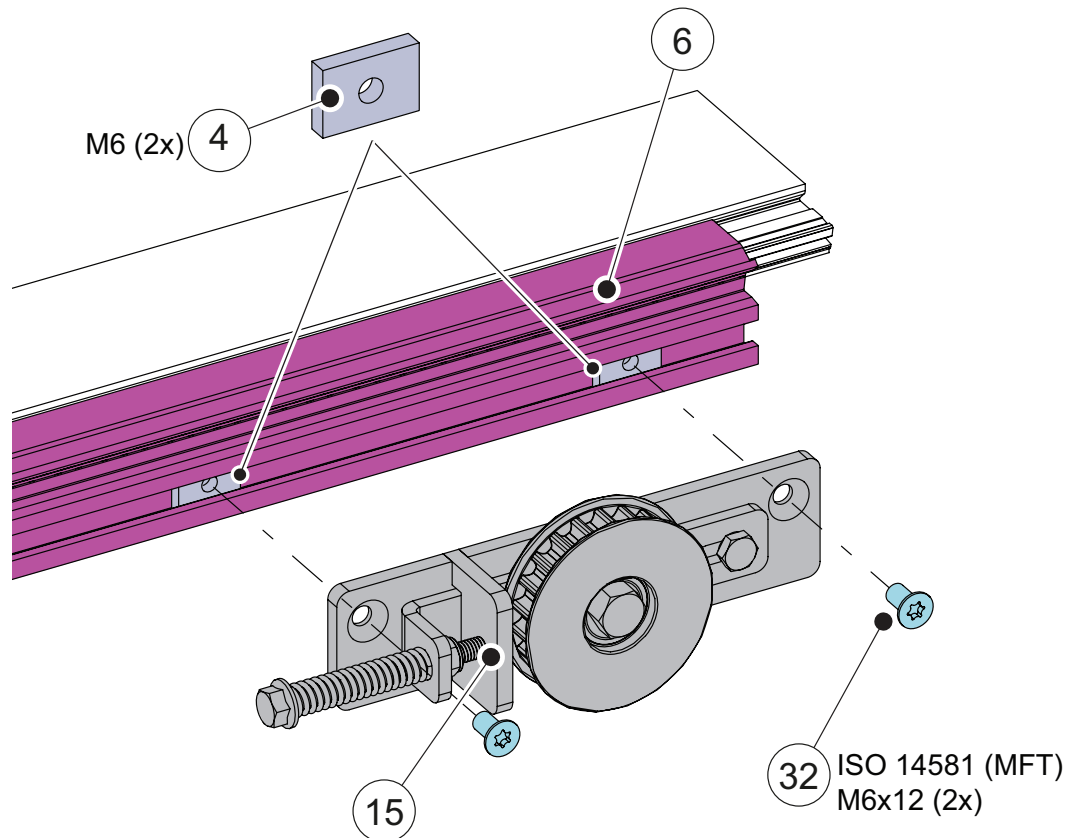
- a Remove the brackets for the IOU and battery.
- b Fix the IOU (7) and the battery (8) to the mounting plate (24) with screws (9) and (10).



- 7 IOU (KS902MP)
- 8 Battery (KS902BAT2)
- 9 Screw
- 10 Screw
- 24 Mounting plate

4.3.7 Fix the tension wheel assembly

- a Fix the tension wheel assembly (15) to the extension beam (6) with the square nuts (4) and the screws (32). Do not tighten the screws (32) fully, it shall be possible to slide the tension wheel (15) along the extension beam (6).
- b The position of the tension wheel assembly (15) should be as close as possible to the drive unit, but make sure that the tension wheel assembly (15) will not interfere with the transmission bracket when the door is fully opened.

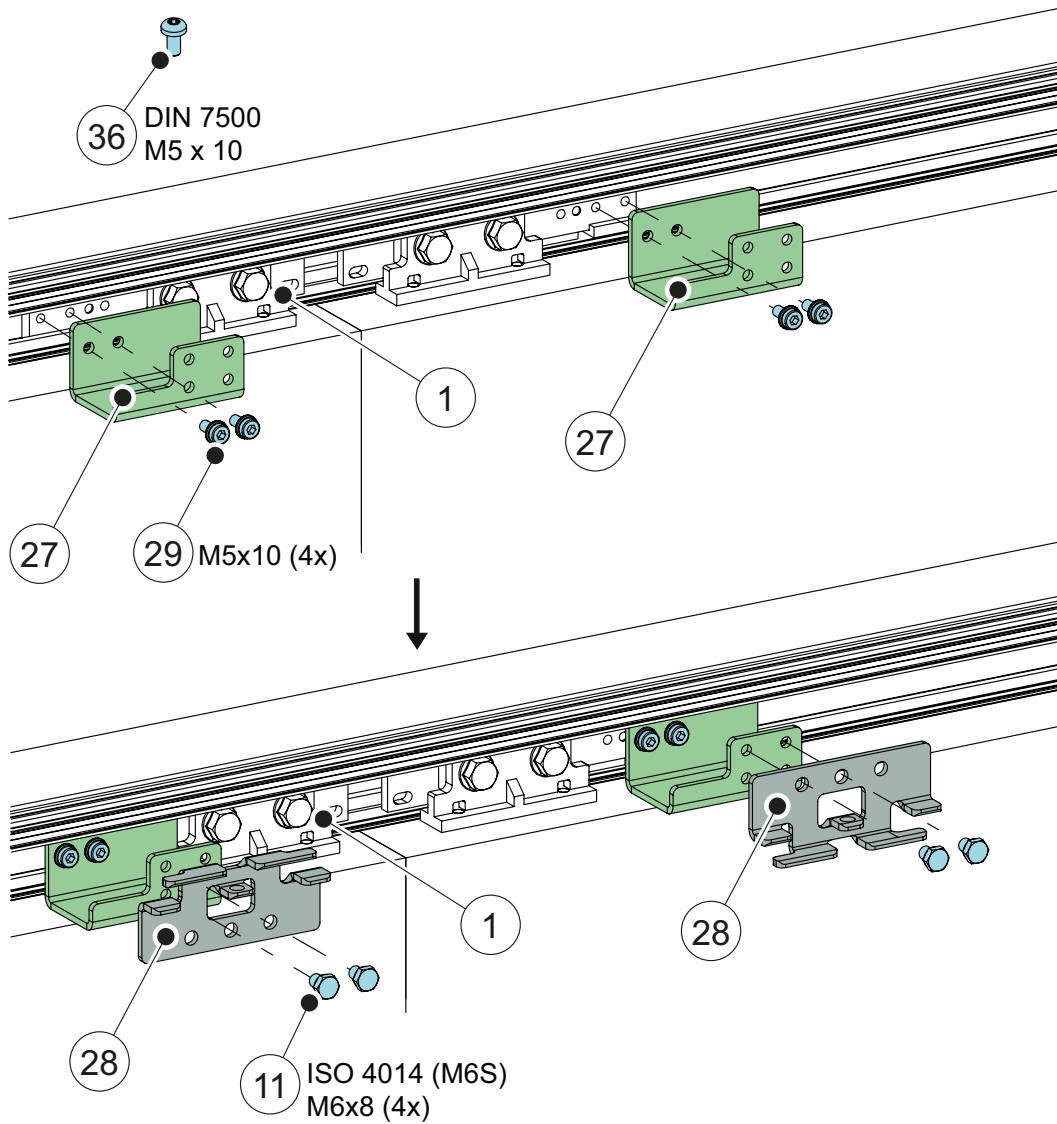


- 4 Square nut
- 6 Extension beam
- 15 Tension wheel assembly
- 32 Screw

4.3.8 Fix the transmission brackets

- a Unscrew the existing screws (29), fix the transmission brackets (27) and the universal transmission brackets (28) to the door carriages (1) with the existing screws (29) and the screws (11).

Note! If there are not enough existing screws (29), use the screws (38) to replace.



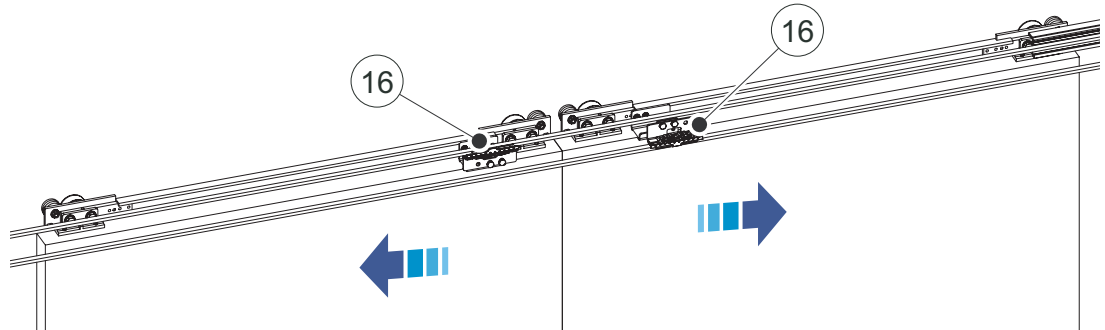
- 1 Door carriage
- 11 Screw
- 27 Transmission bracket
- 28 Universal transmission bracket
- 29 Existing screw
- 36 Screw

4.3.9 Placement of the transmission brackets

Bi-parting opening

The transmission bracket (16) on the left door leaf shall be connected to the upper belt.

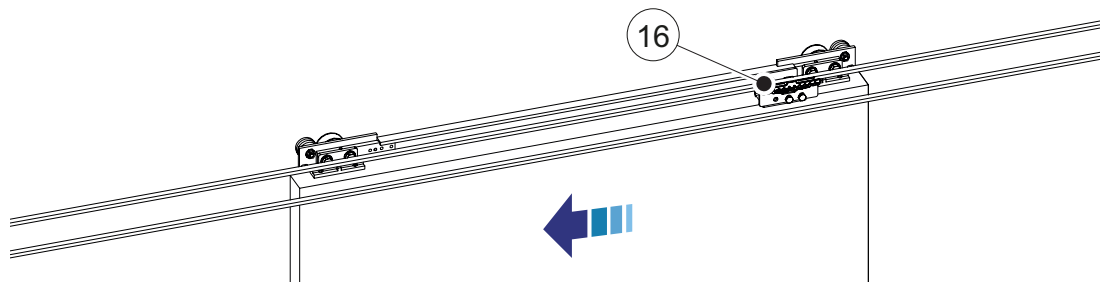
The transmission bracket (16) on the right door leaf shall be connected to the lower belt.



16 Transmission bracket

Single left opening

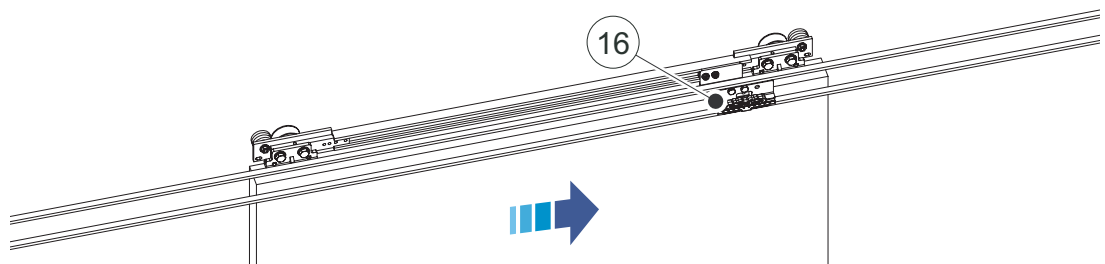
The transmission bracket (16) shall be connected to the upper belt.



16 Transmission bracket

Single right opening

The transmission bracket (16) shall be connected to the lower belt.

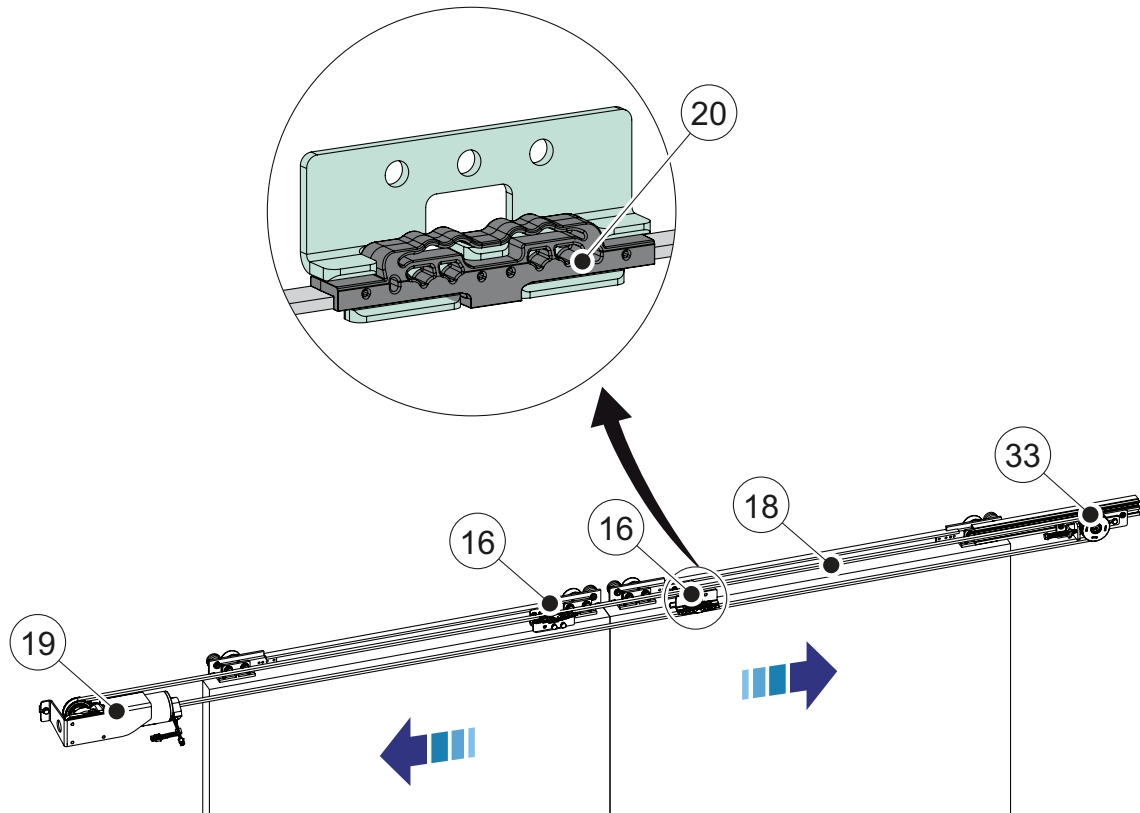


16 Transmission bracket

4.3.10 Attachment of the tooth belt

- a Cut the tooth belt (18) to the right length if needed. Route the tooth belt (18) around the drive unit pulley (19) and the tension wheel (33).
- b For bi-parting doors the belt ends are joined with the belt clamp (20) in the lower part of the tooth belt (18).
- c Click the belt clamp (20) into position.

Note! Do not adjust parameter P12!

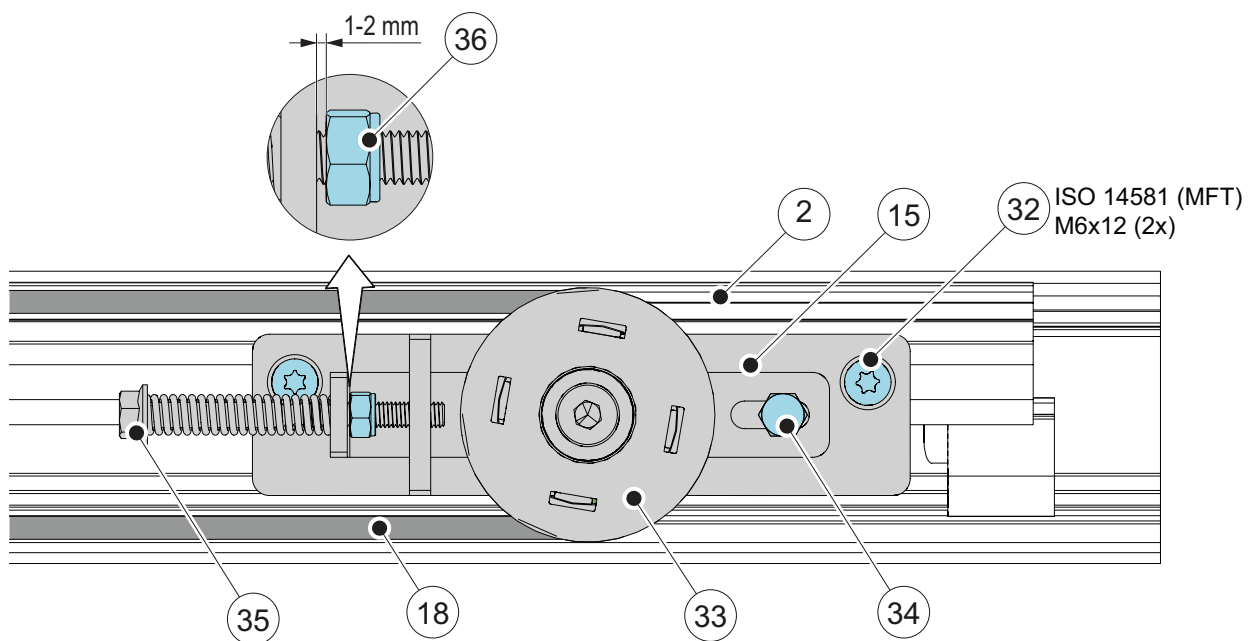


- 16 Transmission bracket
- 18 Tooth belt
- 19 Drive unit pulley
- 20 Belt clamp
- 33 Tension wheel

4.3.11 Checking and adjusting the belt tension

- a Loosen the fixing screw (34) without removing it.
- b Screw the adjustment screw (35) to its outmost position.
- c Tension the tooth belt (18) by pulling the tension wheel assembly (15) by hand. Tighten the screws (32) with a **torque of 10 Nm**.
- d Tighten the adjustment screw (35) until there is a gap of approx. 1-2 mm between the lock nut (36) and the bracket according to illustration below, but not further. Be sure not to overtighten, otherwise the adjustment screw (35) might damage the tension wheel (33).
- e Retighten the fixing screw (34) with a **torque of 10 Nm**.

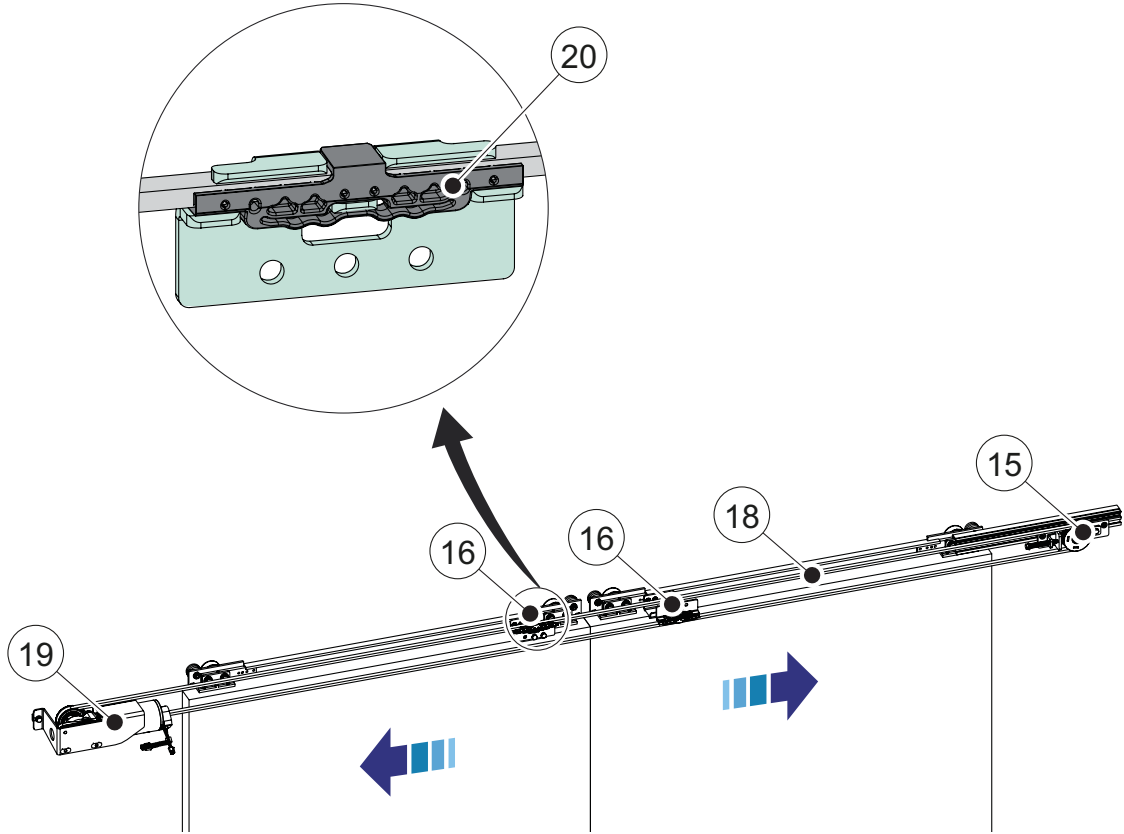
Note! Do not make any adjustment on the lock nut (36).



- 2 Beam
- 15 Tension wheel assembly
- 18 Tooth belt
- 32 Screw
- 33 Tension wheel
- 34 Fixing screw
- 35 Adjustment screw
- 36 Lock nut

4.3.12 Bi-parting operators

- a Put doors in fully closed position. Make sure that the doors trailing edge is align with the side light.
- b Click the belt clamp (20) into the transmission bracket (16) on upper.
- c Check door panels for proper centering in the fully closed and opened positions.



- 15 Tension wheel assembly
- 16 Transmission bracket
- 18 Tooth belt
- 19 Drive unit pulley
- 20 Belt clamp

4.3.13 Attachment of slack reducer

Attach the slack reducer between the eighth and ninth belt tooth on each side of the low transmission bracket. If two slack reducers are needed put the second slack reducer in the same way under the upper transmissions bracket.

Note! Slack reducer not needed if belt lock equipped.

Single doors

If the belt length is more than 4700 mm, there shall be one slack reducer.

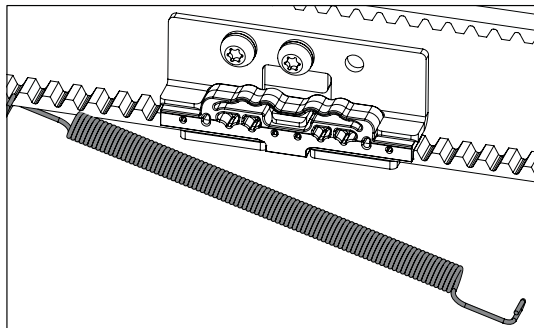
Double doors

If the belt length is more than 5700 mm, there shall be two slack reducers.

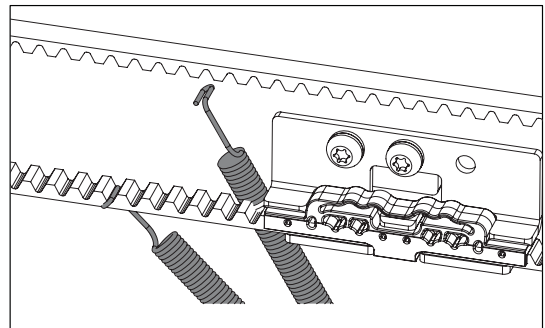
In all other cases

In all other cases, then above, there will not be any slack reducers in the operator.

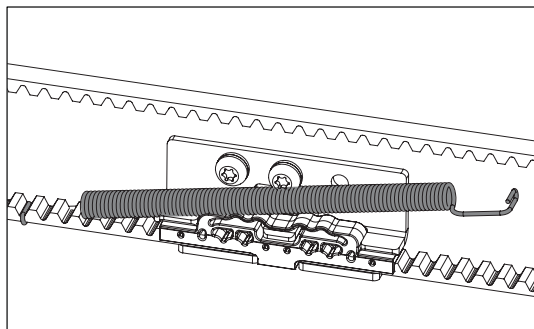
①



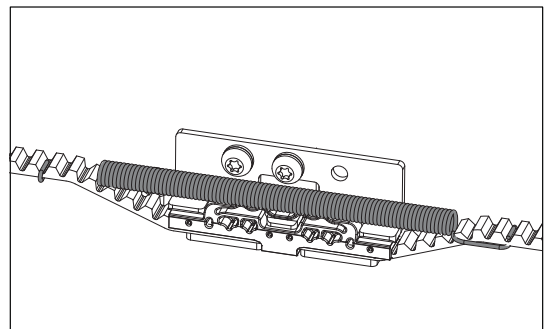
②



③



④



4.3.14 Install the belt lock (KSFB4LOCK) (option)

- a Fix the belt lock (21) to the extension beam (6) with square nuts (4) and screws (43). Then tighten the screws (43) with a **torque of 10 Nm**.

Note! * Cut the extension beam to smaller pieces.

Bi-parting

2/3 of the extension beam for backbone assembly.

1/6 of the extension beam for tension wheel.

1/6 of the extension beam for belt lock.

Left opening

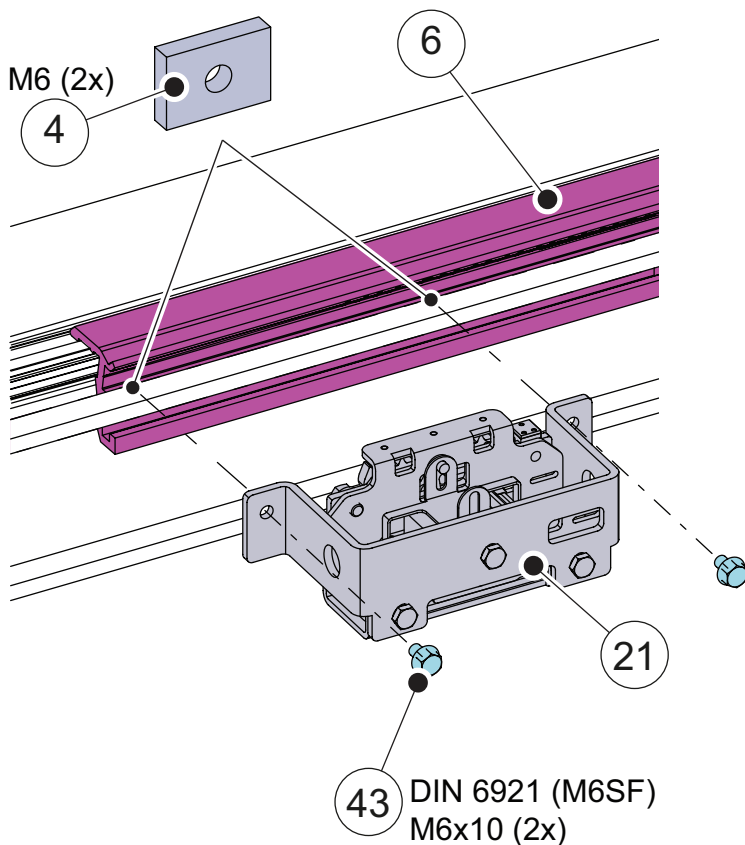
2/3 of the extension beam for backbone assembly.

1/3 of the extension beam for tension wheel and belt lock.

Right opening

2/3 of the extension beam for backbone assembly and belt lock.

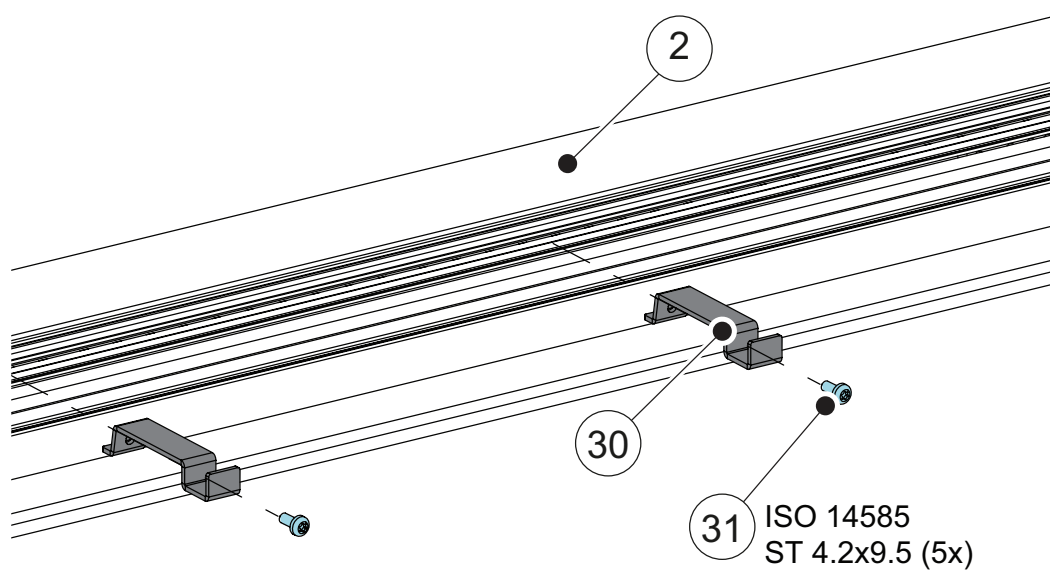
1/3 of the extension beam for tension wheel.



- 4 Square nut
- 6 Extension beam
- 21 Belt lock
- 43 Screw

4.3.15 Fix the cable bracket

- a Fix the cable brackets (30) to the beam (2) with screws (31).



- 2 Beam
30 Cable bracket
31 Screw

For electrical connection, start up and parameter setting, please refer to DAS200 Installation Manual using the following QR code.



<https://www.ditecentrematic.com/Entrematic/ditecentrematicCOM/QR/Multilanguages/DAS200/DitecDAS200.pdf>

Dítec

Entrematic Group AB, Lodjursgatan 10, SE-261 44 Landskrona, Sweden
www.entrematic.com